

# C123 Instruction Sheet

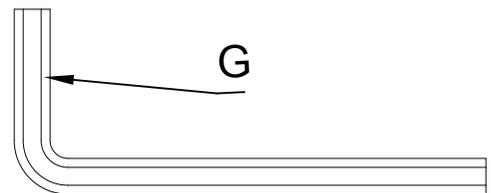
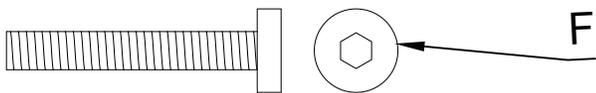
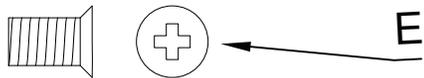
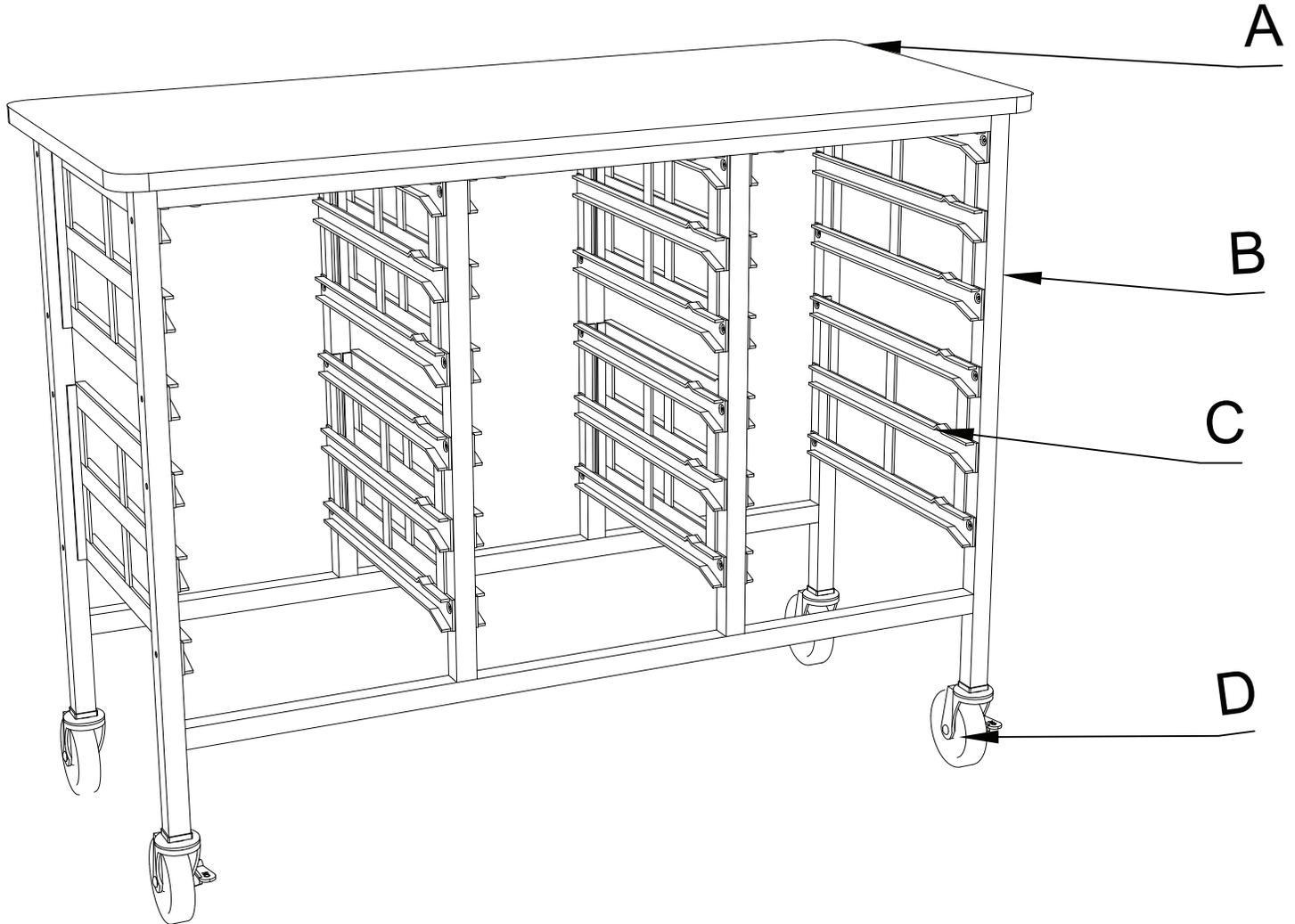
Custom Service Department  
Address: 2245 Delany Rd.  
Waukegan, IL 60087  
Phone: 847.244.1800  
800.323.4656  
Fax: 847.244.1818  
800.327.1698

## Part List:

- A. 1 - Top
- B. 2 - Legs
- C. 6 - Certwood Rail Sets
- D. 1 - Castor Pack ( 2 w/ Brake, 2 w/o Brake)
- E. 48 - M6 x 10 Flat Phillips Screws
- F. 10 - M6 x 35 Allen Head Screws

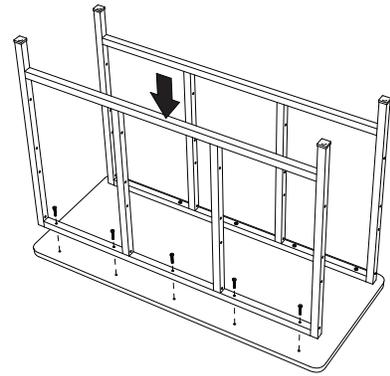
## Tools Needed:

- G. 1 - Allen Wrench (Included)
- 1 - Phillips Screw Driver

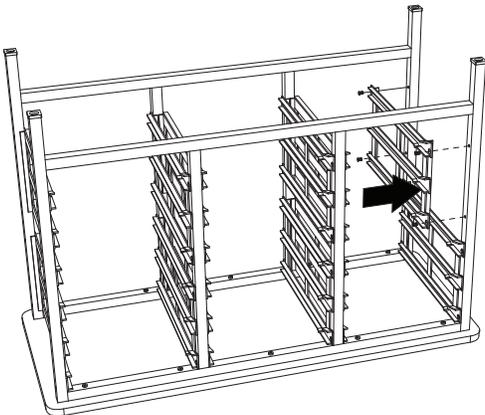


# C123 Instruction Sheet

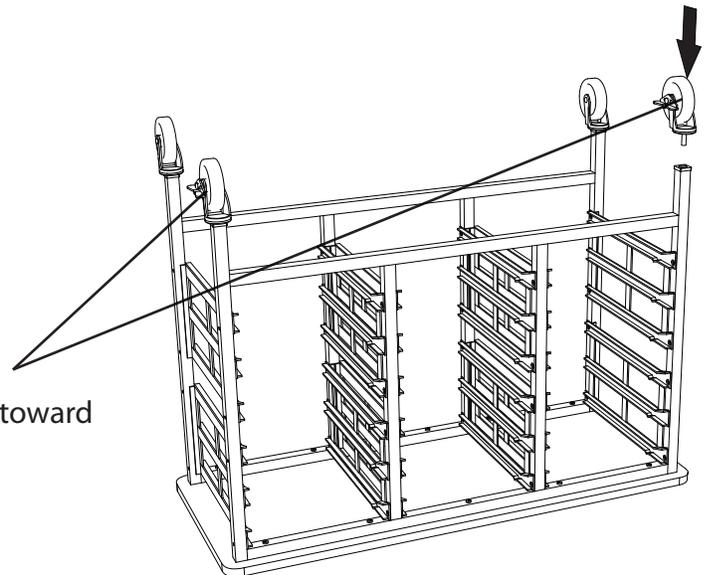
Custom Service Department  
Address: 2245 Delany Rd.  
Waukegan, IL 60087  
Phone: 847.244.1800  
800.323.4656  
Fax: 847.244.1818  
800.327.1698



Step 1: Screw legs to top with the M6 x 35 Allen Screws.

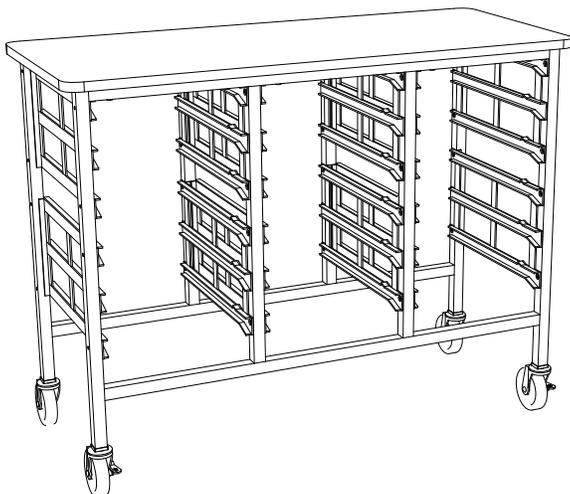


Step 2: Screw Certwood rails to the legs with M6 x 10 Flat Phillips screws.



Castors w/ Brakes toward the front

Step 3: Press Castors into the Legs.



Step 4: Insert Certwood trays into rails.