

C182 Instruction Sheet

Custom Service Department

Address: 2245 Delany Rd.

Waukegan, IL 60087

Phone: 847.244.1800

800.323.4656

Fax: 847.244.1818

800.327.1698

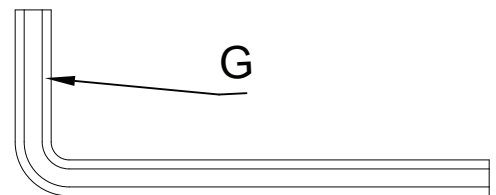
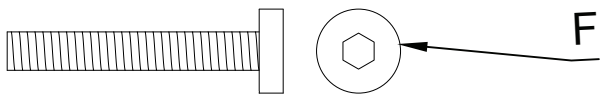
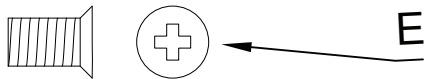
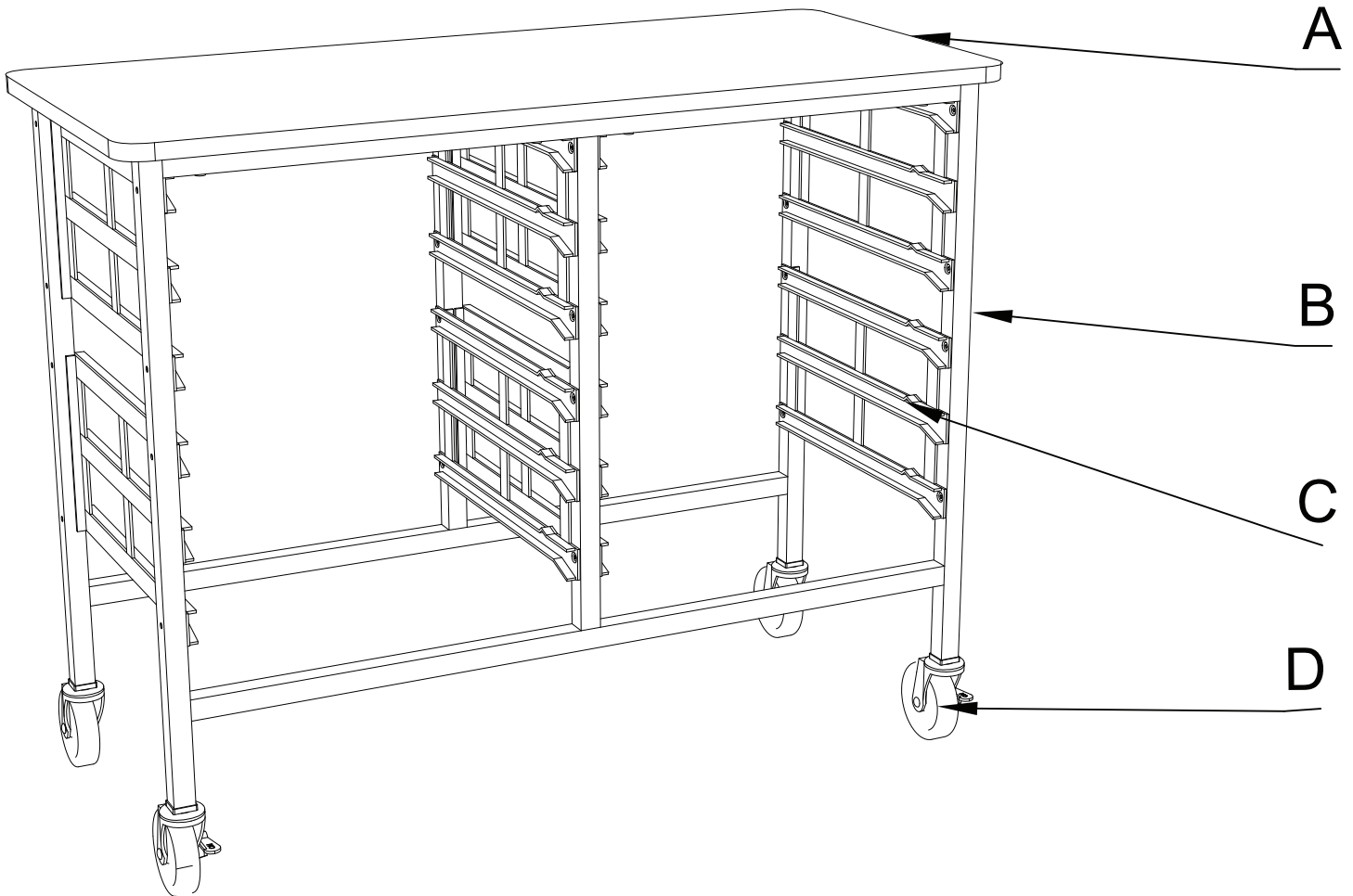
REV 2: October 2010

Part List:

- A. 1 - Top
- B. 2 - Legs
- C. 4 - Certwood Rail Sets
- D. 1 - Castor Pack (2 w/ Brake, 2 w/o Brake)
- E. 32 - M6 x 10 Flat Phillips Screws
- F. 8 - M6 x 35 Allen Head Screws

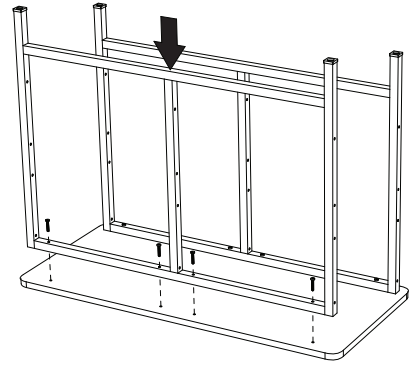
Tools Needed:

- G. 1 - Allen Wrench (Included)
- 1 - Phillips Screw Driver

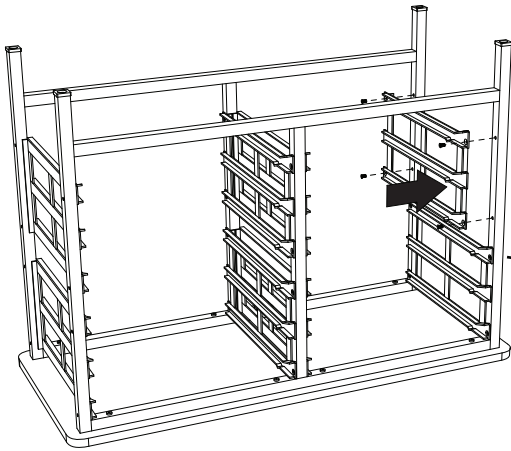


C182 Instruction Sheet

Custom Service Department
Address: 2245 Delany Rd.
Waukegan, IL 60087
Phone: 847.244.1800
800.323.4656
Fax: 847.244.1818
800.327.1698

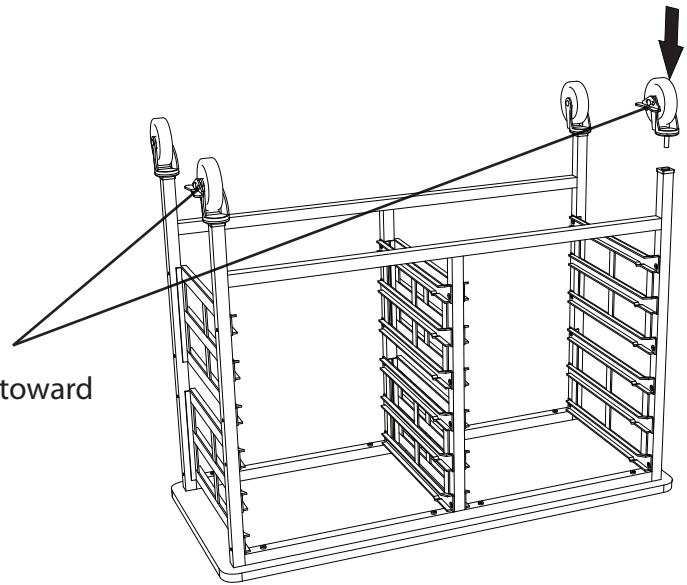


Step 1: Screw legs to top with the M6 x 35 Allen Screws.



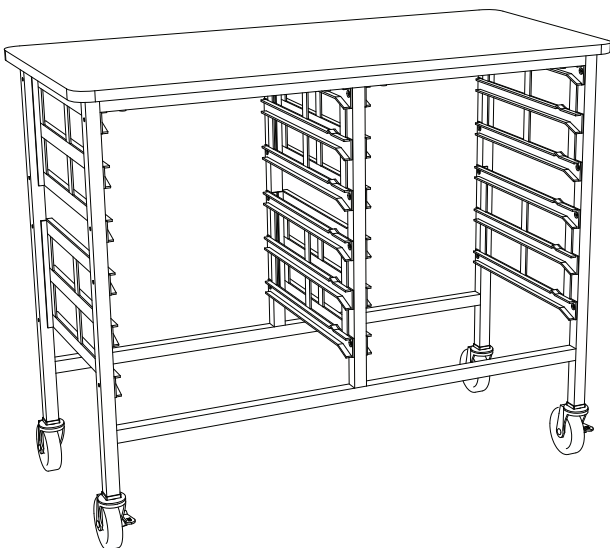
Tray Catch notch faces the top.
Rails come in a Left and Right pair.

Step 2: Screw Certwood rails to the legs with M6 x 10 Flat Phillips screws.



Castors w/ Brakes toward the front

Step 3: Press Castors into the Legs.



Step 4: Insert Certwood trays into rails.