

Instruction Sheet

Model CSC57

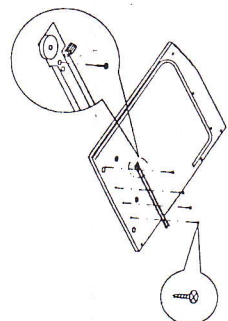


Customer Service Dept.
2245 Delany Rd
Waukegan, IL 60087
Ph: 847/244-1800 • 800/323-4656
Fax: 847/244-1818 • 800/327-1698

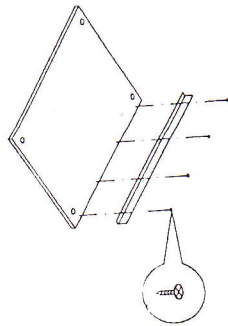


Instructions for top section.

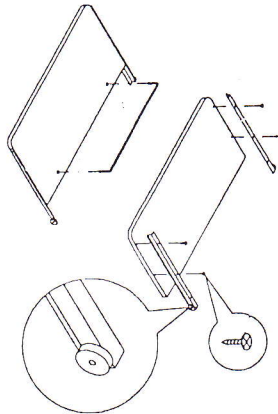
1 Identify parts. Install runners to the left and right side panels using 8 - 1/2" wood screws.



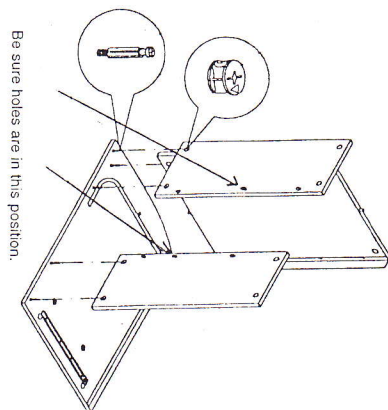
2 Lay top shelf on floor and install metal guard into the 4 pre-drilled holes using 4 - 1/2" wood screws.



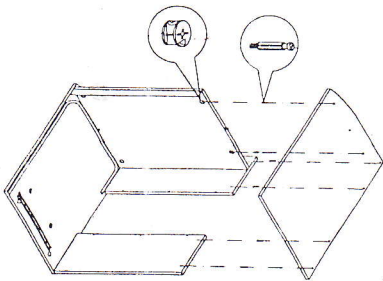
3 Attach shelf supports to the keyboard shelf with 4 - 1/2" wood screws. Then turn shelf over and attach back support bar.



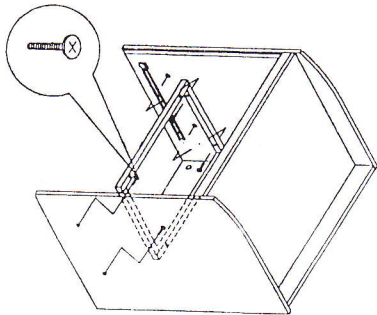
4 Now install locking cam screws into left and right side panels. Then install locking cams into the two back panels and the top shelf. Attach back panels and top shelf by inserting locking cams into the locking cam screws. (note: Be sure pre-drilled holes on back panels are in the right position.)



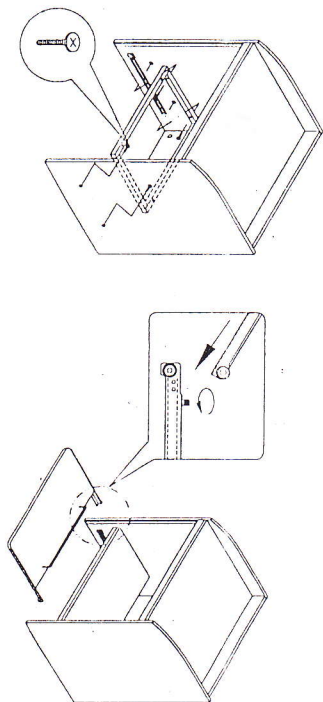
5 Align locking cam screws in the other side panel to the locking cams in the back panels and top shelf and tighten down.



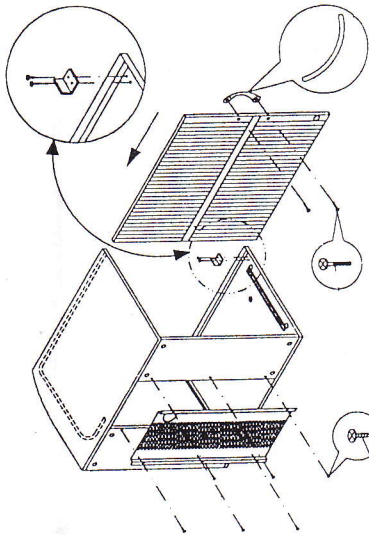
6 Install shelf support brace to the left and right side panels using 4 - 1 1/2" allen head screws.



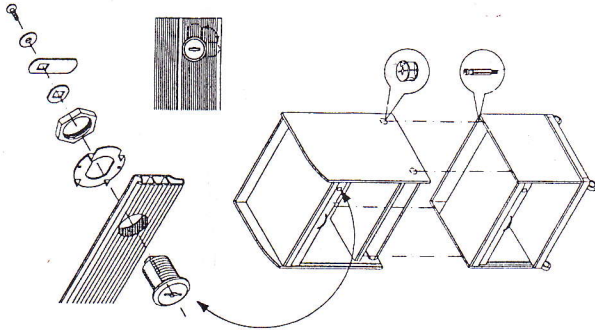
7 Attach center shelf to the shelf support brace using 4 - 1 1/2" allen head screws. Then insert keyboard shelf supports into the runners on the side panels.



8 Attach the metal back panel to the pre-drilled holes in the two back panels using 6-1/2" wood screws. Install locking bar to the side panel with the two pre-drilled holes using 2 - 1/2" wood screws. Attach handle to the door with 2 - 3/4" phillips head screws. (note: Rougher side of door is the front.) Slide door into the tracks on the side panels.


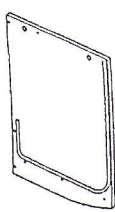
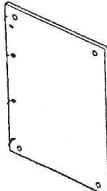





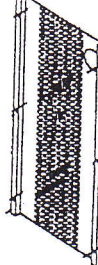




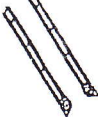







9 Install lock per diagram. Install locking cams into the side panels and locking cam screws into the top of the bottom half of unit. Then align locking cam screws on the bottom half with the locking cams on the top half and tighten down. Finally install cord wrap to the metal back panel to desired position with 2 - 1/2 black screws and 2 - keep nuts.



Note: Two people should attach top half to bottom half.

Parts for top section.

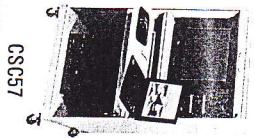
	Back panel = 2		Side panel = 2		Top shelf = 1		Keyboard shelf = 1		Center shelf = 1
	Metal guard = 1		Door = 1		Shelf support brace = 1		Metal back panel = 1		Lock assembly = 1
	Locking cam screws = 16		Buttons = 16		Allen screw = 8		Shelf adapters = 2		Runners = 2
	handle = 1		Wood screws = 6		Back support bar = 1		Locking bar = 1		

Instruction Sheet Model CSC57



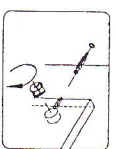
Customer Service Dept.
2245 Delany Rd
Waukegan, IL 60087
Ph: 847/244-1800 • 800/323-4656
Fax: 847/244-1818 • 800/327-1698

Instructions for bottom section.

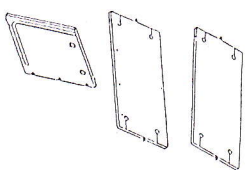


CSC57

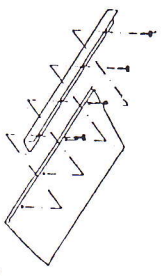
1 Separate and identify parts. Install locking cams into the sides, back, and middle shell. (see diagram below)



2 Connecting locking cams to the locking cam screws.

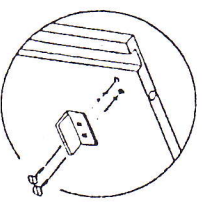


3 Install metal guard to the pre-drilled holes in the middle shell using 4 - 1/2" wood screws.



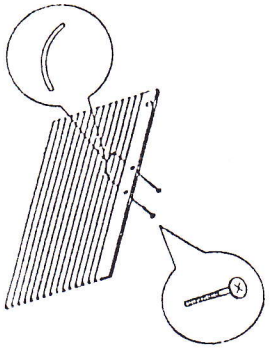
4

Attach lock brace to the side panel that has the two pre-drilled holes using 2 - 1/2" wood screws.



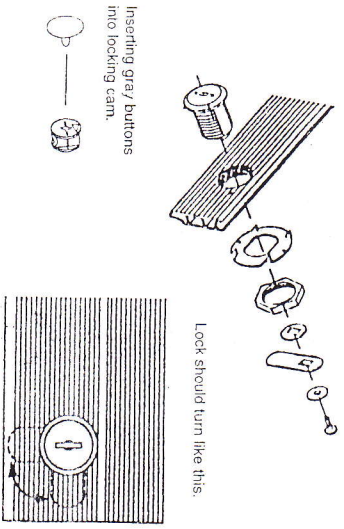
5

Attach handle to the sliding door with 2 - 3/4" screws. Handle goes on the rougher side of the door.



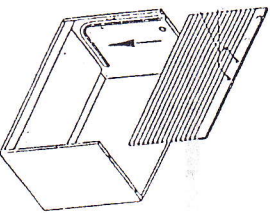
6

Disassemble lock and install as shown. Be sure locking bar is facing down. Check diagram.



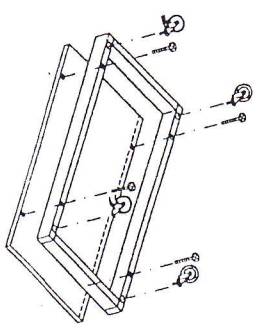
10

Slide door into the tracks on the side panels. Be sure rougher side of door is facing out and smoother side of door is on the inside. Peel tape off of back of door.



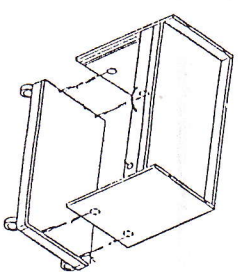
7

Install casters on the base. The casters with brake are to be placed same side. Lay bottom shell on smooth surface and bolt down the using 4 - 2 1/2" allen head screws.



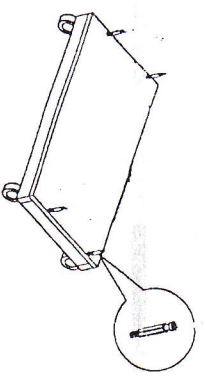
11

Place assembled unit on top of the base by inserting the locking cams into the locking cam screws on the base. Tighten down and place gray/butrons into locking cams.

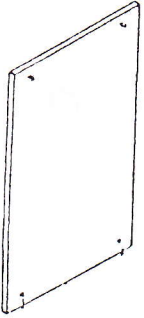







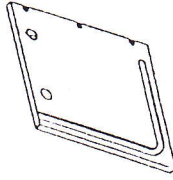





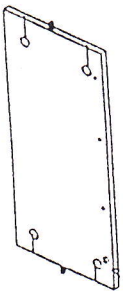
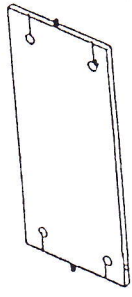


8

Turn assembled bottom onto casters and screw the other four locking cam screws into bottom shell.



Parts List for Bottom.

	Bottom shelf - 1 (Meas. 23 1/2" x 31 1/2")		Locking cam screws - 12		Locking cams - 12		Caster w/brake - 2		Caster w/o brake - 2		Lock brace - 1		Lock assembly - 1		Metal guard = 1
	Side panels - 2		Wood screws - 6 (Meas. 1/2")		Phillips head screws - 2 (Meas. 3/4")		Allen head screws - 4 (Meas. 2)		Door handle - 1		Buttons - 12		Middle shelf - 1 (Meas. 19 3/4 x 30")		Back panel (Meas. 19" x 30)