

Instruction Sheet
Model L100S2



Customer Service Dept.
2245 Delany Rd.

Waukegan, IL 60087

Ph: 847/244-1800 • 800/323-4656

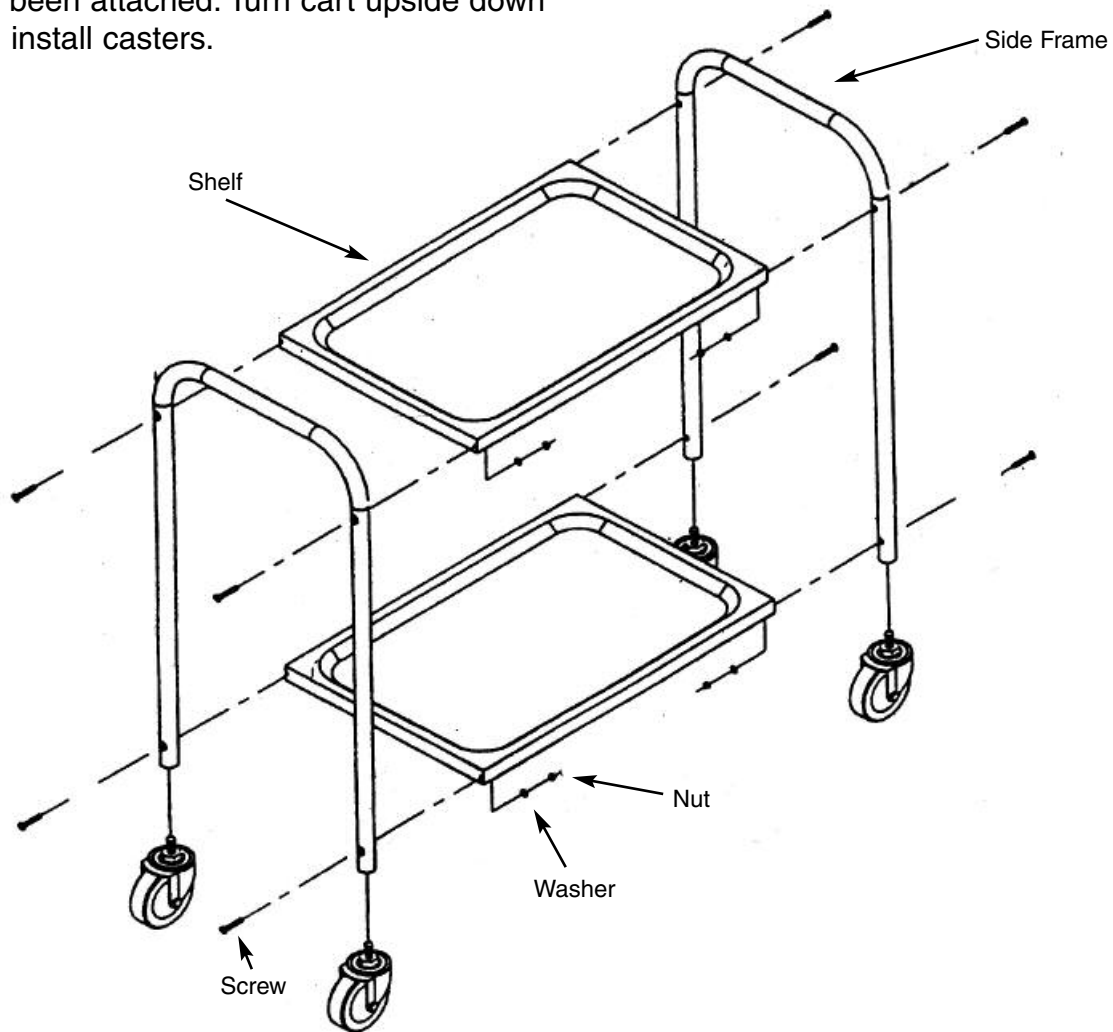
Fax: 847/244-1818 • 800/327-1698



Parts List

- 2 Shelves
- 2 Side Frames
- 1 Set of Wheels
- 8 Screws
- 8 Washers
- 8 Nuts

Align the threading on the sides of the shelf to the holes on the side frame and attach with 2-bolts, 2-nuts, and 2-washers on each side. Do not fully tighten until the other shelf has been attached. Turn cart upside down and install casters.



Instruction Sheet
Model L100S3



Customer Service Dept.
2245 Delany Rd.

Waukegan, IL 60087

Ph: 847/244-1800 • 800/323-4656

Fax: 847/244-1818 • 800/327-1698



Parts List

- 3 Shelves
- 2 Side Frames
- 1 Set of Wheels
- 12 Screws
- 12 Washers
- 12 Nuts

Align the threading on the sides of the shelf to the holes on the side frame and attach with 2-bolts, 2-washers, and 2-nuts on each side. Do not fully tighten until the other two shelves have been attached. Turn cart upside down and install casters.

