

Instruction Sheet - L-150 Easel



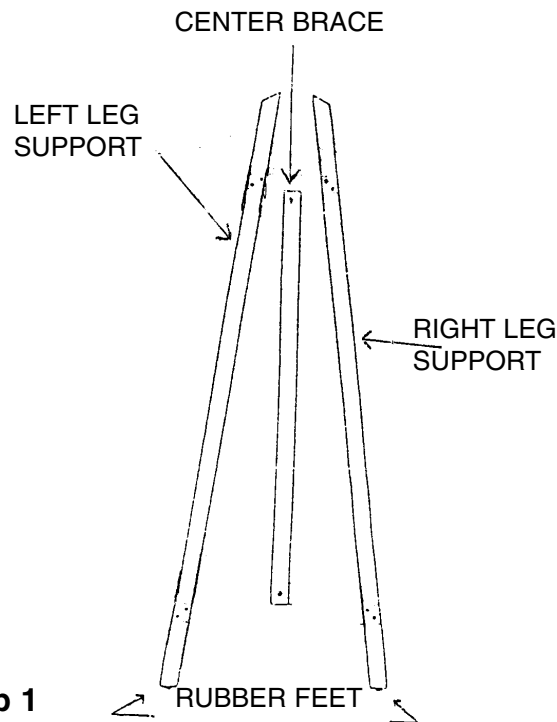
Customer Service Dept
 2245 Delany Rd
 Waukegan, IL 60087
 Ph: 847/244-1800 • 800/323-4656
 Fax: 847/244-1818 • 800/327-1698



PARTS LIST

- | | | |
|--------------------------|--------------------------|----------------------|
| 1 - R Support Leg | 1 - L Support Leg | 1 - Center Brace |
| 1 - Top support Brace | 1 - Bottom Support Brace | 1 - Back Support Leg |
| 1 - Leg Adjuster | 1 - Tray Bottom | 1 - Tray Back |
| 1 - Tray Adjuster Handle | 10 - 1 1/2" Screws | 4 - 1/2" Screws |
| 1 - Pan Head Screw | 1 - 1 1/4" Screw | 1 - Gold Tube |
| 4 - 1" Screws | 2 - Long Bolts | 4 - Washers |
| 2 - Wing Nuts | 1 - Hinge | |

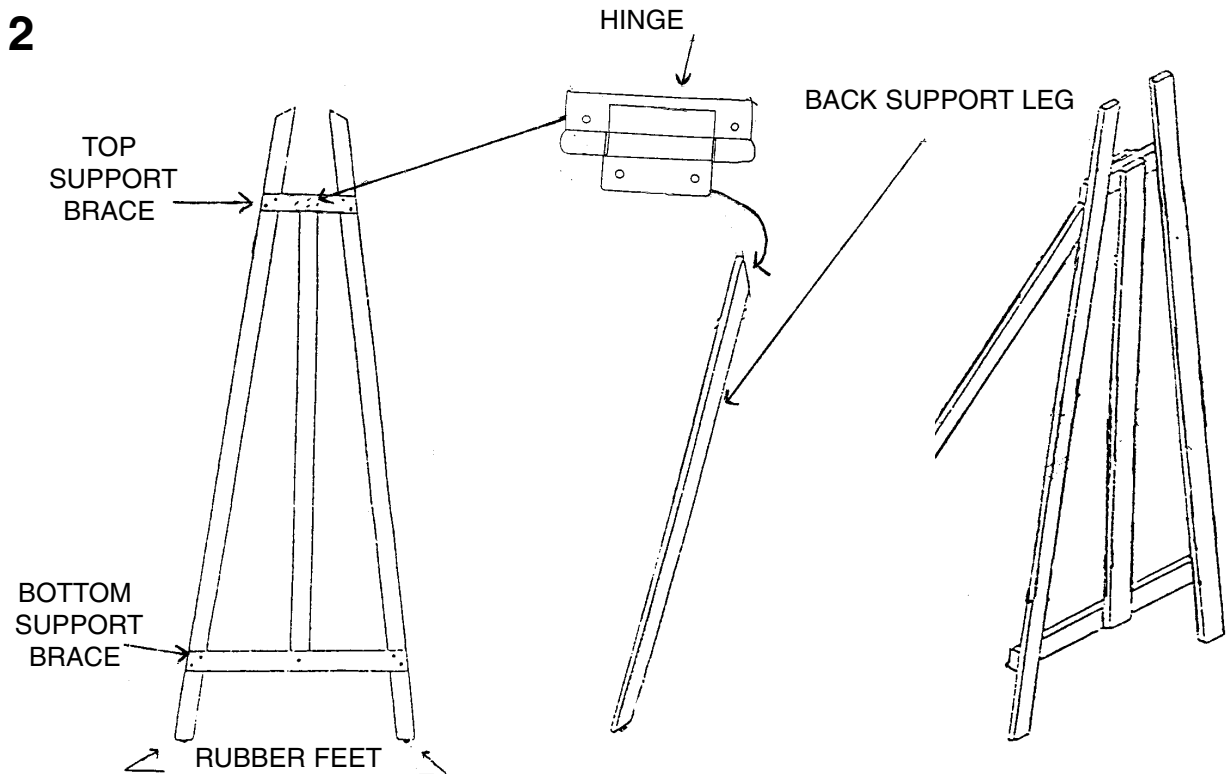
1



Step 1

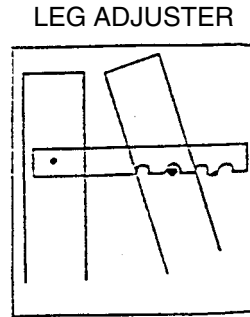
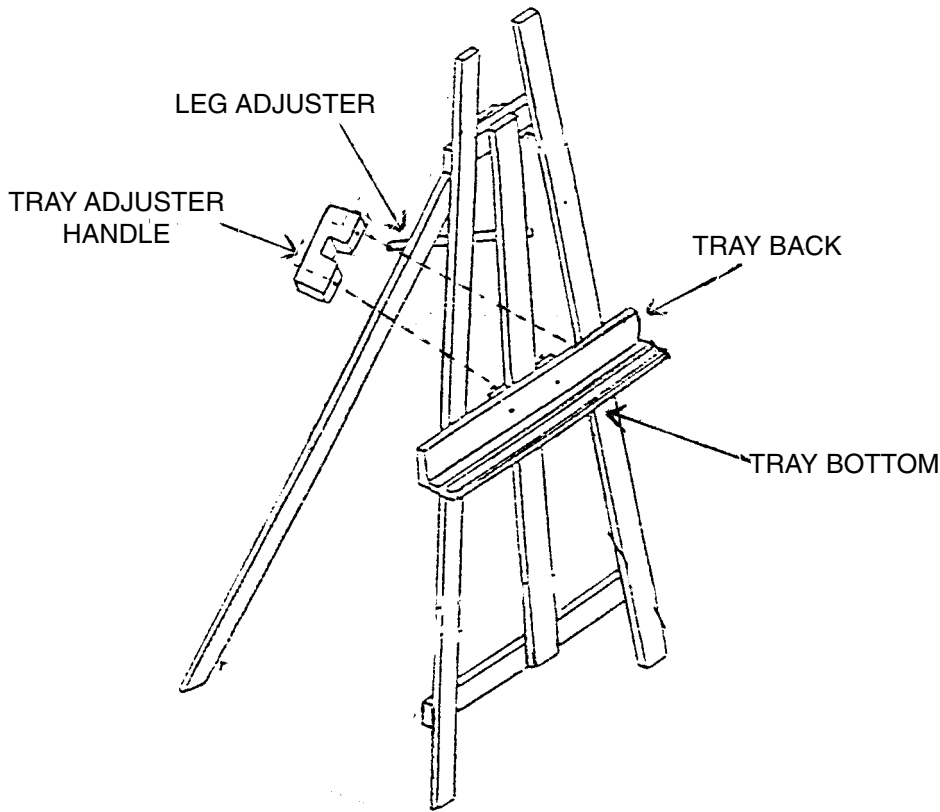
Lay the left leg, the right leg, and center brace on the ground with the pre drilled holes facing up. Then attach the top support brace and bottom support brace using 1 1/2" wood screws. Note: You will use all 10 1 1/2" screws for this step.

2



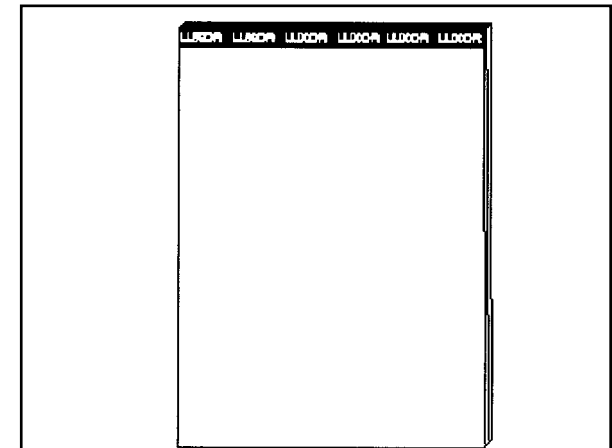
Step 2

Attach the hinge to the back support leg using two 1/2" screws. Then attach the other part of the hinge to the top support brace using two 1/2" screws. Now stand unit upright to attach remaining parts.



Step 3

Attach the back leg adjuster to the center brace using a 1 1/4" screw. Then take the pan head screw and slide the gold tube onto the screw and attach to the back leg support. Next attach the tray bottom to the tray back using 1" screws. Finally attach the tray adjuster handle to tray back using 2-long bolts, 2-wing nuts and 4-washers.



EASEL PADS

Replacement easel pads are available from your local Luxor dealer. Luxor easel pads may be used with all Luxor easels.

P504P Package of 4 easel pads, 50 sheets each.