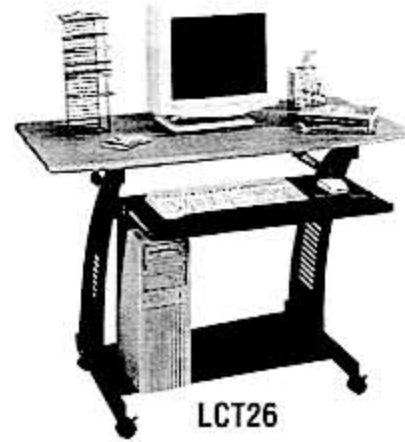


# Instruction Sheet Model LCT26



Customer Service Dept.  
2245 Delany Rd  
Waukegan, IL 60087  
Ph: 847/244-1800 • 800/323-4656  
Fax: 847/244-1818 • 800/327-1698



LCT26

## Parts

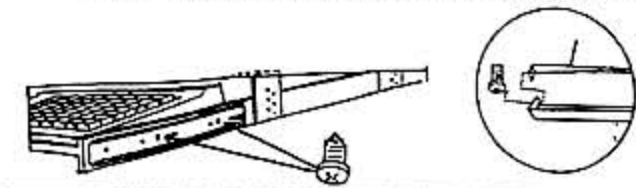
Caster w/o brake = 2  
Caster w/ brake = 2  
Wood top = 1 (Meas. 24" x 47")  
Bottom shelf = 1 (Meas. 12" x 29")  
Side frames = 2  
Support bars = 3  
Center brace = 1  
Runners for keyboard 1 = set  
Paper tray adapters = 2  
Key board = 1  
Keyboard cover = 1  
Wrist rest = 1  
Caster inserts = 4  
End caps = 4  
Adjusting knobs = 2  
(Attaching runners)  
Side frame = 2

## Screws

1/4" Phillips head screws = 4  
Attaching runners to keyboard  
2-1/2" screws = 4  
for wood top  
1 - 3/4" screws = 6  
Support bars  
1/2" Carriage head screws = 2  
Attaching runners  
1/2" Phillips head screws = 2  
Attaching paper tray adapters  
1/2" Allen head screws = 2  
Attaching runners  
1/2" Phillips head screws = 4  
Attaching cross brace

## Assembling keyboard and paper tray adapters

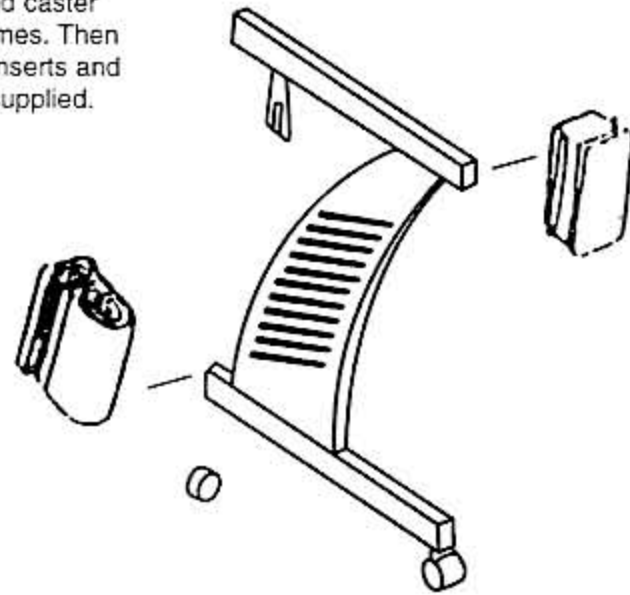
Attaching paper tray adapter and to back of run-



Assembling keyboard to side of extended runners.

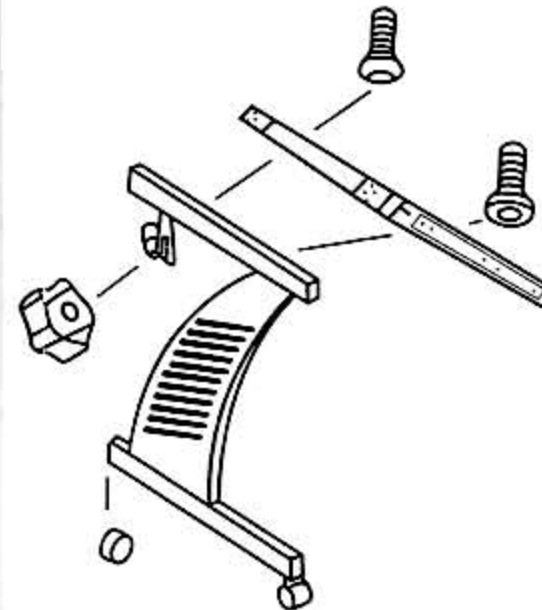
### Step 1

First insert end caps and caster inserts into the side frames. Then screw casters into the inserts and tighten down with tool supplied.



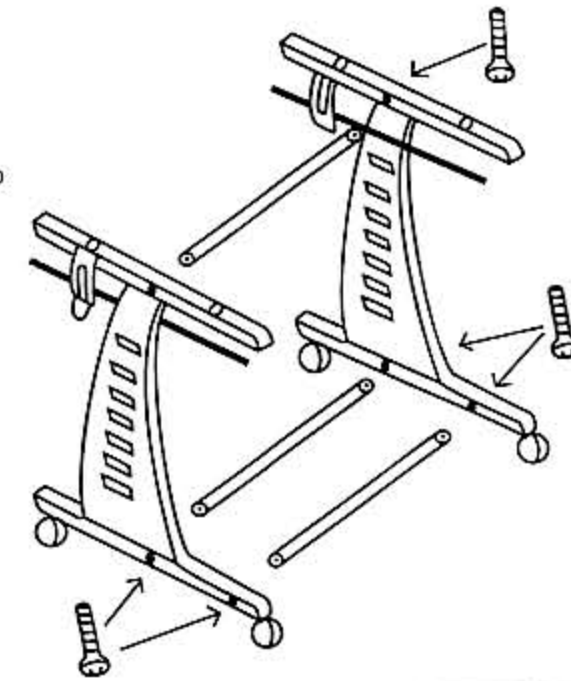
### Step 2

Attach runners to the side frames with 1/2" carriage head screws and 1/2" allen head screws. The carriage head screw will connect with the adjusting knob through the slot on the side frame.  
(Note: Slide runner forward until the holes line up with the side frame hole and slot.)



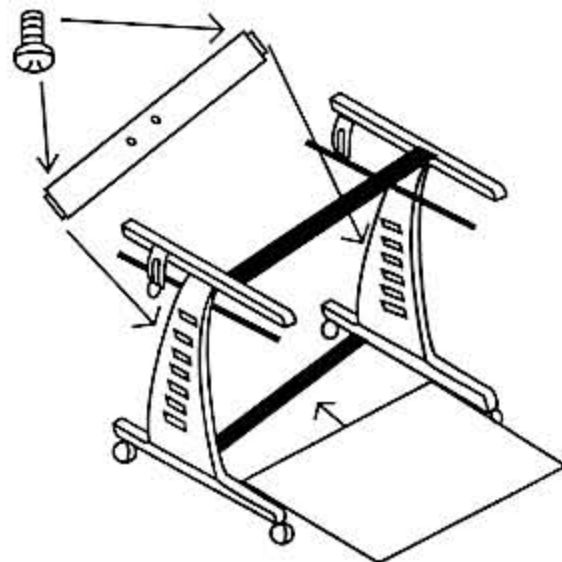
### Step 3

Now attach the three support bars with the 6 - 1 3/4" screws provided. Two across the bottom and one across the top as shown.



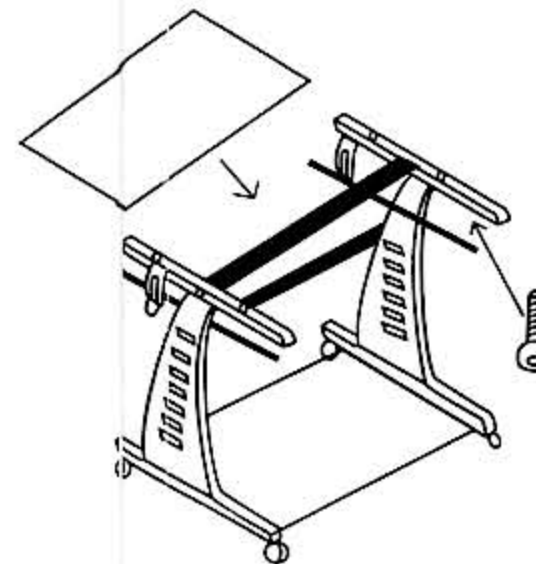
### Step 4

Align cross brace holes with the holes on the back part of the side frames and attach using 4 - 1/2" phillips head screws. Then place the bottom shelf over top of the two bottom support bars and snap shelf into place.



### Step 5

Place wood top on to top of side frames and screw down using the 4 - 2 1/2" screws.



### Step 6

Extend runners all the way out until they lock. Now take plastic keyboard and align the pre drilled holes on the side of the keyboard to the holes on the runners and attach with the 4 - 1/4" phillips head screws. While keyboard is still fully out slide the paper tray adapter into the slot on the back of the keyboard tray. Finally push keyboard back and attach the paper tray adapters to the back of the runners with 2 - 1/2" phillip's head screws.

