
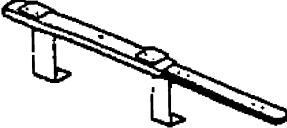
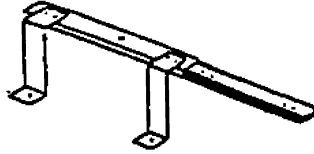






Customer Service Dept
2245 Delany Rd
Waukegan, IL 60087
Ph: 847/244-1800*800/323-4656
Fax:847/244-1818*800/327-1698

Instruction Sheet

Model LCT27T - Key Board Shelf

ITEM NO	Parts	QTY
1		1
2		1
3		1
4		4
5		8

