



Instruction Sheet

Model LCT27T

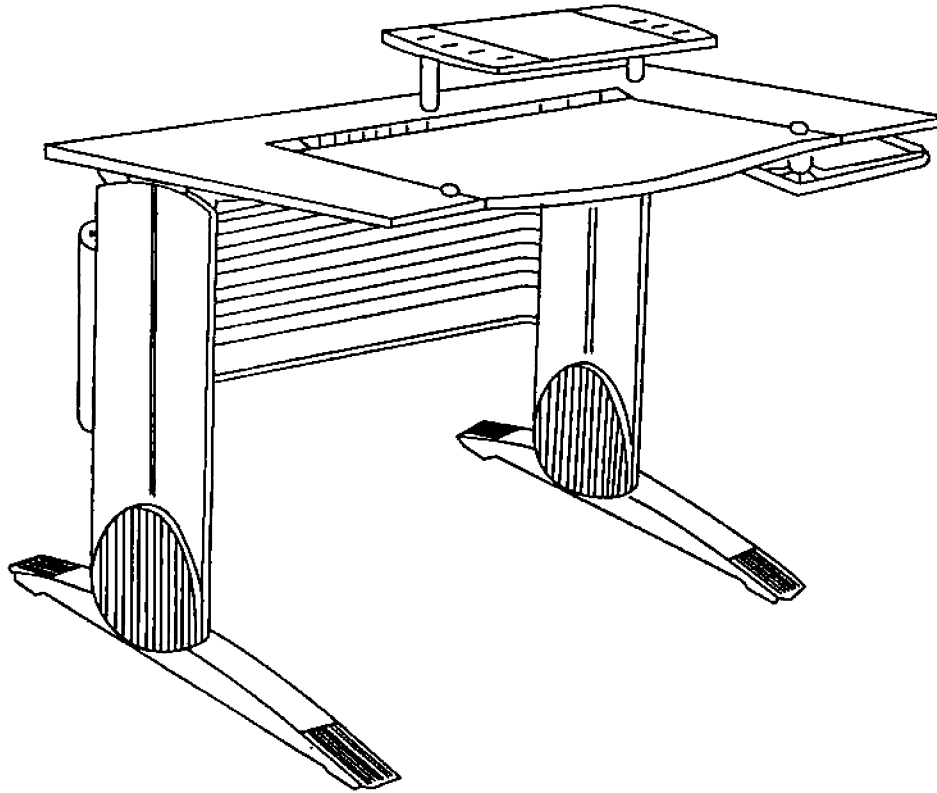
Customer Service Dept

2245 Delany Rd

Waukegan, IL 60087

Ph: 847/244-1800*800/323-4656

Fax: 847/244-1818*800/327-1698



NO	PART	QTY
1		1
2		1
3		2
4		1
5		1
6		1
7		2
8		1
9		2

NO	PART	QTY
10		2
11		1
12		1
13		1
14		1
15		4
16		6
17		2
18		4
19		1
20		1
21		1
22		6

