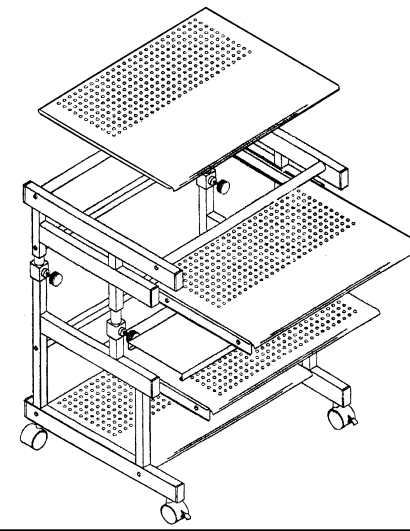


# Instruction Sheet Adjustable Height Steel Computer Workstation Model LCT5A



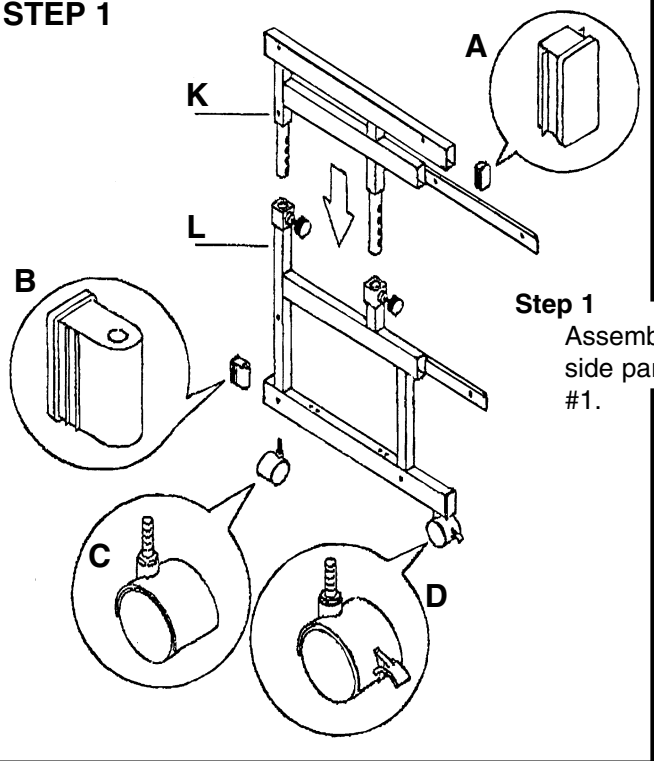
Customer Service Dept.  
2245 Delany Rd.  
Waukegan, IL 60087  
Ph: 847/244-1800 • 800/323-4656  
Fax: 847-244-1818 • 800/327-1698



## Instructions for Assembly

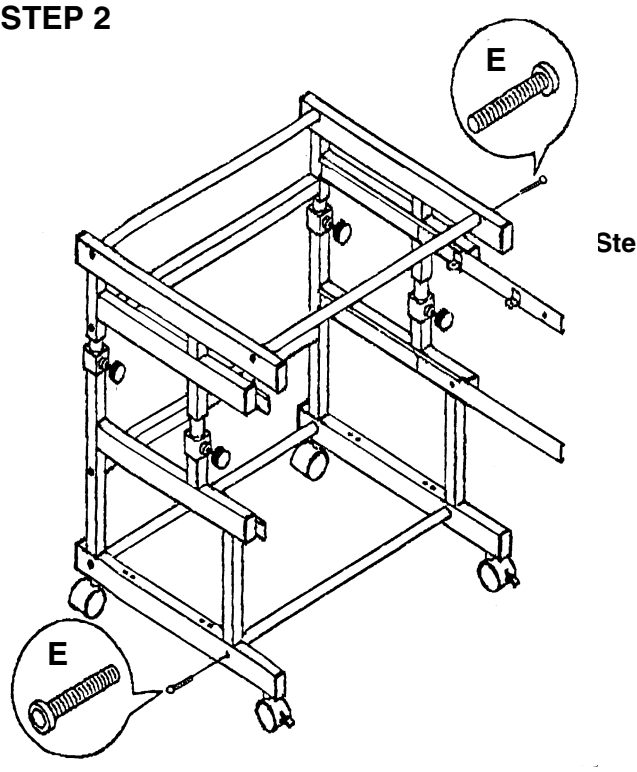
We suggest you unpack all components from the container before assembling the table. Separate the parts using the parts list on back side as a guide. Report any shortages immediately.

### STEP 1



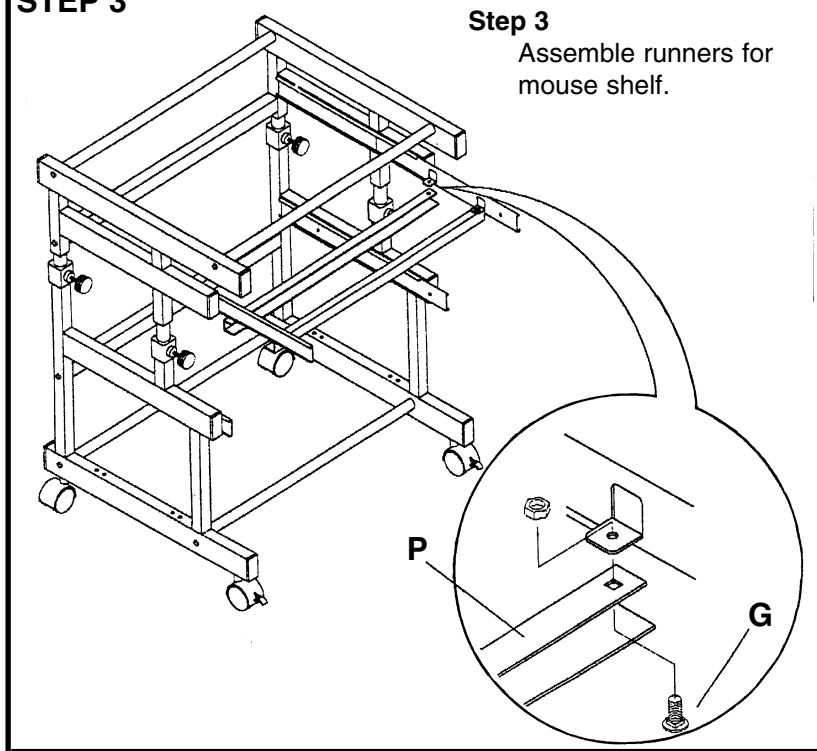
**Step 1**  
Assemble left and right side panels per diagram #1.

### STEP 2



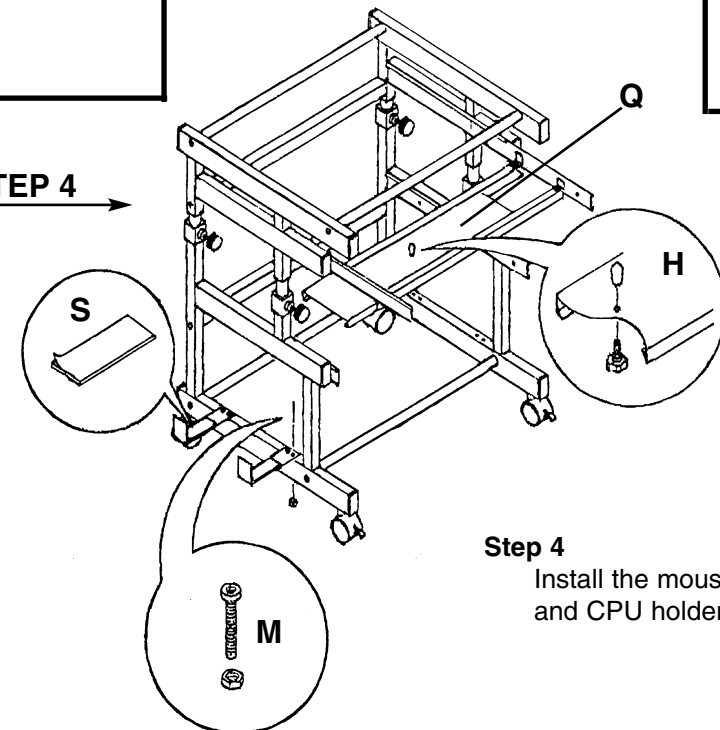
**Step 2**  
Connect the frames as shown in diagram #2.

### STEP 3



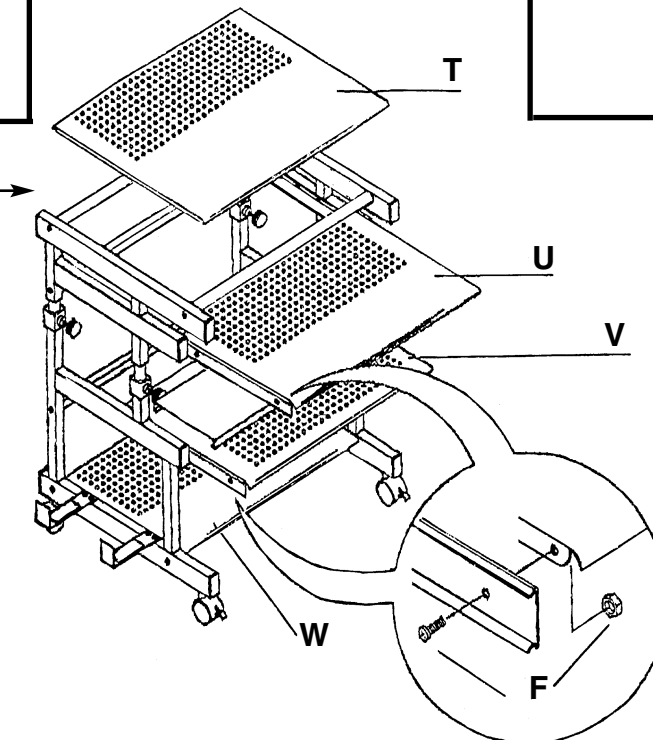
**Step 3**  
Assemble runners for mouse shelf.

### STEP 4



**Step 4**  
Install the mouse shelf and CPU holders.



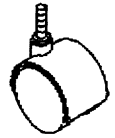

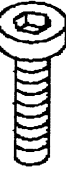

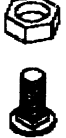
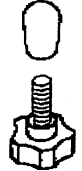


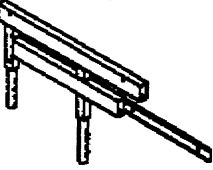
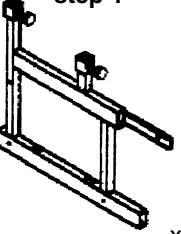

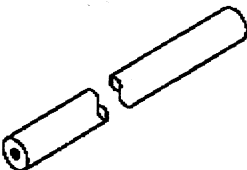
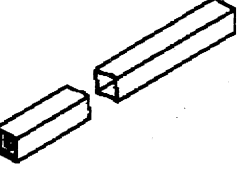
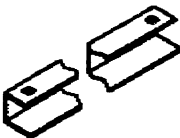
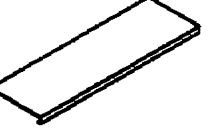
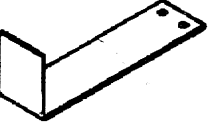


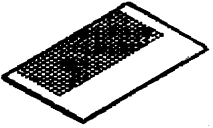
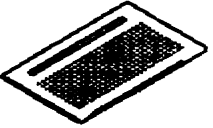
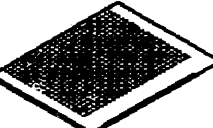
### STEP 5



**Step 5**  
Install top and bottom fixed shelves, keyboard shelf and printer shelf.

Tighten all fasteners. Adjust table to desired height.

PARTS LIST

|  |  |   |   |  |   |
|--|--|---|---|--|---|
| <b>A - step 1</b><br><br>x8   | <b>B - step 1</b><br><br>x4   | <b>C - step 1</b><br><br>x2        | <b>D - step 1</b><br><br>x2        | <b>E - step 2</b><br><br>x12  | <b>F - step 5</b><br><br>x8  |
| <b>G - step 3</b><br><br>x4   | <b>H - step 4</b><br><br>x1   | <b>I - Tool supplied</b><br><br>x1 | <b>J - Tool supplied</b><br><br>x1 | <b>K - step 1</b><br><br>x2   | <b>L - step 1</b><br><br>x2  |
| <b>M - step 4</b><br><br>x4  | <b>N - step 2</b><br><br>x4  | <b>O - step 2</b><br><br>x2       | <b>P - step 3</b><br><br>x2       | <b>Q - step 4</b><br><br>x1  | <b>R - step 4</b><br><br>x2 |
| <b>S - step 4</b><br><br>x2 | <b>T - step 5</b><br><br>x1 | <b>U - step 5</b><br><br>x1      | <b>V - step 5</b><br><br>x1      | <b>W - step 5</b><br><br>x1 |   |