

Instruction Sheet

Endura Models LEM-32P & LEM32PT

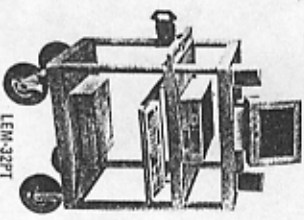
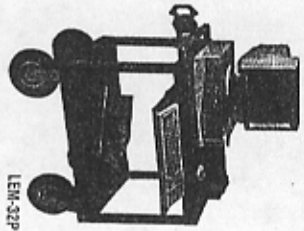
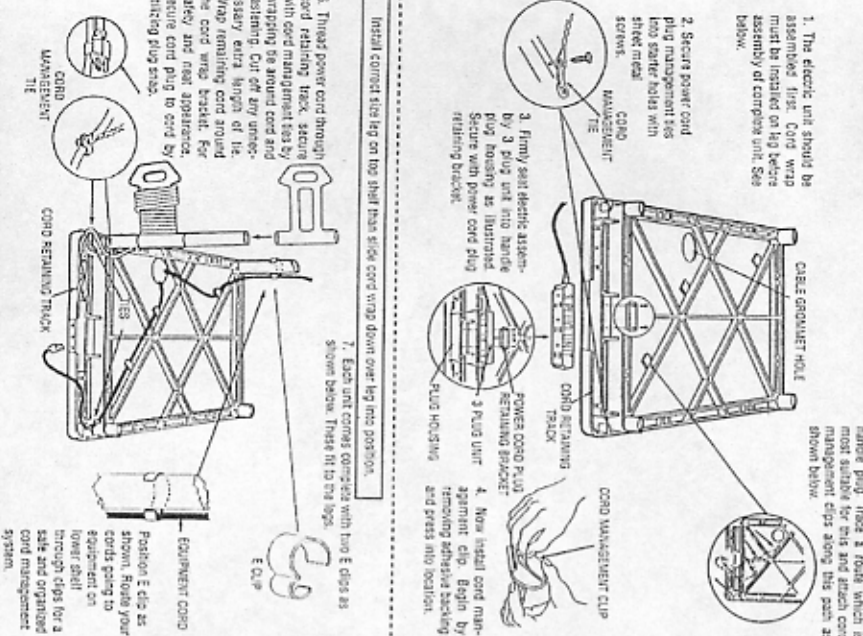
Congratulations for having chosen an excellent Luxor product.

Your purchase is backed by Luxor's satisfaction guarantee. Luxor is a satisfaction oriented company. As a service to you, we are enclosing a "satisfaction guaranteed" request card. Should a problem arise needing our assistance simply fill out the card and fax it to us toll-free or mail postage paid to Luxor. Be sure to include your telephone number. Upon receipt of your service request, we will give it immediate attention to be sure that you will be completely satisfied with your purchase.

Thank you for your confidence.

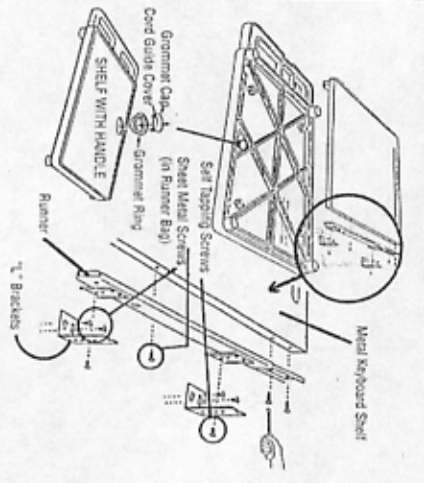


1. Instructions For Electric Assembly & Cord Wrap.

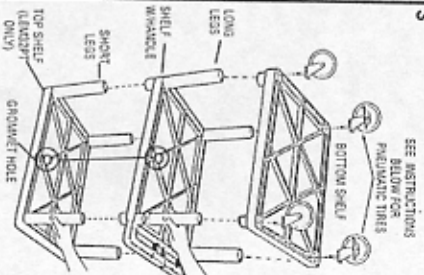


- ### PARTS LIST
- 1 - Top Shelf (LEM32PT Only)
 - 1 - Shelf with Handle
 - 1 - Bottom Shelf
 - 1 - Keyboard Shelf
 - 2 - Runners
 - 1 - "T" Brackets
 - 1 - Power Cord
 - 1 - Plastic Cord Wrap
 - 4-8 "Legs" (LEM32PT Only)
 - 4-20 "Legs"
 - 2 - "E" Clips
 - 4 - Sure Grip Pads
 - 3 - Cord Ties
 - 4 - Cord Clips
 - 4 - Self Tapping Screws (in Runner Pkg.)
- 6-56" screws
 - 14 - Sheet Metal Screws (in Runner Pkg.)
 - 2 - Grommets
 - 4 - Pneumatic Ties, includes:
 - 2 Feed tires
 - 15 bolts, washers & nuts
 - 2 Adapters
- TOOLS REQUIRED:**
- 1 - Rubber Mallet
 - 1 - Socket Screwdriver
 - 1 - Phillips Screwdriver
 - 1 - Adjustable Wrench

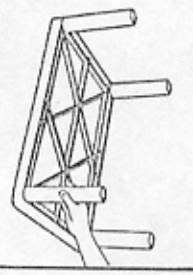
2



3

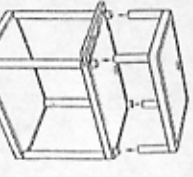


4 - LEM-32PT Top Shelf



Lay LEM-32PT top shelf, ribbed side up, on a smooth surface. Push 1 set of short legs onto leg posts. Using a rubber mallet, firmly hammer legs until all four legs are seated (flush) against the surface of the shelf.

5 - LEM-32PT Top Shelf



Set top shelf right side up and set its legs onto leg posts of middle shelf. Grommet holes should be to the back of terminal platform. Firmly hammer shelf with legs onto leg posts of middle shelf (with handles) until legs are seated (flush) against the surface of middle shelf.

Pneumatic Tires

Please note the following:

- There is a left and right adapter.
- Notice which side of bottom shelf is 24" and which is 32"
- Look at diagram carefully to see how and where each type of caster is attached.

Check the pressure every 30 days. Pressure should be maintained at 50 lbs. Replacement parts may be purchased from your Luxor dealer should you encounter a problem with your pneumatic tires.

Part No. Description

- 80111 Inner tube only
- 80110 8" pneumatic tire with valve
- 80109 8" pneumatic tire with valve
- 80000 Tire only

