

# Instruction Sheet

## Endura Multi-Function Tables

### Models LEW-26, LEW-28, LEW-32, LEW-35 and LEW-32TWR



Customer Service Dept.  
2245 Delany Rd.  
Waukegan, IL 60087  
Ph: 847/244-1800 • 800/323-4656  
Fax: 847-244-1818 • 800/327-1698



LEW-26



LEW-35



LEW-32TWR

## PARTS LIST

### Common Parts for All Models

- 1 - Top Shelf
- 1 - Bottom Shelf
- 2 - Cord Set Grommets
- 1 - Steel Bracket w/cord wrap
- 1 - Set 4" Casters
- 1 - 10oz. Mallet
- 1 - Cord w/Surge
- 1 - Safety Label
- 2 - Cable Clips
- 2 - Screws

### Special Parts

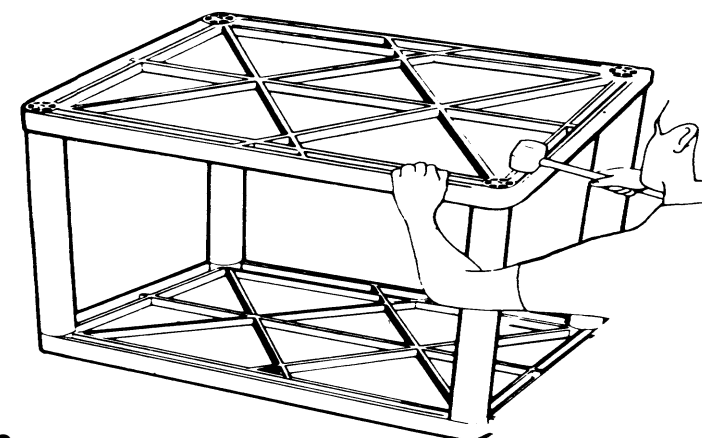
- |          |   |
|----------|---|
| LEW-26   | 4 - 17½" Legs   |
| LEW-28   | 4 - 19" Legs  |
| LEW-32   | 4 - 23½" Legs   |
| LEW-35   | 1 - Middle Shelf<br>8 - 12½" Legs                     |
| LEW32TWR | 4 - 23½" Legs<br>1 - Set CPU Holders<br>4 - Wing Nuts |

### NOTE:

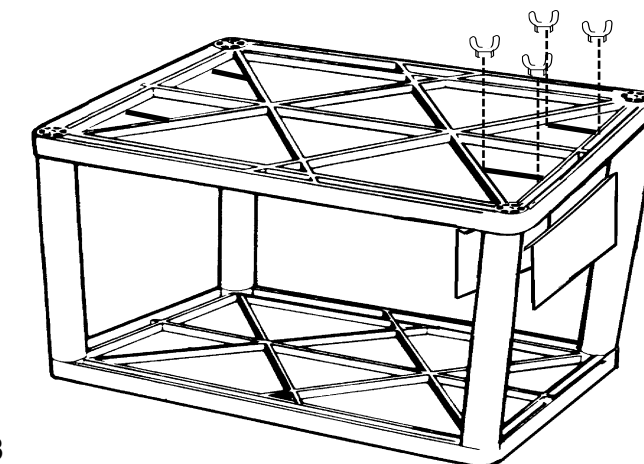
It is suggested that any accessory you may have purchased with your extra wide multi-function Endura table be assembled to the top shelf before assembling the table. Refer to the other side for instructions.



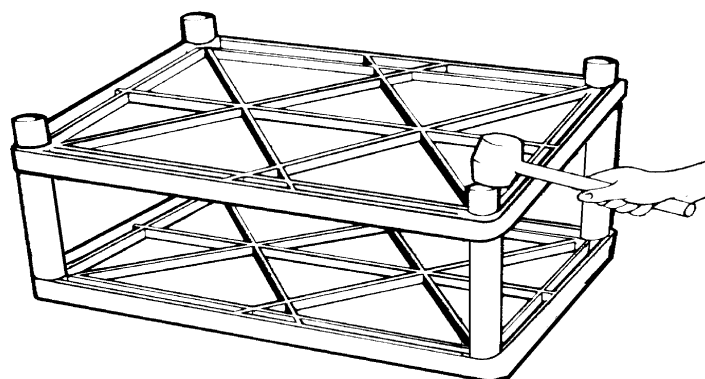
**1**  
**All Models**  
Lay top shelf ribbed side up on a smooth surface. Push all 4 legs onto leg posts.



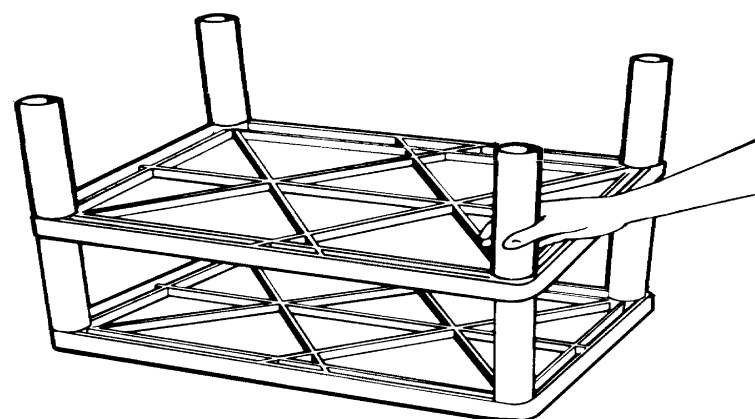
**2**  
**Models LEW-26, LEW-28, LEW-32 & LEW-32TWR only.**  
Position bottom shelf, ribbed side up, over the 4 legs and insert leg posts into legs. Using a rubber mallet, firmly hammer bottom shelf into legs until all four legs are seated (flush) against the surfaces of both shelves.



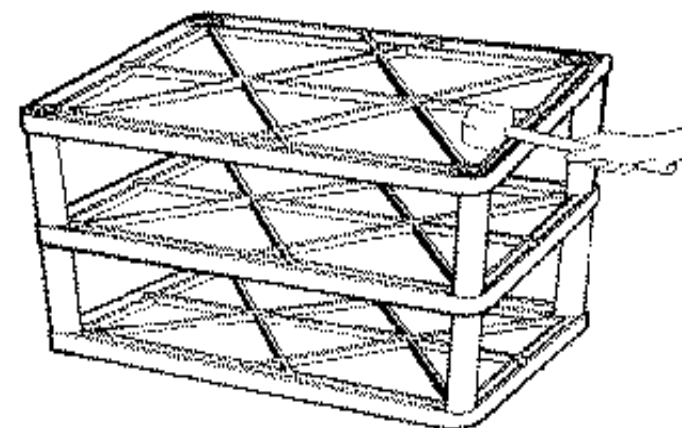
**3**  
**Model LEW-32TWR only.**  
Slots have been cut out on the left and right side. Select the side you wish to position your CPU. Insert side plates so bolts come out of bottom of shelf with each lip facing in. Secure in place with wing nuts. Tighten when CPU is in place.



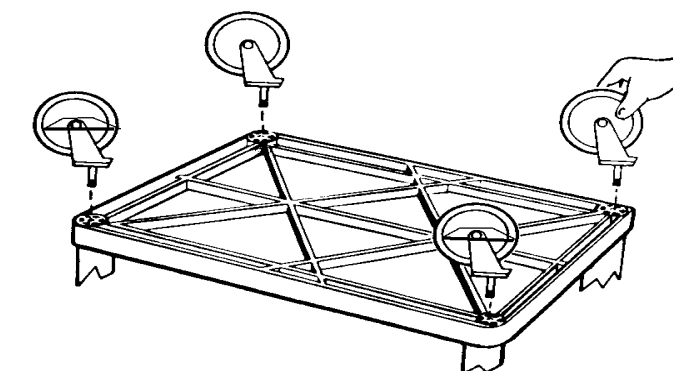
**4**  
**Model LEW35 only.**  
Position center shelf (with 8 leg posts), ribbed side up, over the 4 legs and insert leg posts into legs. Using a rubber mallet, firmly hammer center shelf into legs until all four legs are seated (flush) against the surfaces of both shelves.



**5**  
**Model LEW35 only.**  
Push remaining 4 legs into leg posts of center shelf.



**6**  
**Model LEW-35 only.**  
Position bottom shelf, ribbed side up, over the 4 legs and insert leg posts into legs. Using a rubber mallet, firmly hammer bottom shelf into legs until all four legs are seated (flush) against the surfaces of both shelves.



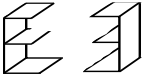
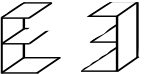
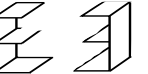
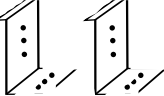
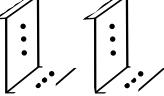
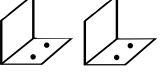
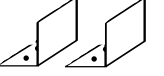
**7**  
**Caster Assembly for all models.**  
Push the four casters firmly into the holes in each corner of the bottom shelf. **Important:** casters must be fully seated. Tap firmly with rubber mallet to properly seat casters. Turn your Endura Table right side up. It is now ready for use.

Shown below is the underside of the top shelf or middle shelf of the Luxor Extra Wide (Multi-Function) Endura Tables or Shelving System.

**IMPORTANT:** When mounting various accessories...

**FIRST** - Determine where you wish to mount the desired accessory or accessories.

**SECOND** - Turn the shelf over on a flat surface and study the chart and underside drawing.

ACCESSORY	RIGHT SIDE	MIDDLE SIDE	LEFT SIDE
<b>TLMD</b> - 3" <b>TLMD2</b> - 6"	Row 2 & 3 	Row 4 & 7 	Row 8 & 9 
<b>LEWKB</b> Plastic Keyboard w/Mouse Shelf	Row 1 & 6 	n/a	Row 5 & 10 
<b>LEMRO</b> Metal Keyboard	Row 1 & 5 	n/a	Row 6 & 10 

A) Runners for storage bins are universal.

\* B) LEWKB - Suggest you mount the mouse tray - (right or left) prior to mounting the brackets to the keyboard and then to the shelf bottom.

\* C) LEMRO - Suggest you mount the brackets to the keyboard shelf and then to the shelf bottom.

\* Mounting brackets must be mounted as shown for proper fit.

