


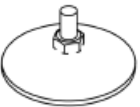


Instruction Sheet Model LHDAWS



Customer Service Dept.
2245 Delany Road
Waukegan, IL 60087
Ph: 847/244-1800 • 800/323-4656
Fax: 847/244-1818 • 800/327-1698



LHDAWS

A QTY: 12 pcs 	B QTY: 4 pcs 
C QTY: 1 pc 	D QTY: 2 pcs 
	E QTY: 1 pc 