

Instruction Sheet -LIWPS



2245 Delany Road • Waukegan, IL 60087
 Ph: 847-244-1800 • 800-323-4656
 Fax: 847-244-1818 • 800-327-1698

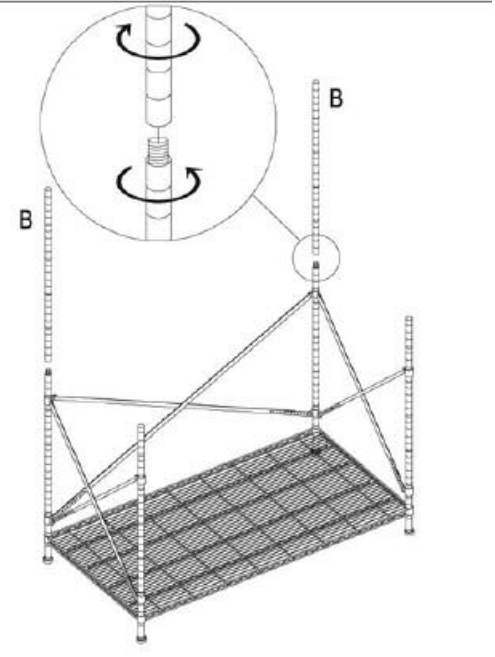
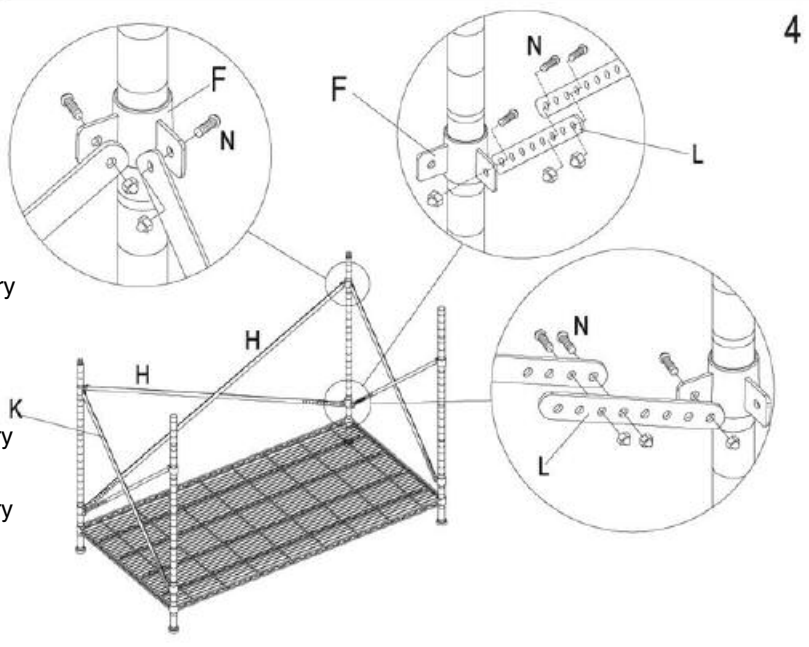
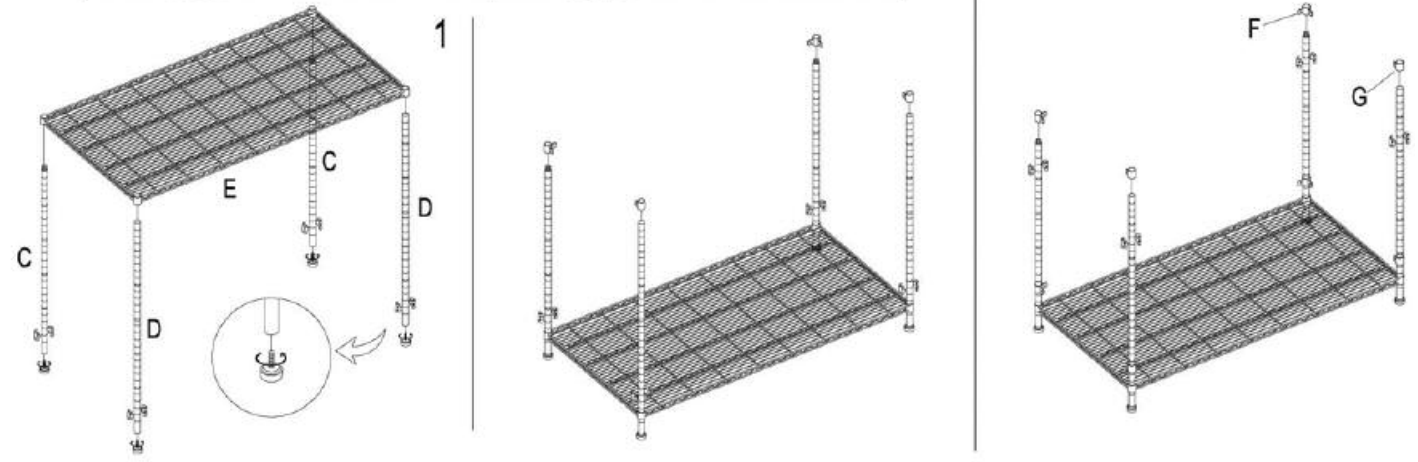
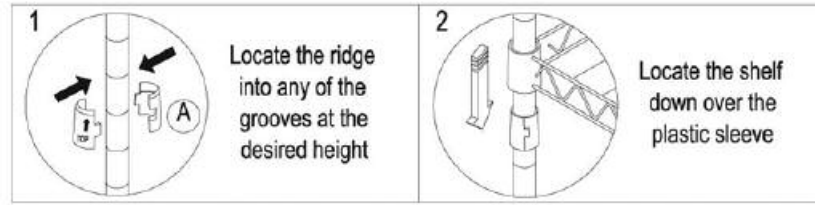
PART	ID	QTY
	A	48
	B	2
	C	2
	D	2
	E	1
	F	4
	G	4
	H	2
	K	4
	L	6
	N	24
	M	1
	O	1
	P	2
	Q	2
	R	1
	S	6
	T	5
	V	1
	W	4
	Z	1
	Y	1

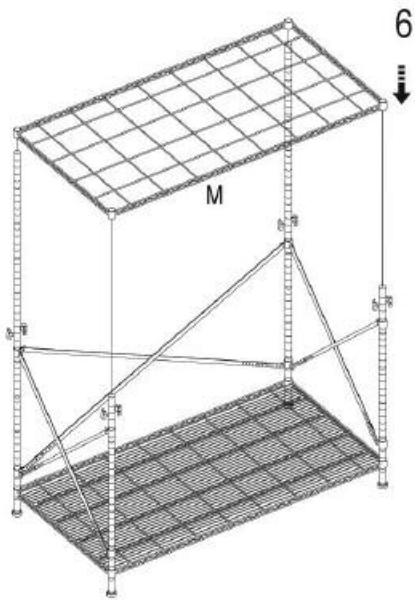
Reel Holder
optional accessory

Carton Dividers
optional accessory

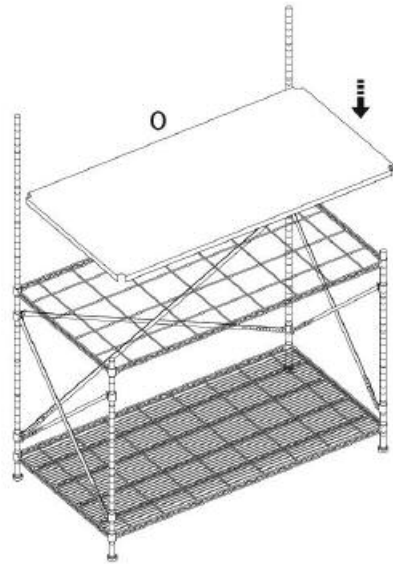
Utility Basket
optional accessory

Bin Rail
optional accessory



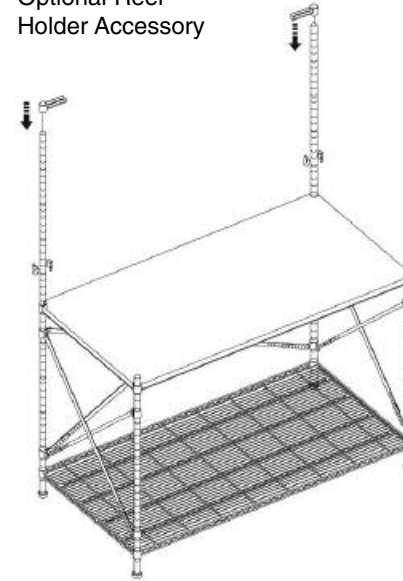


6



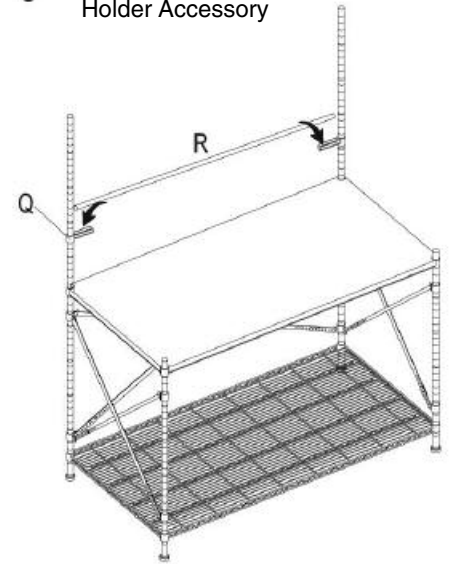
7

Optional Reel Holder Accessory

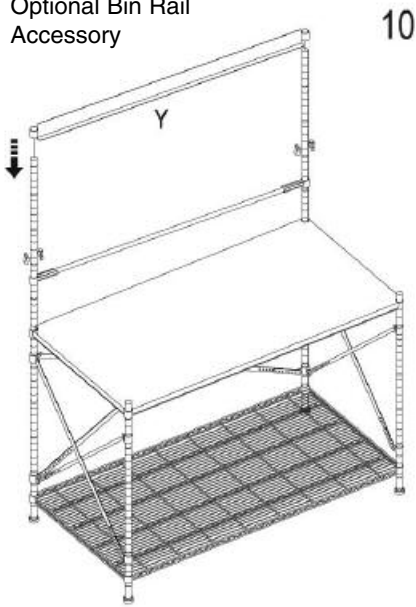


8

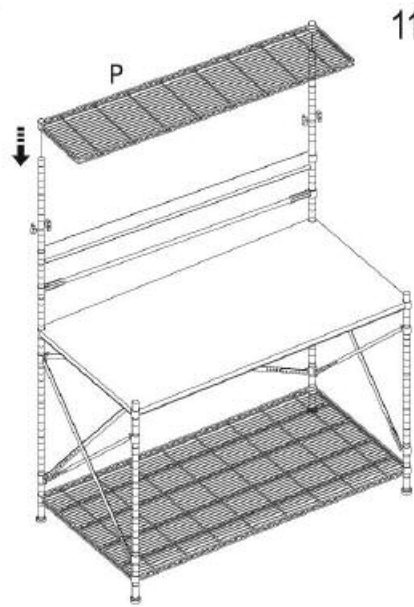
9 Optional Reel Holder Accessory



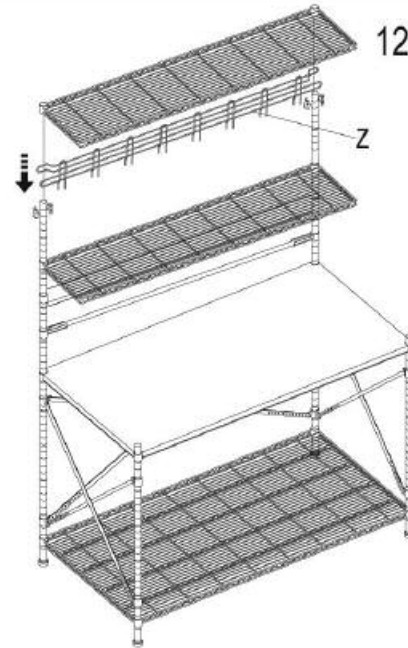
Optional Bin Rail Accessory



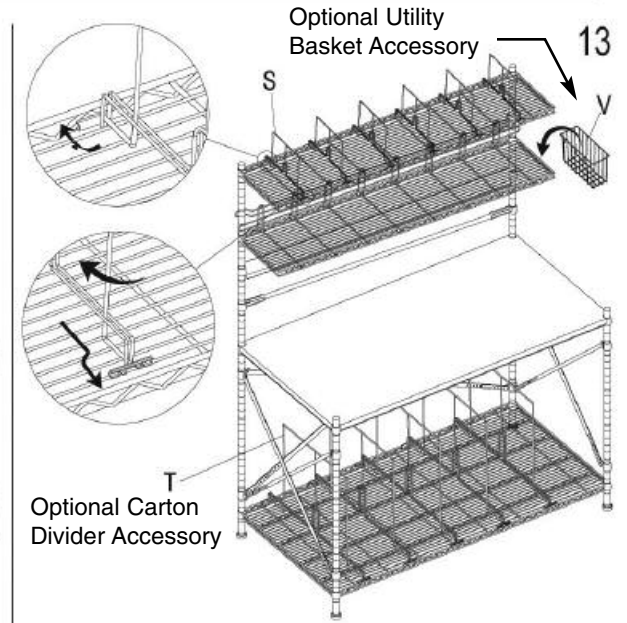
10



11



12



13

Optional Carton Divider Accessory