

LP Series Instructions



Custom Service Department
 Address: 2245 Delany Rd.
 Waukegan, IL 60087
 Phone: 847.244.1800
 800.323.4656
 Fax: 847.244.1818
 800.327.1698

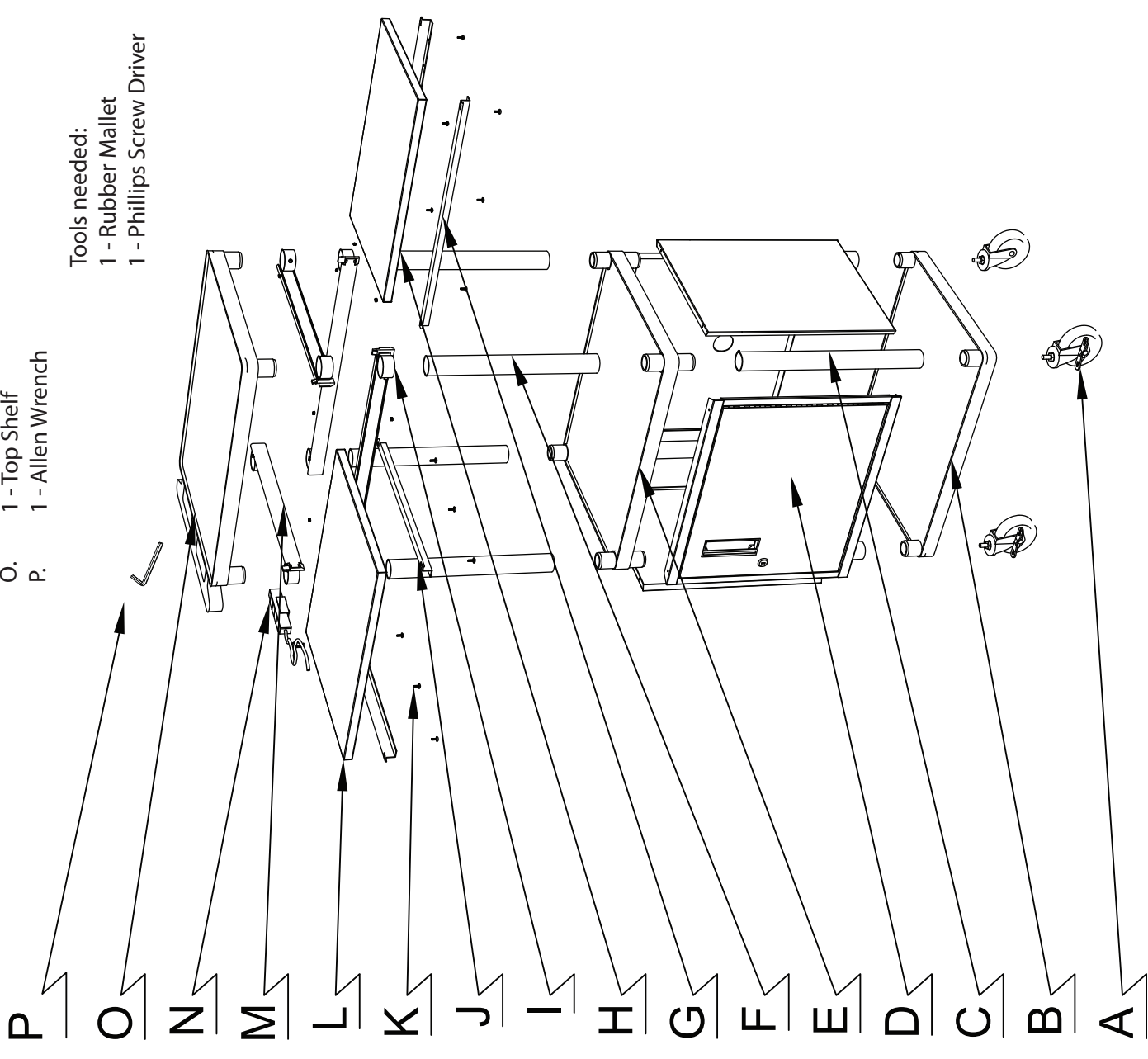
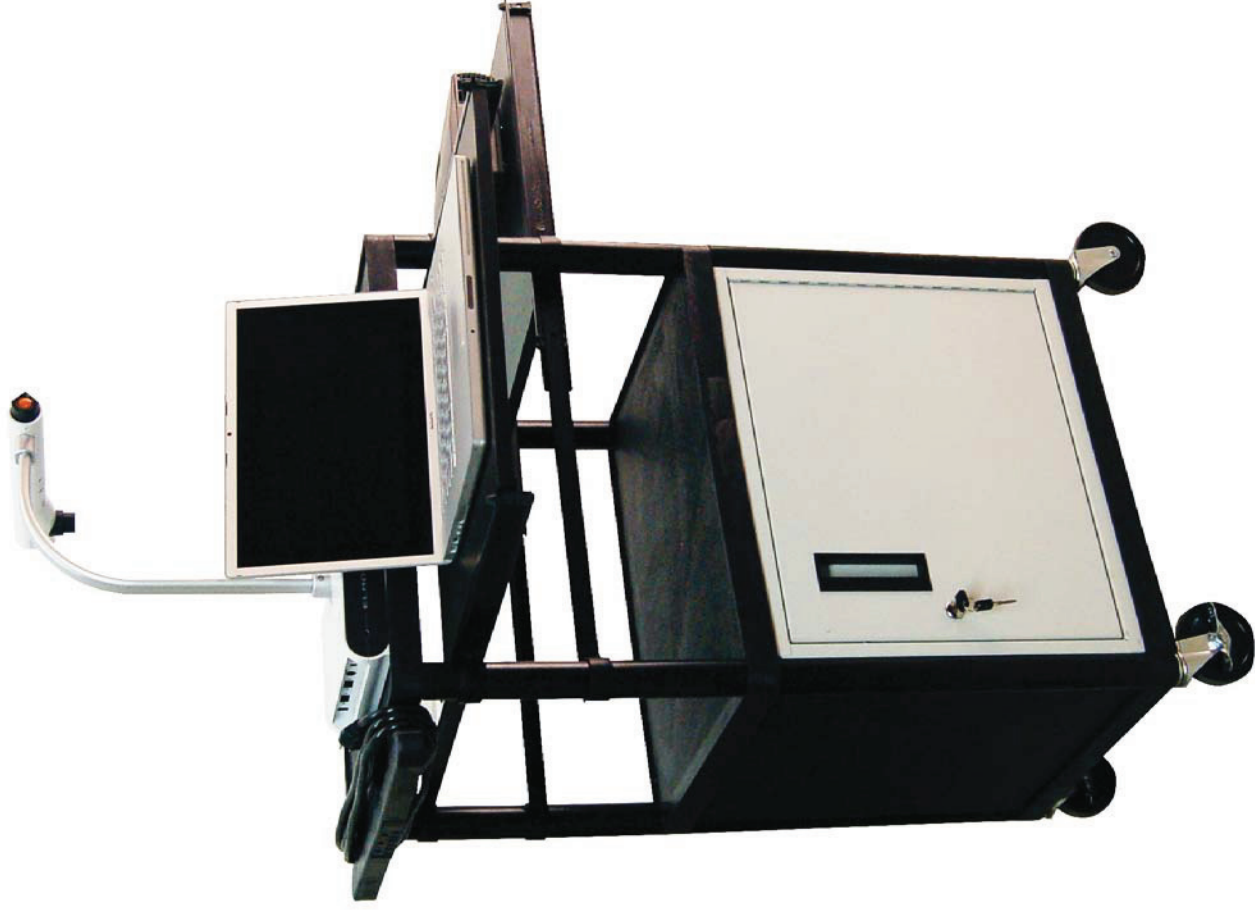
LP SERIES INSTRUCTIONS

Part List:

- A. 1 - Castor Pack
- B. 1 - Bottom Shelf
- C. 1 - Long Tube Pack
- D. 1 - Cabinet Pack - (Optional)
- E. 1 - Middle Shelf
- F. 1 - Short Tube Pack
- G. 2 - Long Glide Brackets - (Optional)
- H. 1 - Long Pull-Out Shelf - (Optional)
- I. 2 - Long Glides - (Optional)
- J. 2 - Short Glide Brackets - (Optional)
- K. 12 - #6 x 1/2" Phillips Screws - (Optional)
- L. 1 - Short Pull-Out Shelf - (Optional)
- M. 2 - Short Glides - (Optional)
- N. 1 - Electric Assembly
- O. 1 - Top Shelf
- P. 1 - Allen Wrench

Tools needed:

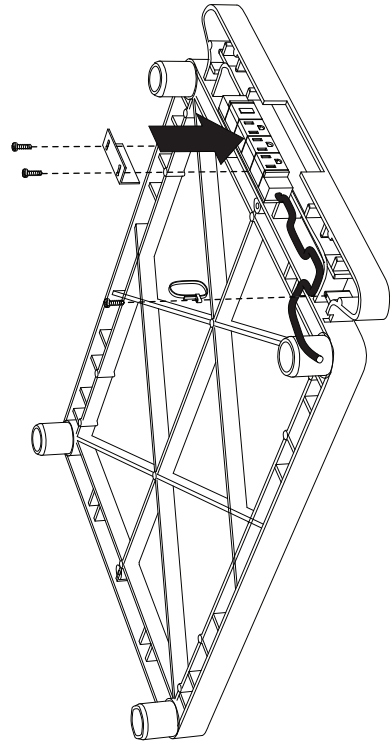
- 1 - Rubber Mallet
- 1 - Phillips Screw Driver



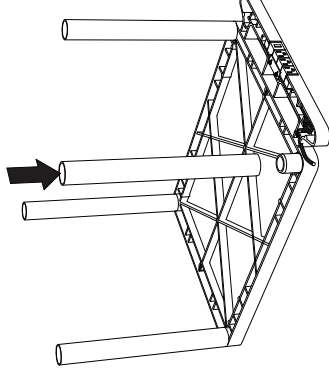
LP Series Instructions



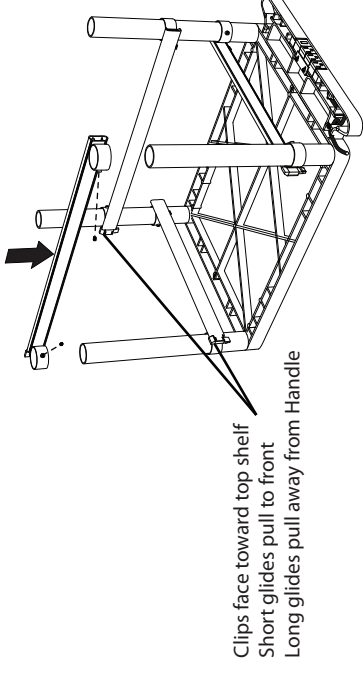
Custom Service Department
 Address: 2245 Delany Rd.
 Waukegan, IL 60087
 Phone: 847.244.1800
 800.323.4656
 Fax: 847.244.1818
 800.327.1698



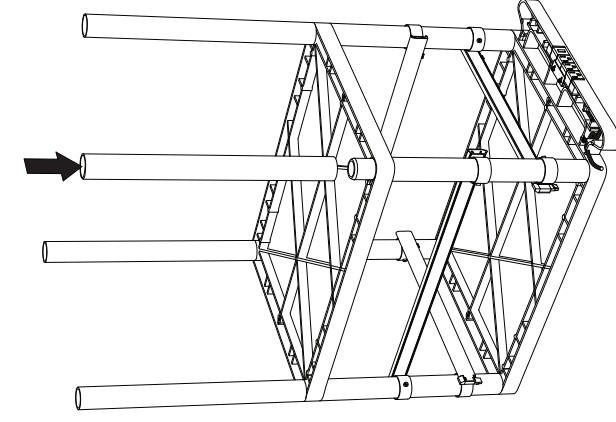
Step 1: Attach electric to top shelf, secure with L bracket and cable lock. Screw L bracket and cable lock onto top shelf with phillips screw driver.



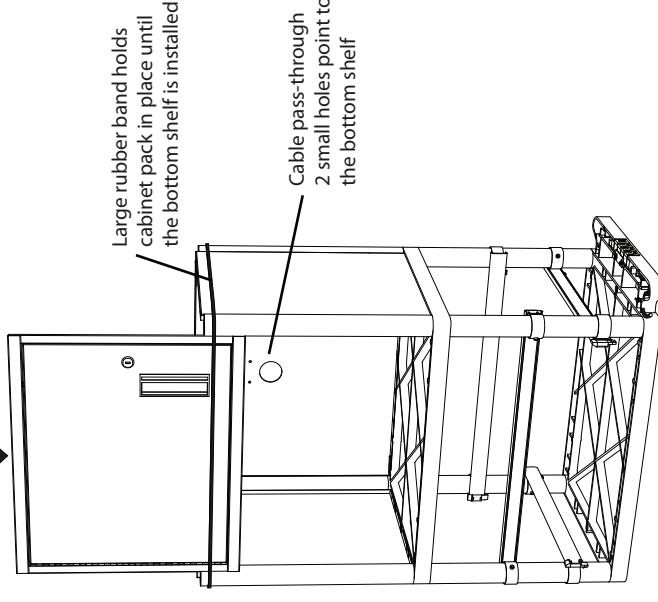
Step 2: Install short legs.



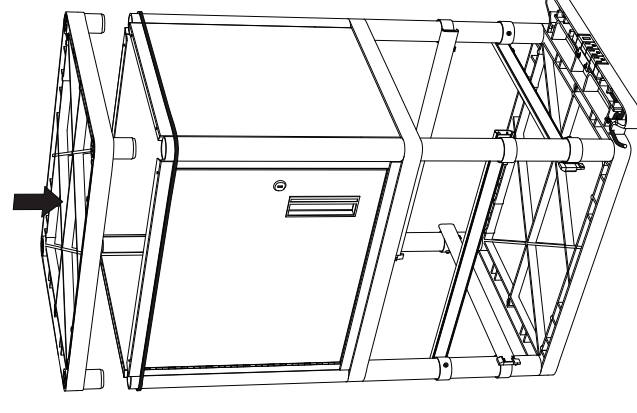
Step 3: Install optional pull-out shelf glides and lock in place with allen set screws



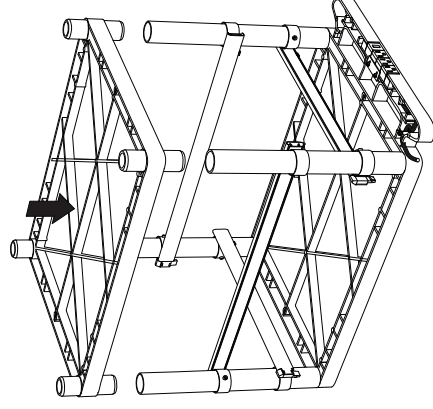
Step 5: Install long tubes.



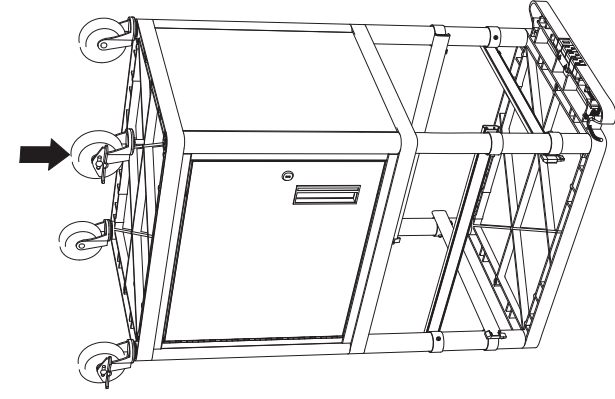
Step 6: Install optional cabinet pack.



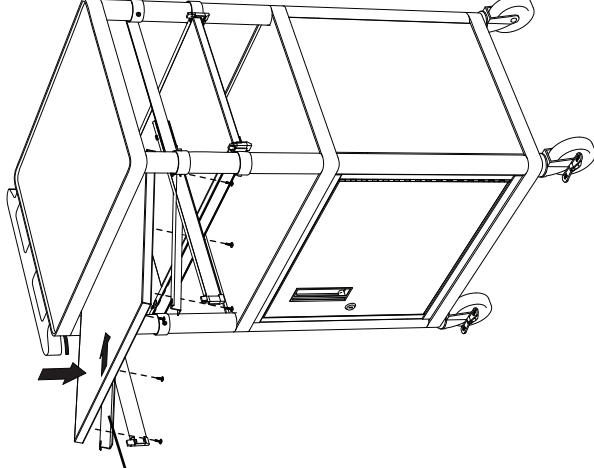
Step 7: Install bottom shelf, and secure in place with rubber mallet.



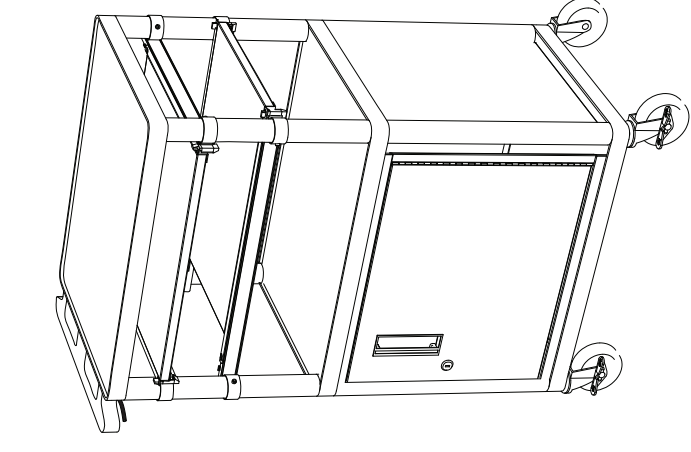
Step 4: Install middle shelf and secure in place with rubber mallet.



Step 8: Install Castors. Locking Castors toward the front of cart.



Step 10: Attach glide brackets to pull out shelf with 6 phillips screws per pull-out shelf.



Step 11: Pull out glides, slide shelf back and push down on front of shelf to lock in place.