

# Instruction Sheet - LP Model Tables

## Models LP-26 and LP-27 Two Shelf Mobile Tables

## Models LP-34, LP-40, LP-42, LP-48 and LP-54 Three Shelf Mobile Tables



Customer Service Dept  
2245 Delany Rd  
Waukegan, IL 60087  
Ph: 847/244-1800 • 800/323-4656  
Fax: 847/244-1818 • 800/327-1698



LP - Two Shelf Model



LP - Three Shelf Model

### PARTS LIST

#### Models LP26 & LP27

- 1 - Bottom shelf with casters sockets
- 1 - Top shelf with handle
- 4 - Long legs
- 4 - Casters (2 w/brake)
- 1 - Plug housing cover
- 2 - Sheet metal screws

#### Optional Electric Assembly:

- 1 - Electric cord
- 1 - Power cord retaining bracket
- 1 - Cord tie
- 3 - Sheet metal screws

#### Models LP34, LP40, LP42, LP48 & LP54

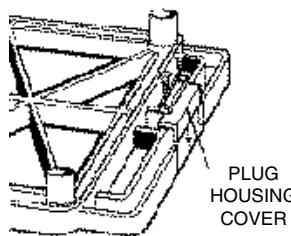
- 1 - Bottom shelf with casters sockets
- 1 - Top shelf with handle
- 1 - Center shelf with eight leg posts
- 4 - Short legs
- 4 - Long legs
- 4 - Casters (2 w/brake)
- 1 - Plug housing cover
- 2 - Sheet metal screws

#### Tools Required:

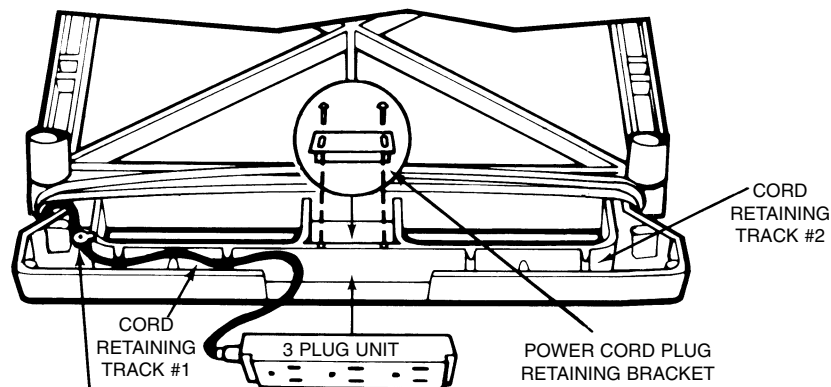
- 1 - Rubber Mallet
- 1 - Slotted Screwdriver

### IMPORTANT:

If your LP table does not have the Optional Electrical Assembly start by closing the electric plug housing in the handle of the top shelf as illustrated. If your LP table has the Optional Electric Assembly, see assembly instructions below. Start by assembling electric.



PLUG HOUSING COVER

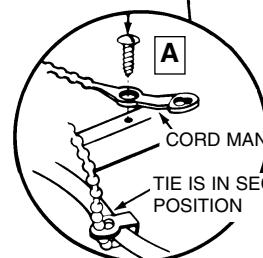


CORD RETAINING TRACK #2

CORD RETAINING TRACK #1

3 PLUG UNIT

POWER CORD PLUG RETAINING BRACKET



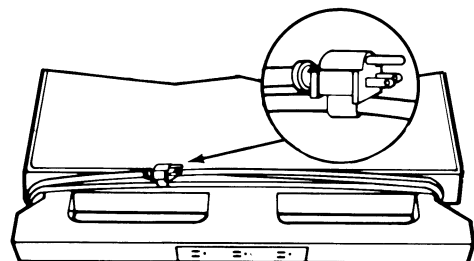
CORD MANAGEMENT TIE  
TIE IS IN SECURED POSITION

POWER CORD MANAGEMENT TIES

**1** Firmly seat electrical assembly 3 plug unit into handle plug housing as illustrated. Secure with power cord plug retaining bracket. Thread cord through cord retaining track and out the opening in the side of the handle.

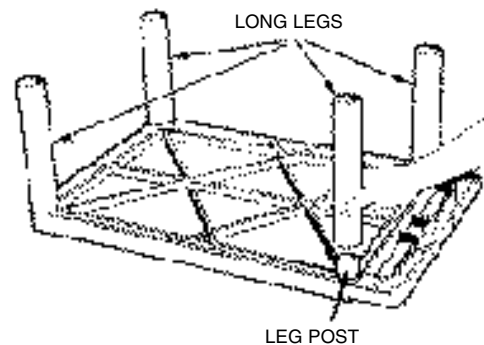
**2** Secure power cord management tie into starter hole with sheet metal screws. See illustration A. Secure with power cord management tie by wrapping tie around cord and fastening. Cut off any unnecessary extra length of tie.

**3** Wrap the cord around the handle.



**4** For safety and neat appearance secure cord plug to cord by utilizing plug snap.

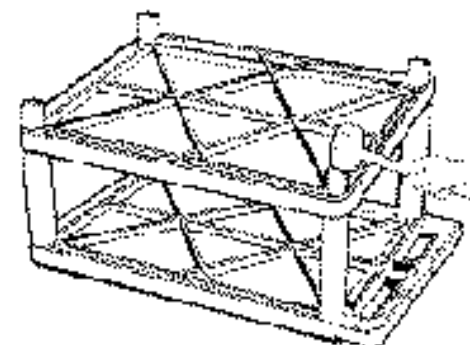
### Models LP-26 and LP-27



LONG LEGS

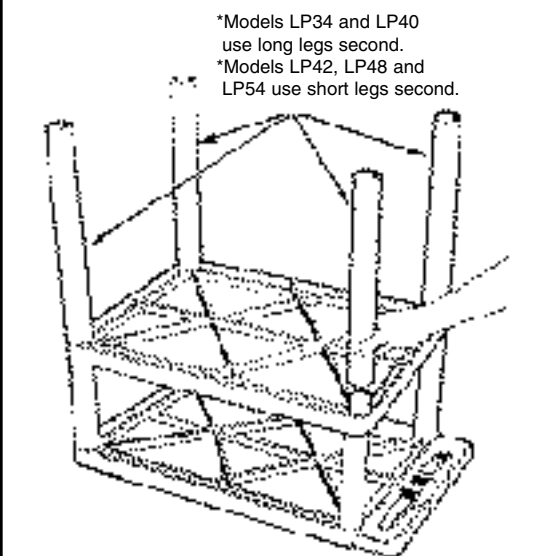
LEG POST

**1** Lay top shelf (with handle) ribbed side up on a smooth surface. Push all 4 legs onto leg posts.



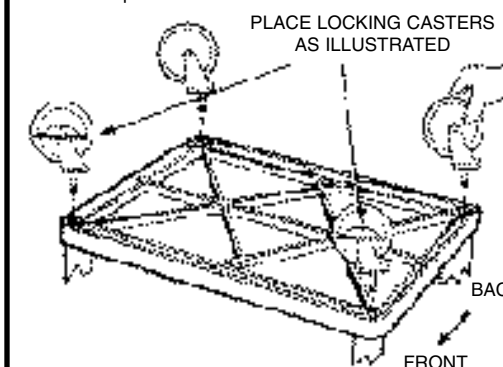
**2** Position center shelf (with 8 leg posts) ribbed side up, over the 4 legs and insert leg posts into legs. Using a rubber mallet, firmly hammer center shelf into legs until all 4 legs are seated (flush) against the surfaces of both shelves.

**2** Position bottom shelf, ribbed side up, over the 4 legs and insert leg posts into legs. Using a rubber mallet, firmly hammer bottom shelf into legs until all 4 legs are seated (flush) against the surfaces of both shelves.



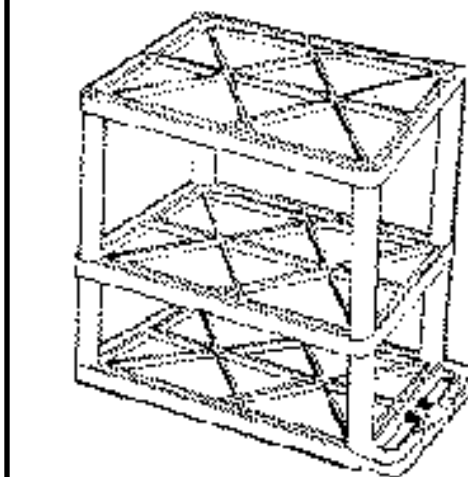
**3** Push remaining 4 legs into leg posts of center shelf.

**FOR BIG WHEEL ASSEMBLY.**  
See instructions in Big Wheel hardware pack.



PLACE LOCKING CASTERS AS ILLUSTRATED

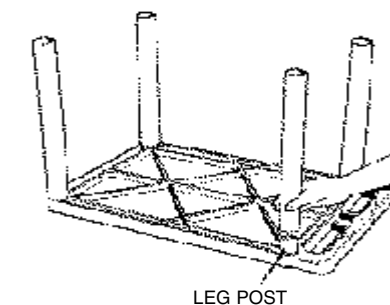
**3** Push the four casters firmly into the holes in each corner of the bottom shelf. Important: Casters must be fully seated. Tap firmly with rubber mallet to properly seat casters. Turn your LP table right side up. It is now ready for use.



**4** Position bottom shelf, ribbed side up, over the 4 legs and insert leg posts into legs. Using a rubber mallet, firmly hammer bottom shelf into legs until all 4 legs are seated (flush) against the surfaces of both shelves.

### Models LP-34, LP-40, LP-42, LP-48 and LP-54

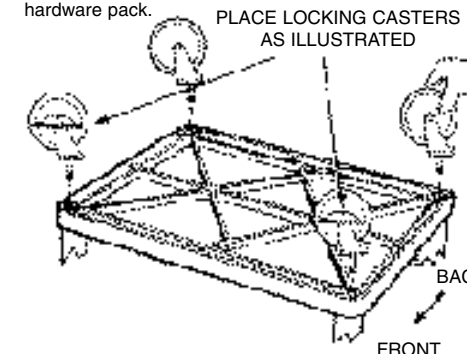
\*Models LP34 and LP40 use short legs first.  
\*Models LP42, LP48 and LP54 use long legs first.



LEG POST

**1** **Models LP-34 and LP-40:** Lay top shelf (with handle) ribbed side up on a smooth surface. Push all 4 short legs onto leg posts.  
**Models LP-42, LP-48 and LP-54:** Lay top shelf (with handle) ribbed side up on a smooth surface. Push all 4 long legs onto leg posts.

**FOR BIG WHEEL ASSEMBLY.**  
See instructions in Big Wheel hardware pack.



PLACE LOCKING CASTERS AS ILLUSTRATED

**5** Push the four casters firmly into the holes in each corner of the bottom shelf. Important: Casters must be fully seated. Tap firmly with rubber mallet to properly seat casters. Turn your LP table right side up. It is now ready for use.