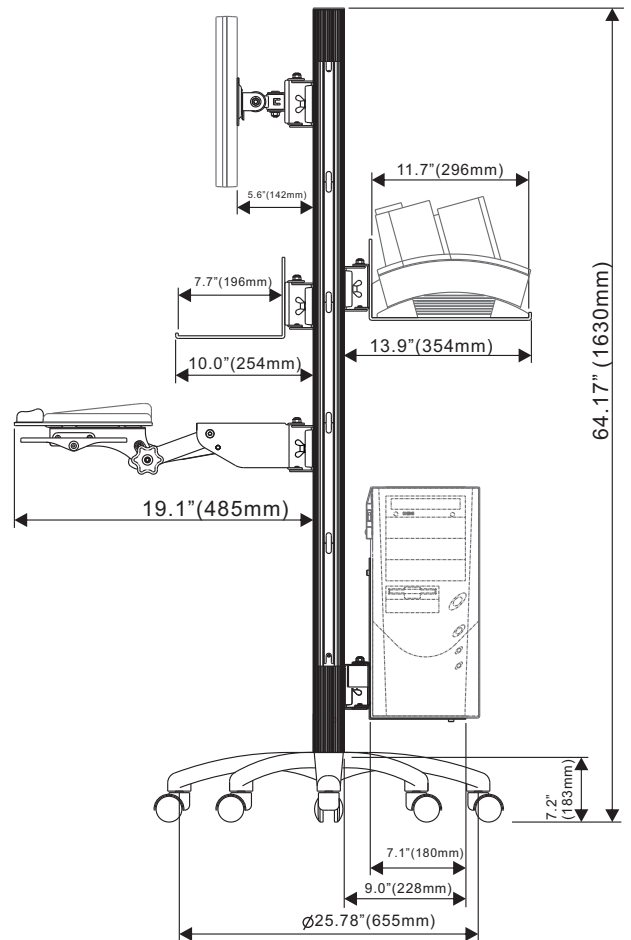
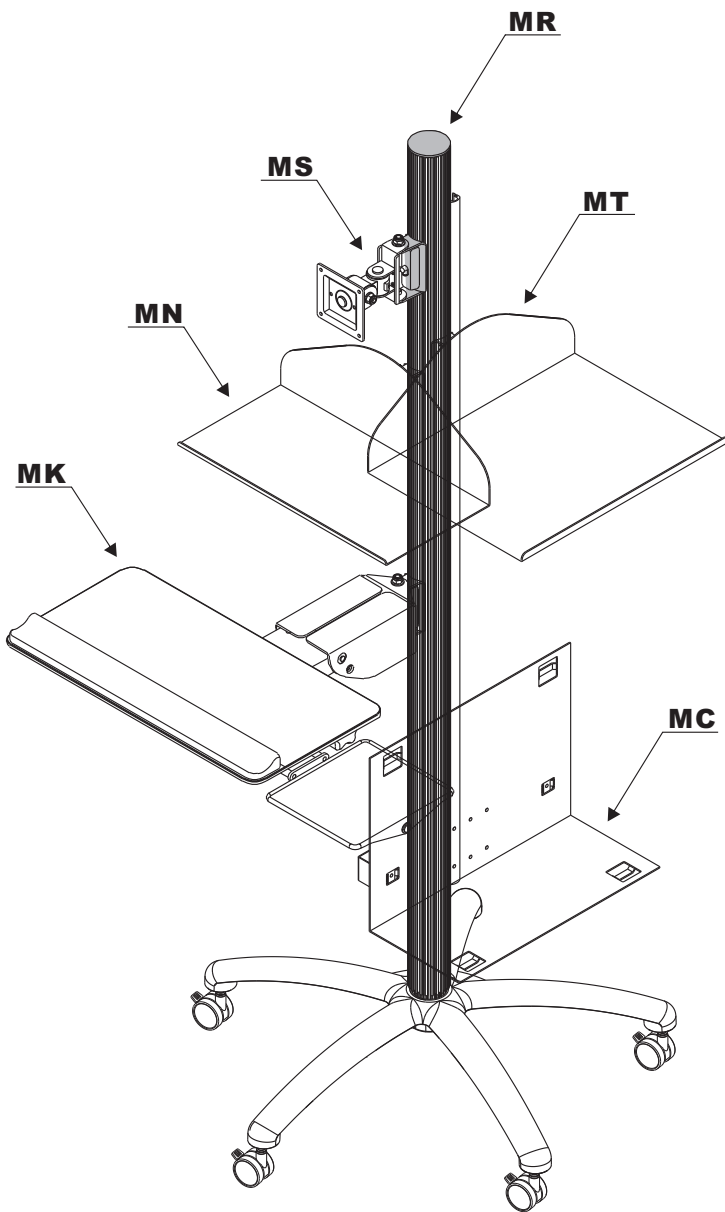


Instruction Sheet  
Model LSCW60



Customer Service Dept.  
2245 Delany Rd.  
Waukegan, IL 60087  
PH:847/244-1800 • 800/323-4656  
Fax:847/244-1818 • 800/327-1698

**Main Dimensions & Specs:**








Instruction Sheet  
Model LSCW60 (part MR)



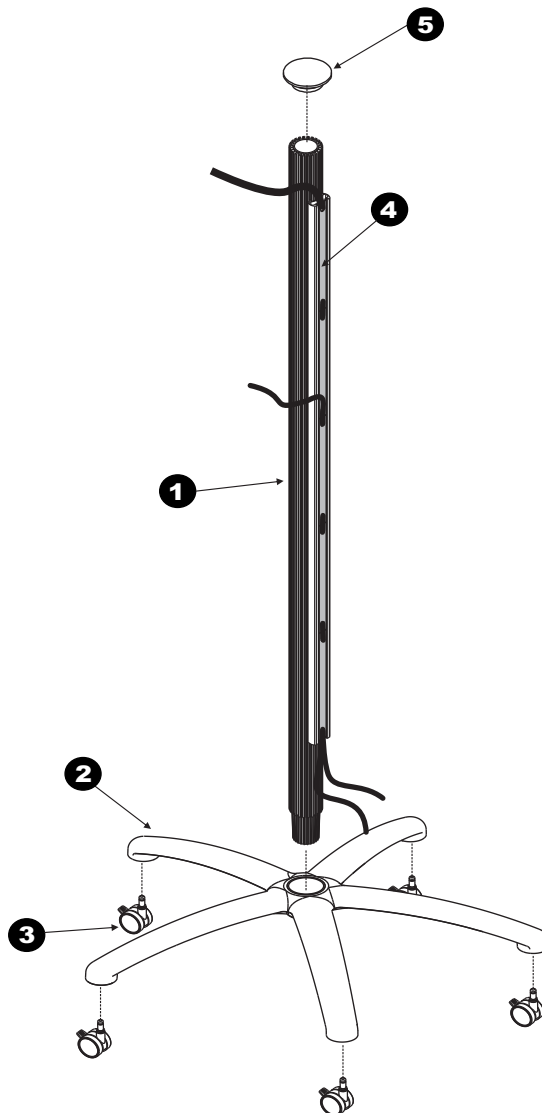
Customer Service Dept.  
2245 Delany Rd.  
Waukegan, IL 60087  
PH:847/244-1800 • 800/323-4656  
Fax:847/244-1818 • 800/327-1698

**Parts List**

ITEM	1	2	3	4	5
PARTS					
QTY	1	1	5	5	1

## How to install "MR"

Insert cables through conduit  
and then attach the cover.



Instruction Sheet  
Model LSCW60 (part MC)



Customer Service Dept.  
2245 Delany Rd.  
Waukegan, IL 60087  
PH:847/244-1800 • 800/323-4656  
Fax:847/244-1818 • 800/327-1698

**Parts List**

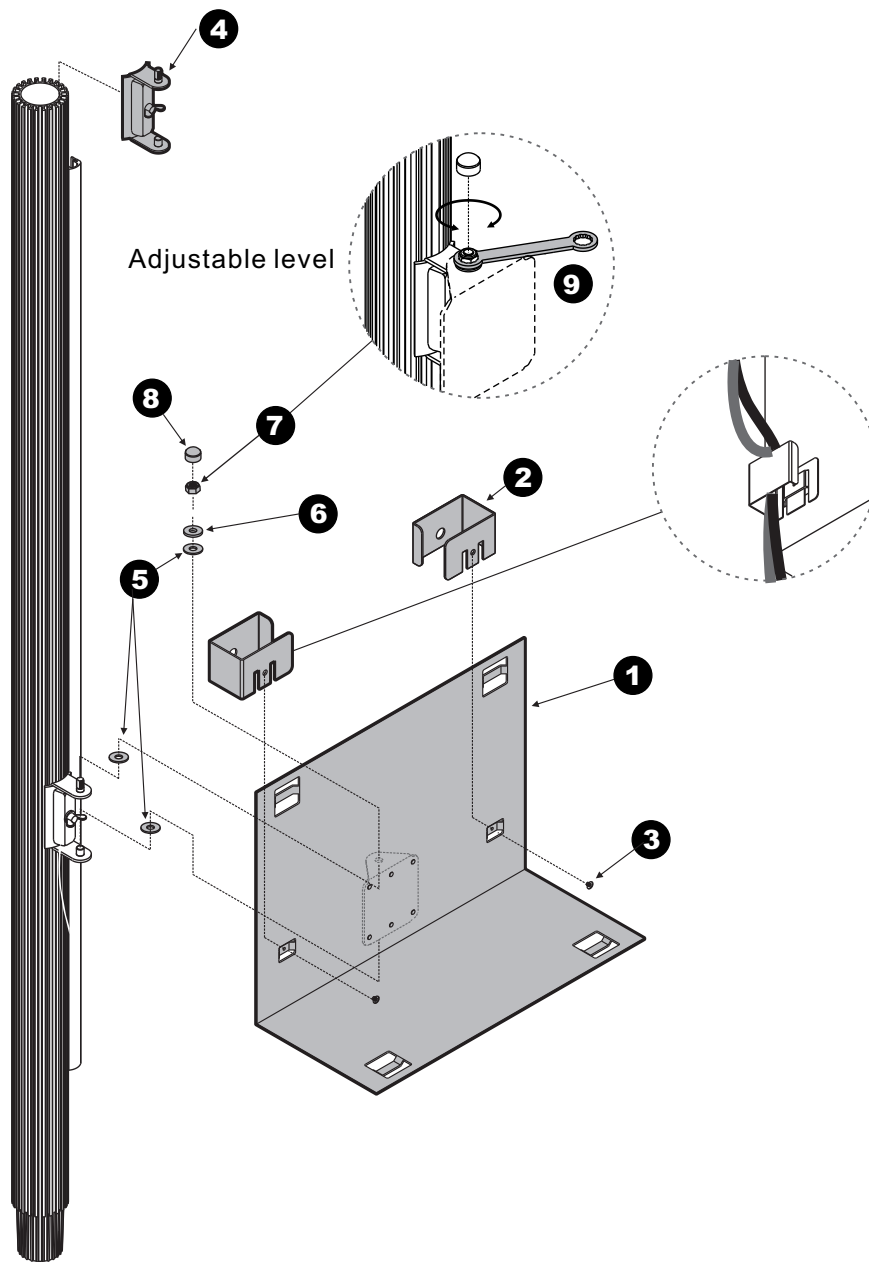
**MAIN PARTS**

ITEM	1	2	3	4	5	6	7	8
PART								
QTY	1	2	2	1	3	1	1	1

**TOOLS**

ITEM	9
PART	
QTY	1

# How to install "MC"



# Instruction Sheet Model LSCW60 (part MS)



Customer Service Dept.  
2245 Delany Rd.  
Waukegan, IL 60087  
PH:847/244-1800 • 800/323-4656  
Fax:847/244-1818 • 800/327-1698

## Parts List

### MAIN PARTS

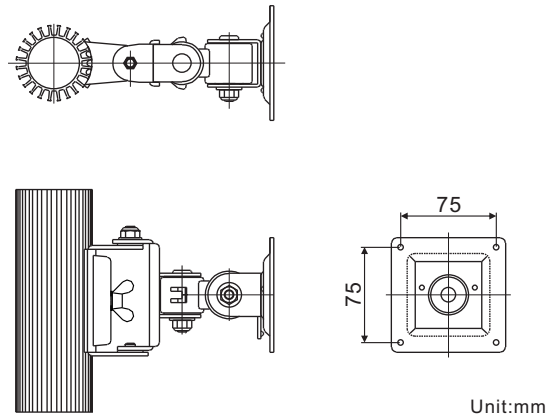
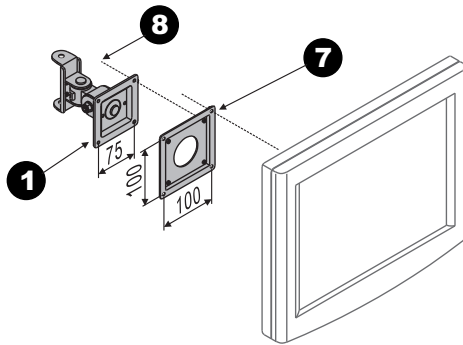
ITEM	1	2	3	4	5	6
PART						
QTY	1	1	3	1	1	2

### PARTS FOR MONITOR BRACKETS

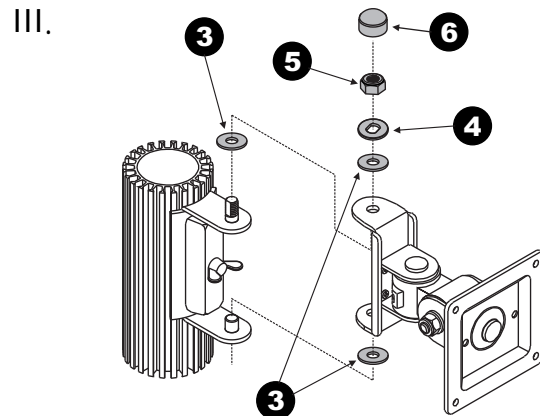
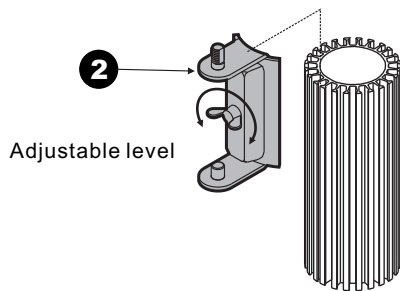
ITEM	7	8	9
PART			
QTY	1	8	1

## How to install "MS"

- I. \*Includes VESA standards:  
75x75 mm and/or 100x100 mm  
hole pattern bracket.



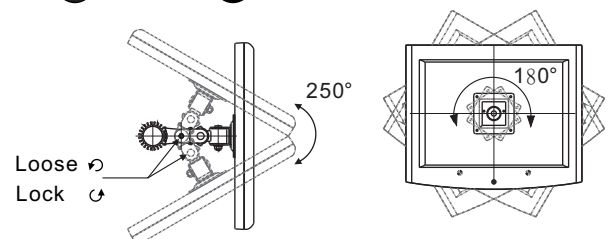
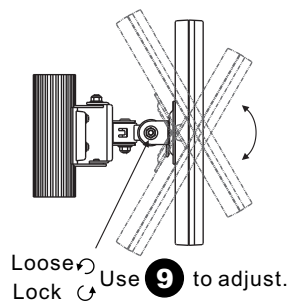
- II. Loosen the wing nut



Use 9 to adjust & 5 Nut.

### MS Features:

- Pivot upwards & downwards: 90°.
- Swivel left & right: 250°.
- LCD monitor swivel: 180°.



# Instruction Sheet Model LSCW60 (part MK)



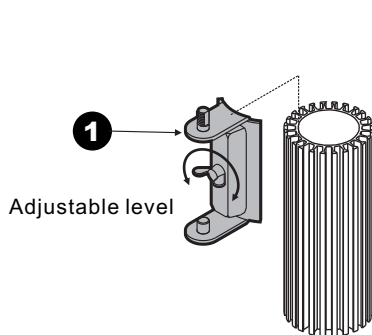
Customer Service Dept.  
2245 Delany Rd.  
Waukegan, IL 60087  
PH:847/244-1800 • 800/323-4656  
Fax:847/244-1818 • 800/327-1698

## Parts List

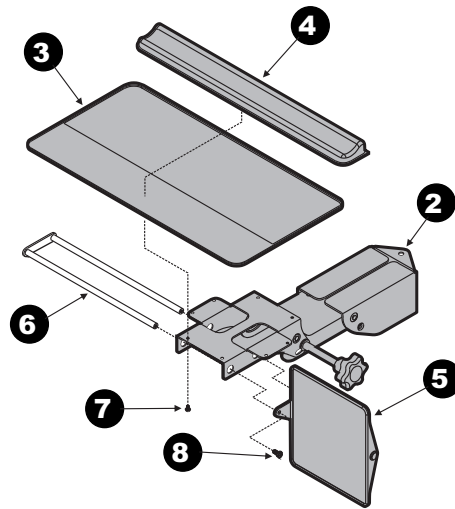
MAIN PARTS												TOOLS			
ITEM	1	2	3	4	5	6	7	8	9	10	11	12	ITEM	13	14
PART													PART		
QTY	1	1	1	1	1	1	6	2	3	1	1	1	QTY	1	1

## How to install "MK"

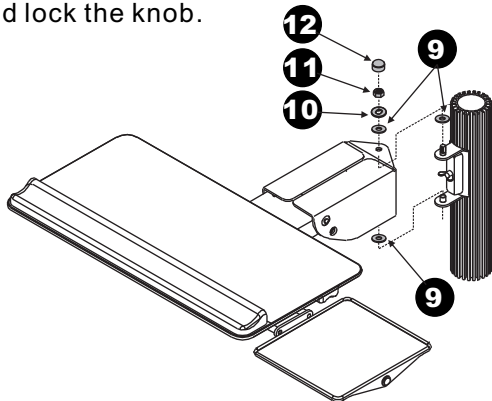
I. Loosen the wing nut.



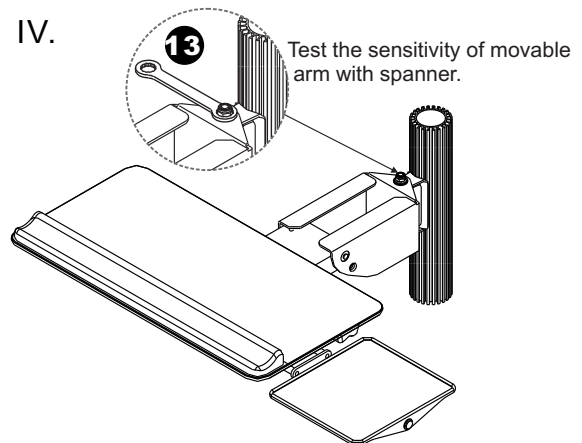
II. Select height and then set it using the knob.



III. Easily adjust the tilt of the platform, and lock the knob.

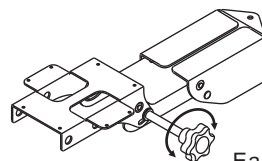


IV.



### MK Features:

- Base swivel: 150°.
- Max height adjustment: 145mm.
- Platform tilt adjustment range: +10° to -20°.
- Mouse pad rotation: 360°.
- Mouse pad position: left & right side.



Easy position adjustment.

Instruction Sheet  
 Model LSCW60 (part MT/MN)



Customer Service Dept.  
 2245 Delany Rd.  
 Waukegan, IL 60087  
 PH:847/244-1800 • 800/323-4656  
 Fax:847/244-1818 • 800/327-1698

**Parts List**

**MAIN PARTS**

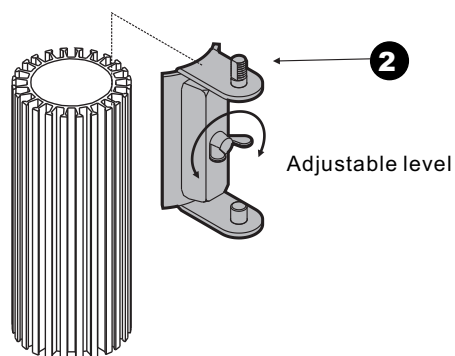
ITEM	1	2	3	4	5	6
PART						
QTY	1	1	3	1	1	1

**TOOLS**

ITEM	7
PART	
QTY	1

## How to install "MT/MN"

I. Loosen the wing nut.



II.

