

Instruction Sheet - Endura Presentation Table  
Model LT45CLL



Customer Service Department  
Luxor  
2245 Delany Road  
Waukegan, IL 60087  
Ph: 847/244-1800 • 800/323-4656  
Fax: 847/244-1818 • 800/327-1698



LT45CLL

**PARTS LIST**

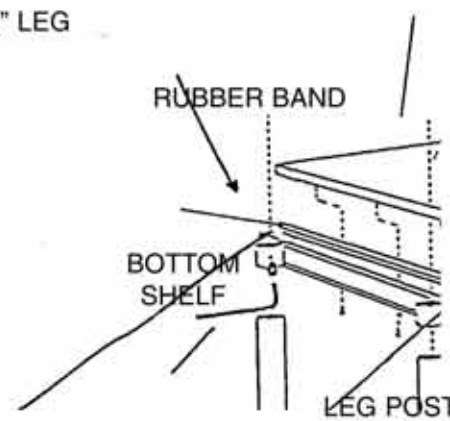
**Model LT45C**

- |                                   |                       |
|-----------------------------------|-----------------------|
| 1 - Top shelf w/handle            | 1 - Door in frame     |
| 2 - Shelves                       | 1 - Grommet cap       |
| 1 - bottom shelf w/caster sockets | 1 - Cord guide cover  |
| 4 - Short legs                    | 1 - Grommet ring      |
| 4 - Long legs                     | 1 - Rubber band       |
| 2 - Cabinet side panels           | 1 - Cord wrap         |
| 1 - Back panel                    | 1 - Keyboard assembly |
| 4 - Casters 2 with brake          |                       |

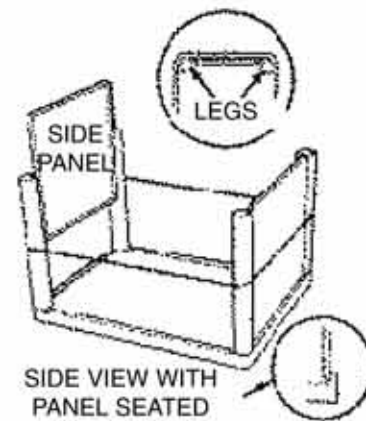
**Tools Required:**

Rubber mallet

**18" LEG**

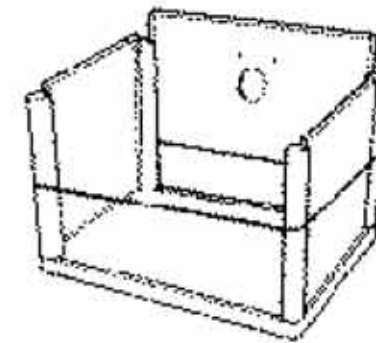


2 With bottom shelf facing up push all four 18" legs onto leg posts. Using rubber mallet hammer legs firmly into position. Legs must be seated (flush) against the shelf surface. Place rubber band around legs to aid in the assembly of cabinet side panels and doors.

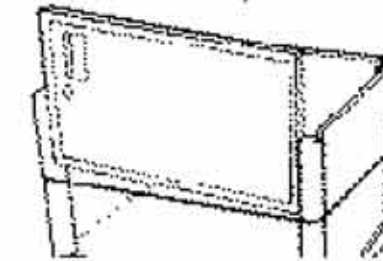


3 Install the side panels first. Slide panels down between legs until they are nested inside the shelf lip and flush against the shelf surface. Rubber band will hold legs and side panels in place while installing back panel and front door.

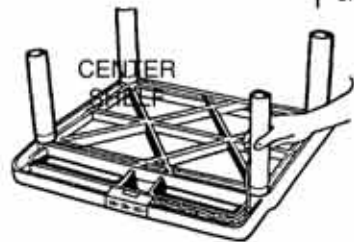
**TOP VIEW**



4 Install the back panel in the same manner as shown in Step #3. NOTE: Cabling hole in back panel should be toward the top.



5 Install door panel same as back panel, with door handle at top.

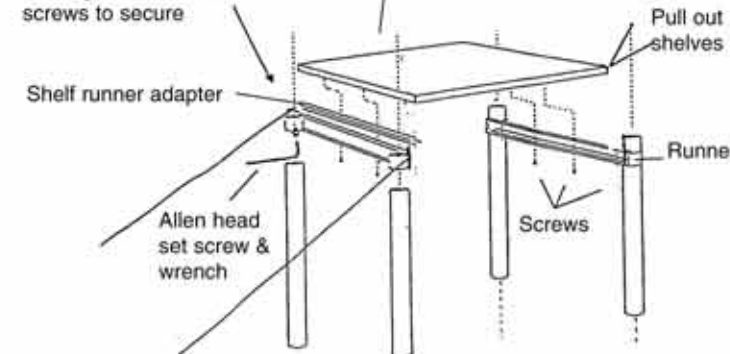


6 Begin seating of center shelf by holding door panel, leg and side panel as illustrated. Gently tap corner post into leg. Repeat on all 4 sides until all posts are partially inserted into legs. Now repeat hammering action more firmly going around to each shelf post and driving the leg posts more securely into the legs. Top of panels and door frame must be nested into the underside of the center shelf lip in the same manner as the bottom shelf.

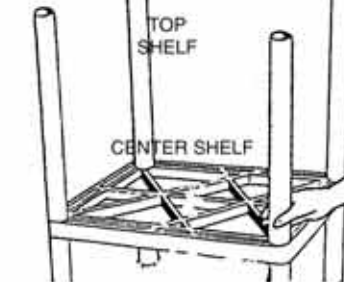
**7**

Install top legs onto middle shelf. **Install electric assembly and cord wrap before keyboard shelf (see reverse).** Insert keyboard runners onto legs with tab toward the direction the shelf pulls out which should be the opposite side of the cabinet door. (See diagram) Thread allen set screws into runners. Using allen wrench, tighten set screws until runners are secured. Take shelf runner adapter brackets and secure to pullout shelf using 1/2" sheet metal screws. NOTE: Adapter brackets have a hole on end, this is the front of the bracket. That hole must be on the side of the shelf with the rounded edge. Next, take shelf and slip rear of adapter bracket under tab on runner. Front of adapter has hole that goes over black locking tongue. Push down until it snaps into place.

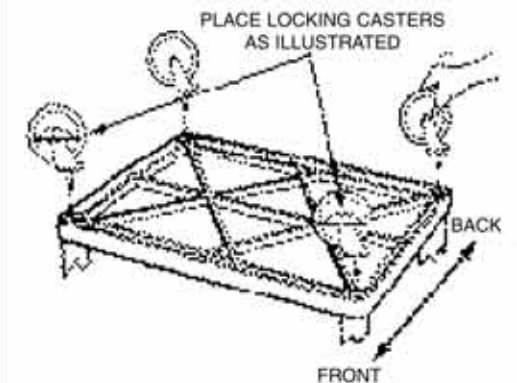
Set shelf height as desired then tighten allen head set screws to secure



**CORD GUIDE COVER** and **GROMMET CAP** and **GROMMET RING**



8 Place top shelf (with handle) onto legs. Insert leg posts into legs of top shelf. Using rubber mallet, firmly hammer top shelf into legs until all four legs are seated against shelf surface. install grommet ring and grommet cap into top of shelf. For tables with electric assembly, snap off cord guide cover form grommet cap to allow equipment plug to be run through grommet. Insert grommet cap into grommet ring. Remove rubber band.



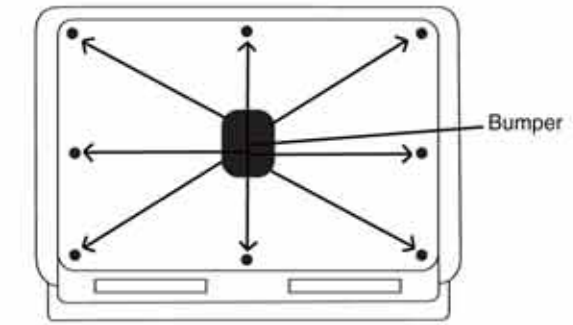
9 Push the four casters firmly into the holes in each corner of the bottom shelf. Important: casters must be fully seated. Tap firmly with rubber mallet to properly seat casters. Turn your Endura Table right side up.



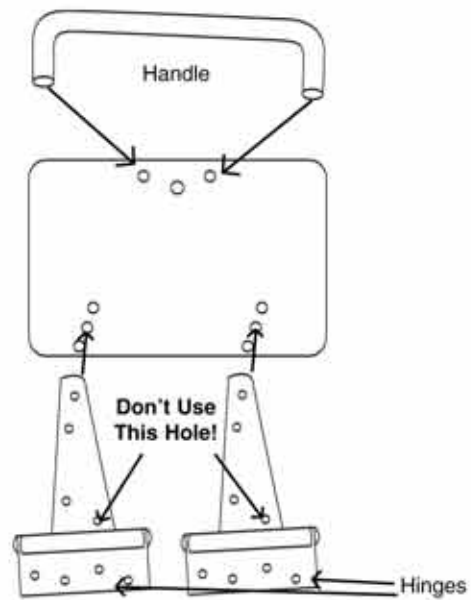
Instruction Sheet - Endura Presentation Table  
Model LT45CLL



Customer Service Department  
Luxor  
2245 Delany Road  
Waukegan, IL 60087  
Ph: 847/244-1800 • 800/323-4656  
Fax: 847/244-1818 • 800/327-1698

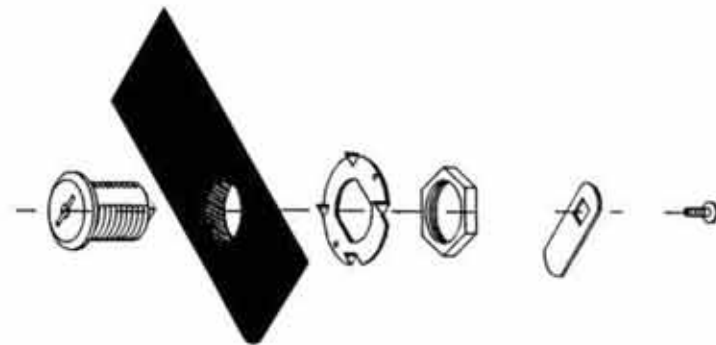


**Step 2**  
Place plastic bumpers as shown in the diagram.

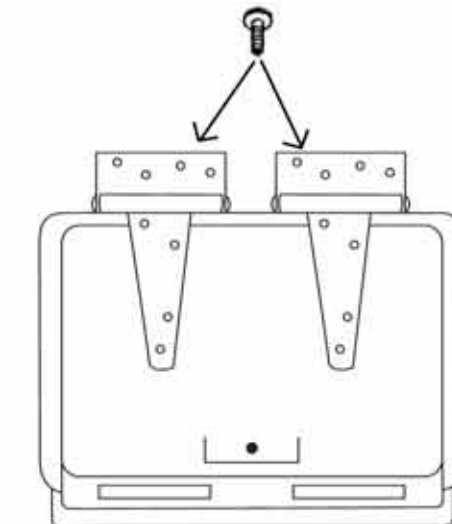


**Step 1**  
Align handle holes to the two predrilled holes on the lid and attach with two screws.

**Lid/Lock Assembly**



Attach the hinges as shown with six bolts and nuts. The last hole on the hinges won't be used.



**Step 3**  
Place lid on the top shelf and flip the back part of the hinge down to the back side of the top shelf and insert eight sheet metal screws into the plastic.

**PARTS LIST**

- 2 - Hinges 0089136
- 1 - Lid NB91247
- 8 - Bumpers 0091121
- 1 - Hardware pack
- 1 - Lock Assembly 0085132

