

Instruction Sheet - Endura Presentation Table  
Model LT45PC



Customer Service Department  
Luxor  
2245 Delany Road  
Waukegan, IL 60087  
Ph: 847/244-1800 • 800/323-4656  
Fax: 847/244-1818 • 800/327-1698



**PARTS LIST**

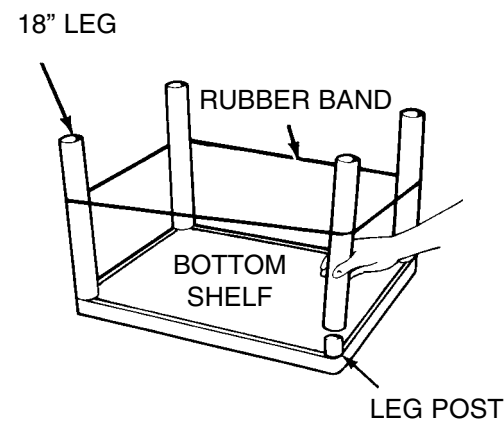
**Model LT45PC**

- 1 - Top shelf w/handle
- 1 - Center shelf w/eight leg posts
- 1 - bottom shelf w/caster sockets
- 4 - Short legs
- 4 - Long legs
- 2 - Cabinet side panels
- 1 - Back panel
- 4 - Casters 2 with brake

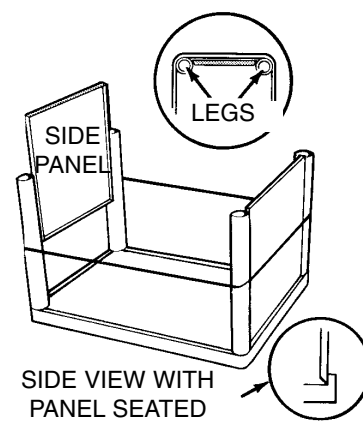
- 1 - Door in frame
- 1 - Grommet cap
- 1 - Cord guide cover
- 1 - Grommet ring
- 1 - Rubber band
- 1 - Cord wrap
- 1 - Keyboard assembly

**Tools Required:**

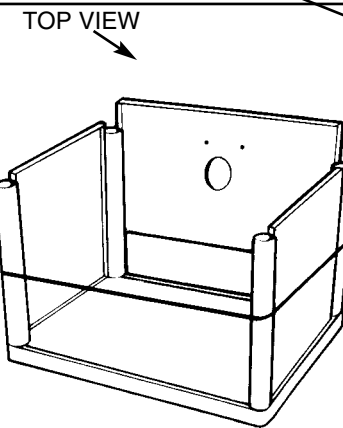
Rubber mallet



**2** With bottom shelf facing up push all four 18" legs onto leg posts. Using rubber mallet hammer legs firmly into position. Legs must be seated (flush) against the shelf surface. Place rubber band around legs to aid in the assembly of cabinet side panels and doors.

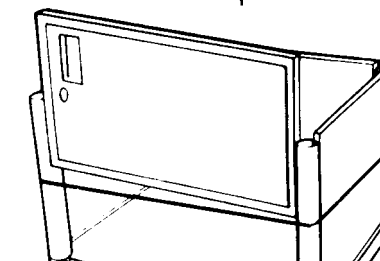


**3** Install the side panels first. Slide panels down between legs until they are nested inside the shelf lip and flush against the shelf surface. Rubber band will hold legs and side panels in place while installing back panel and front door.

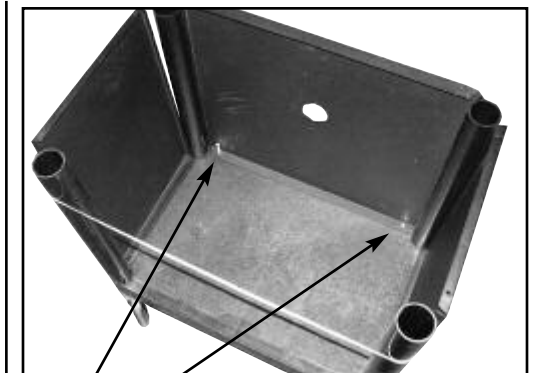


**4** Install the back panel in the same manner as shown in Step #3. NOTE: Cabling hole in back panel should be toward the top.

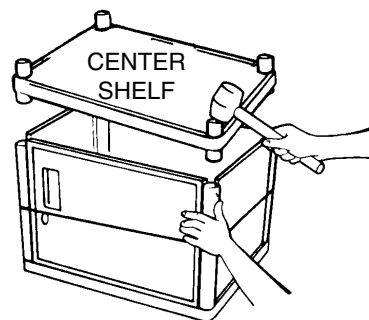
Front door faces away from bottom platform as pictured above.



**5** Install door panel same as back panel, with door handle at top.

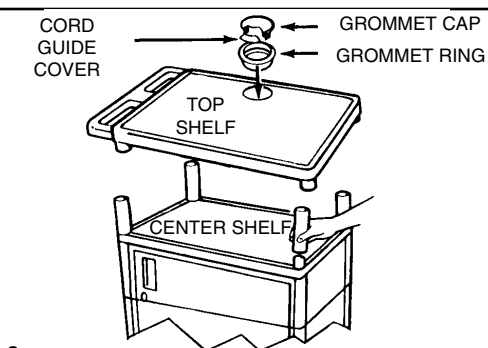
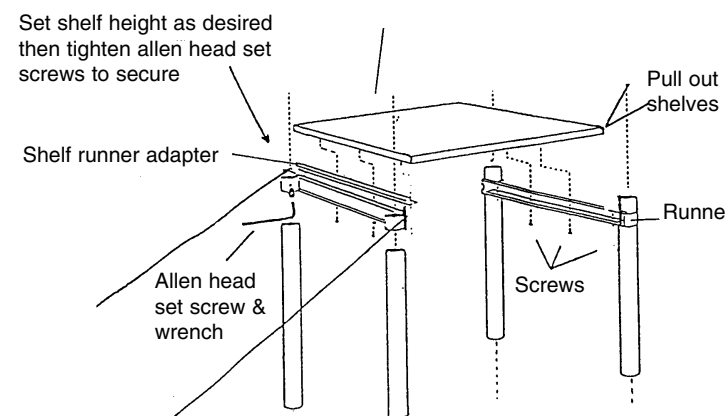


**6** Insert two bolts into pre-drilled holes on inside of back panel and fasten with nuts.

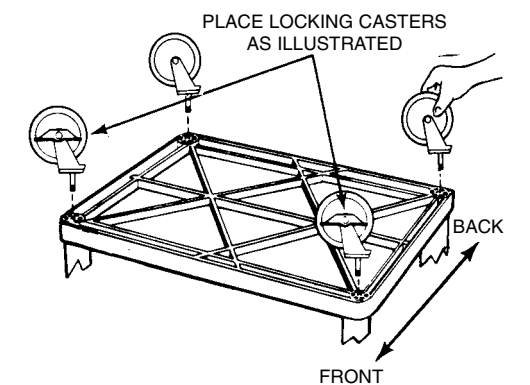


**6** Begin seating of center shelf by holding door panel, leg and side panel as illustrated. Gently tap corner post into leg. Repeat on all 4 sides until all posts are partially inserted into legs. Now repeat hammering action more firmly going around to each shelf post and driving the leg posts more securely into the legs.  
Top of panels and door frame must be nested into the underside of the center shelf lip in the same manner as the bottom shelf.

**7** Install top legs onto middle shelf. **Install electric assembly and cord wrap before keyboard shelf (see reverse).** Insert keyboard runners onto legs with tab toward the direction the shelf pulls out which should be the opposite side of the cabinet door. (See diagram)  
Thread allen set screws into runners.  
Using allen wrench, tighten set screws until runners are secured. Take shelf runner adapter brackets and secure to pullout shelf using 1/2" sheet metal screws. NOTE: Adapter brackets have a hole on end, this is the front of the bracket. That hole must be on the side of the shelf with the rounded edge.  
Next, take shelf and slip rear of adapter bracket under tab on runner. Front of adapter has hole that goes over black locking tongue. Push down until it snaps into place.



**8** Place top shelf (with handle) onto legs. Insert leg posts into legs of top shelf. Using rubber mallet, firmly hammer top shelf into legs until all four legs are seated against shelf surface. install grommet ring and grommet cap into top of shelf. For tables with electric assembly, snap off cord guide cover form grommet cap to allow equipment plug to be run through grommet. Insert grommet cap into grommet ring. Remove rubber band.



**9** Push the four casters firmly into the holes in each corner of the bottom shelf. Important: casters must be fully seated. Tap firmly with rubber mallet to properly seat casters. Turn your Endura Table right side up.

