

Instruction Sheet Models LTE-5 and LTE-6

Customer Service Dept

Luxor

2245 Dellany Rd

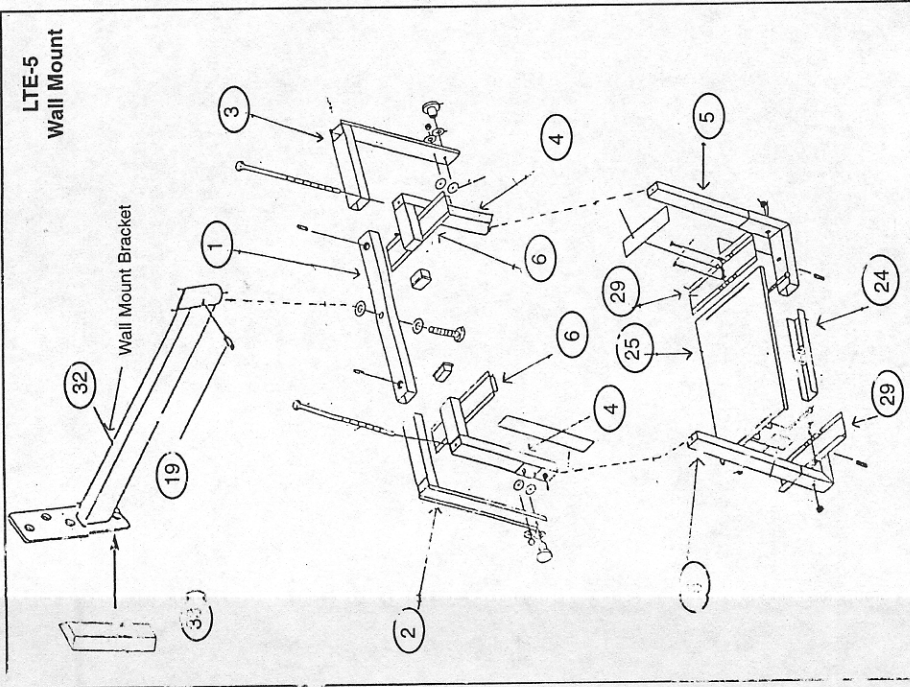
Vaukegan, IL 60087

Ph: 847/244-1800 • 800/323-4656

Fax: 847/244-1818 • 800/327-1698

PARTS LIST

- | | | | |
|------------------------------|--------------------------------|---------------------------------|------------------------------|
| 1 - FORCE ARM (#1) | 2 - 3/8" NYLON NUT (#9) | 4 - 10" SAFETY STRIPS (#17) | 1 - PLATE FOR TV (#25) |
| 1 - LEFT EXTENSION BAR (#2) | 2 - 5/16" ADJUSTING NUT (#10) | 6 - BRAKE SCREWS (#18) | 2 - 2 1/2" SCREWS (#26) |
| 1 - RIGHT EXTENSION BAR (#3) | 8 - 3/8" SCREWS (#11) | 1 - LONG BRAKE SCREW (#19) | 4 - 1/4" NUT (#27) |
| 2 - TOP HOLDER (#4) | 4 - NYLON WASHERS (#12) | 1 - 1 3/4" SCREW (#20) | 4 - 3/8" WASHER (#28) |
| 2 - LOWER HOLDER (#5) | 2 - 3/4" WASHERS (#13) | 1 - 5/16" NYLON NUT (#21) | 2 - LOWER HOLD (#29) |
| 2 - TOP HOLD PLATE (#6) | 2 - END CAPS (#14) | 1 - EXTENSION SUPPORT (#22) | 2 - 1 1/2" SCREW (#30) |
| 1 - 3/4" SCREW (#7) | 2 - SAFETY STRIP 13 1/4" (#15) | 1 - CEILING MOUNT BRACKET (#23) | 1 - ALLEN KEY (#31) |
| 2 - 13 5/8" LONG SCREWS (#8) | 2 - SAFETY STRIP 2 3/4" (#16) | 1 - LOWER FORCE ARM (#24) | 1 - WALL MOUNT BRACKET (#33) |
| 1 - WALL BRACKET COVER (#33) | 1 - SAFETY STRAP | | |

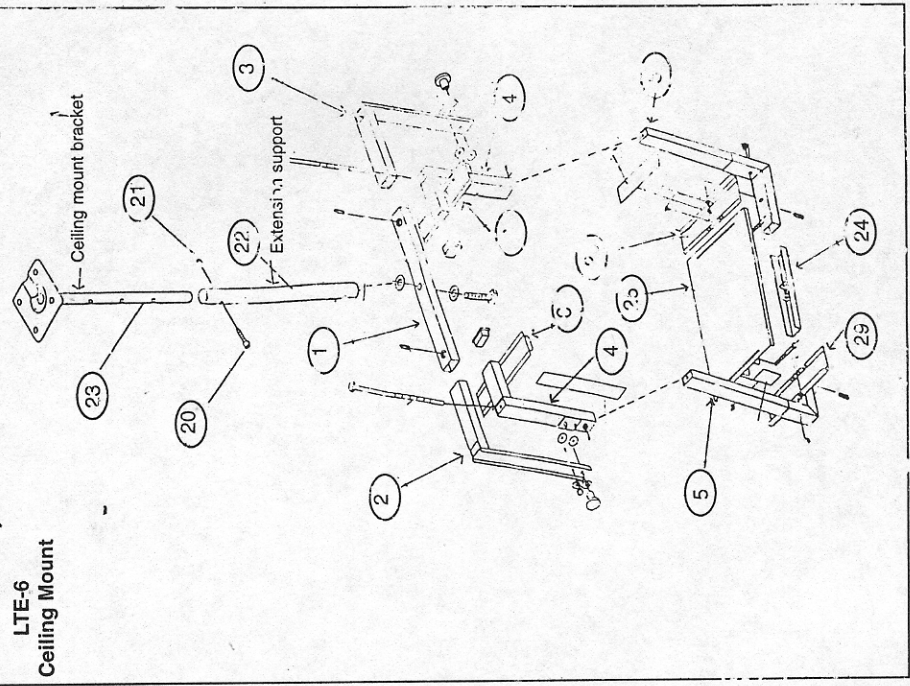


LTE-5
Wall Mount

NOTE: Wall bracket cover must be placed on wall bracket before attaching other parts.

INSTRUCTIONS:

1. Separate parts.
2. Install the ceiling mount bracket or the wall mount bracket first. Connect the extension support bar to the ceiling mount bracket or the wall mount bracket using the 1 3/4" screw and a 5/16" nut.
3. Take 3/4" large screw, two 3/4" washers, and the force arm and mount to the extension support. Slide the left extension bar and the right extension bar into the force arm. Using 3/8" brake screws, tighten down the left and the right extension bars.
4. Install the top hold plates to the top holders using a 3/8" screw. Insert lower holders into upper holders and connect together using the 10 1/2" screws. Connect the assembled holders to the right and left extension bars using two 3/8" washers, one adjusting nut, and one 3/8" nut.
5. Insert the lower support bar into the lower holders. Mount the lower hold support using 3/8" screw. Take the plate and mount to the lower support using 2 1/2" screws and 1/4" nuts. Finally, attach the safety strips.



LTE-6
Ceiling Mount

