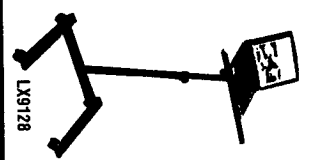


Instruction Sheet
Model LX9128



Customer Service Dept
 2245 Delany Rd
 Waukegan, IL 60087
 Ph: 847/244-1800 • 800/323-4656
 Fax: 847/244-1818 • 800/327-1698

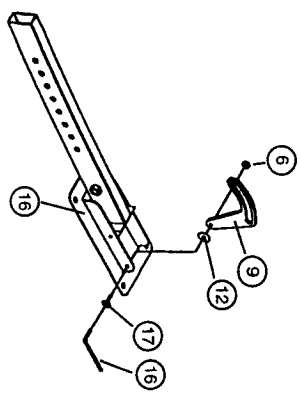


- Wood top = 1
 Right leg = 1
 Left leg = 1
 Base = 1
 Upper support = 1
 Tension knob = 1
 Tilt guide knob = 1
 Tilt guide = 1
 Plastic collar = 1

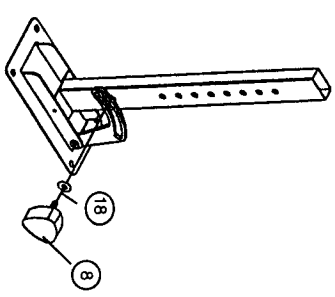
- Paper guard = 1
 Caster w/brake = 2
 Caster w/o brake = 2
 Inner plastic collar = 1
 Allen wrench = 1
 1/2" bolt = 12
 Locking nut = 1
 Washer = 1
 Washer = 1 (larger size)

Parts List

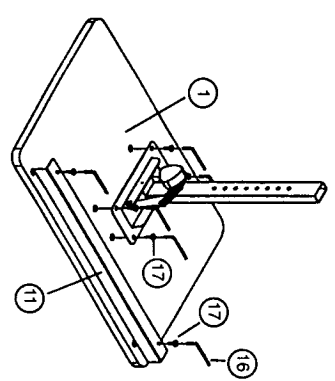
Step 1
 Identify parts.
 Attach the tilt guide to the upper support using 1/2" bolt one washer, and one locking nut.



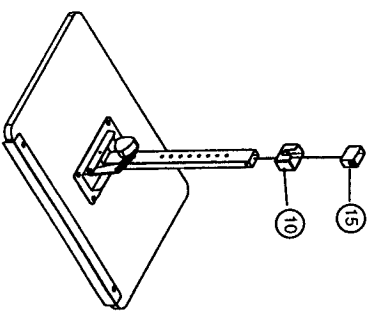
Step 2
 Insert the shorter threaded knob and one washer through the tilt guide and into the threaded hole on the upper support.



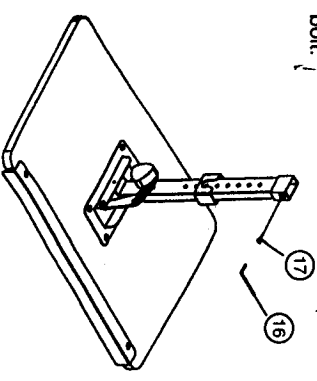
Step 3
 Align the four holes on the upper support to the four holes on the top and bolt down with 1/2" bolts. Attach paper guard to the two threaded holes on the wood top using two 1/2" bolts.



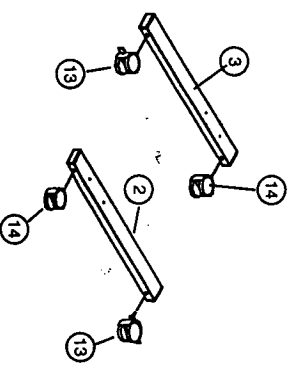
Step 4
 Slide the locking collar and the inner plastic collar onto the upper support.



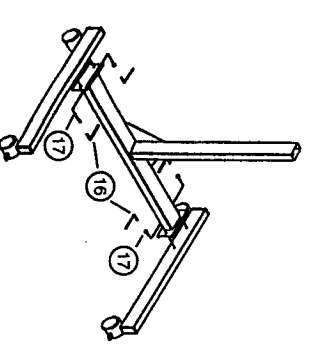
Step 5
 Align the inner plastic collar to the hole on the bottom of the upper support and attach with 1/2" bolt.



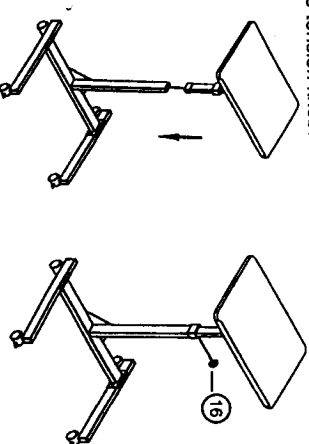
Step 6
 Install casters to the right and left legs. Casters w/brake go opposite of the two holes on the side of the legs.



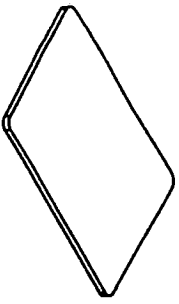
Step 7
 Align the two holes on the left and right legs to the two holes on the leg supports on the base. Bolt down using 4 - 1/2" bolts.



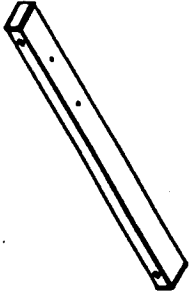
Step 8/9
 Slide assembled top half onto the base. Align hole on the upper support to the threaded hole on the base to desired height and tighten down with the tension knob.



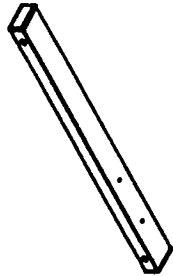
Parts List



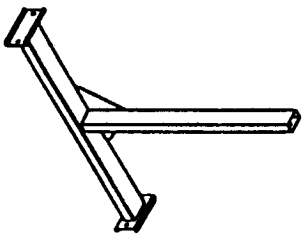
1. Wood top = 1



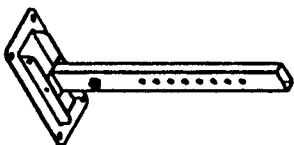
2. Right leg = 1



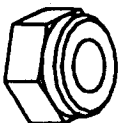
3. Left leg = 1



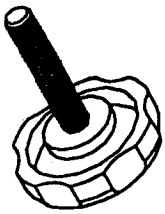
4. Base = 1



5. Upper support = 1



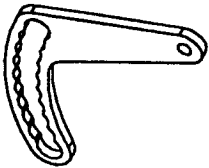
6. Locking nut = 1



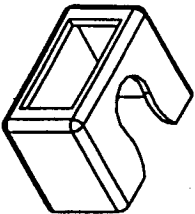
7. Tension knob = 1



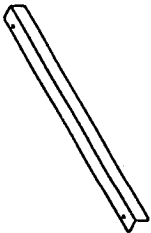
8. Tilt guide knob = 1



9. Tilt guide = 1



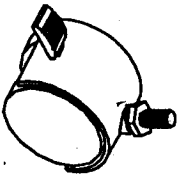
10. Plastic collar = 1



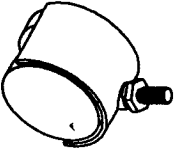
11. Paper guard = 1



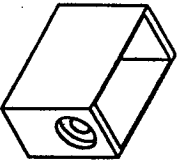
12. Washer = 1



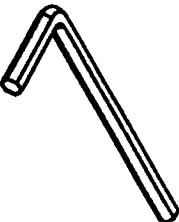
13. Caster w/brake = 2



14. Caster w/o brake = 2



15. Inner plastic collar = 1



16. Allen wrench = 1



17. 1/2" bolt = 12



18. Washer = 1
(large size)