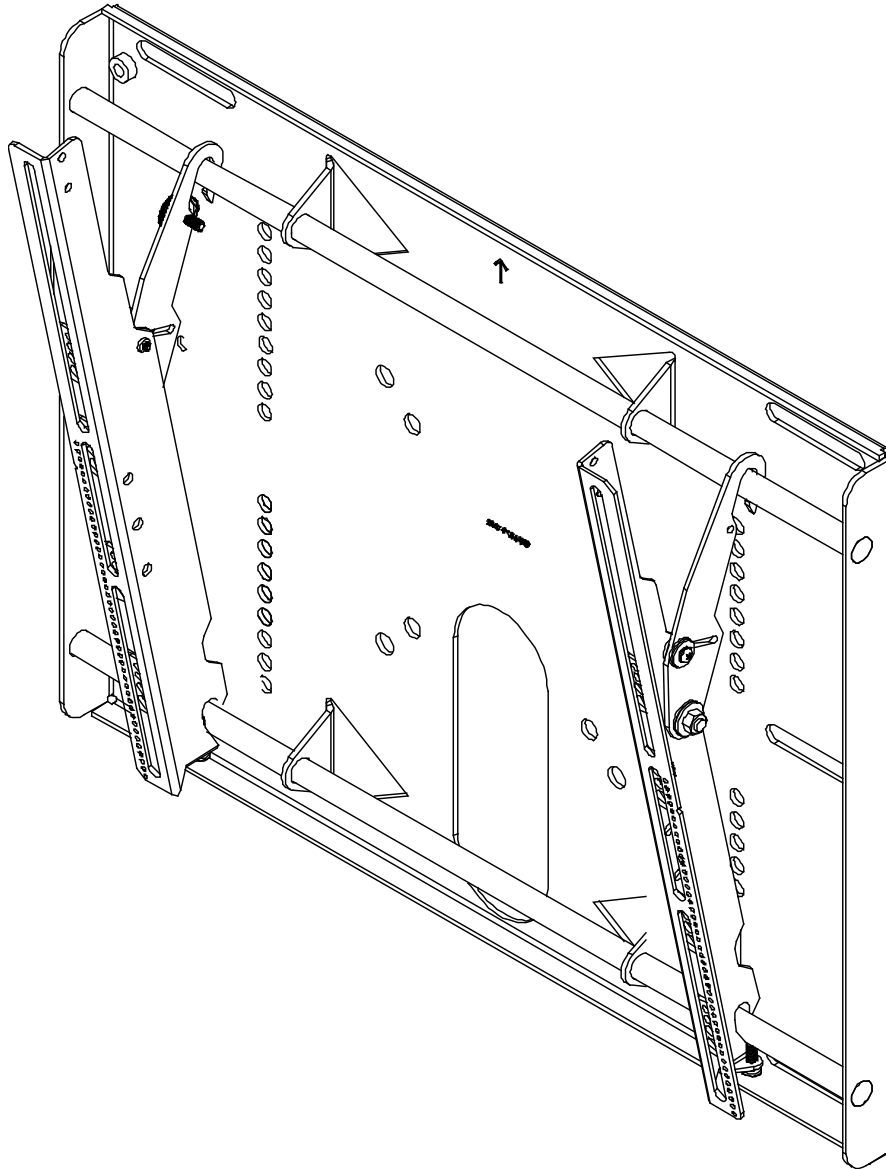


INSTALLATION INSTRUCTIONS



CTM-MS1

Flat Panel Display Mount (26" to 37")

NORTH AMERICA

3130 East Miraloma Avenue
Anaheim, CA 92806 USA
USA and Canada –
Phone: 800-368-9700
Fax: 800-832-4888

EUROPE

Swallow House,
Shilton Industrial Estate,
Shilton, Coventry, England CV79JY
Phone: +44 (0) 2476 614700
Fax: +44 (0) 2476 614710

Other Locations – Phone: (001)-714-632-7100; Fax: (001)-714-632-1044

©Premier Mounts 2008
9531-000-301-03



Table of Contents

Warning Statements - 2 -

Parts List - 3 -

Installation Tools - 3 -

Mounting Bracket Installation - 7 -

CTM-MS1 Installation - 10 -

Installing the Flat Panel Display - 12 -

Technical Specifications - 15 -

Warranty - 16 -

Warning Statements



PRIOR TO THE INSTALLATION OF THIS PRODUCT, THE INSTALLATION INSTRUCTIONS SHOULD BE READ AND COMPLETELY UNDERSTOOD. THE INSTALLATION INSTRUCTIONS MUST BE READ TO PREVENT PERSONAL INJURY AND PROPERTY DAMAGE. KEEP THESE INSTALLATION INSTRUCTIONS IN AN EASILY ACCESSIBLE LOCATION FOR FUTURE REFERENCE.



PREMIER MOUNTS DOES NOT WARRANT AGAINST DAMAGE CAUSED BY THE USE OF ANY PREMIER MOUNTS PRODUCT FOR PURPOSES OTHER THAN THOSE FOR WHICH IT WAS DESIGNED OR DAMAGE CAUSED BY UNAUTHORIZED ATTACHMENTS OR MODIFICATIONS, AND IS NOT RESPONSIBLE FOR ANY DAMAGES, CLAIMS, DEMANDS, SUITS, ACTIONS OR CAUSES OF ACTION OF WHATEVER KIND RESULTING FROM, ARISING OUT OF OR IN ANY MANNER RELATING TO ANY SUCH USE, ATTACHMENTS OR MODIFICATIONS.



THE SURFACE MUST BE CAPABLE OF SUPPORTING AT LEAST FIVE TIMES THE WEIGHT OF THE DISPLAY. IF NOT, THE MOUNTING STRUCTURE MUST BE REINFORCED. THE MAXIMUM WEIGHT THAT CAN BE USED WITH THIS PRODUCT IS 160LBS. PROPER INSTALLATION PROCEDURE BY A QUALIFIED SERVICE TECHNICIAN, AS OUTLINED IN THE INSTALLATION INSTRUCTIONS, MUST BE ADHERED TO. FAILURE TO DO SO COULD RESULT IN SERIOUS PERSONAL INJURY, OR EVEN DEATH.



SAFETY MEASURES MUST BE PRACTICED AT ALL TIMES DURING THE ASSEMBLY OF THIS PRODUCT. USE PROPER SAFETY GEAR AND TOOLS FOR THE ASSEMBLY PROCEDURE TO PREVENT PERSONAL INJURY.



At least two qualified people should perform the assembly procedure. Injury and/or damage can result from dropping or mishandling the display.



If mounting to studs, make sure that the mounting screws are anchored into the center of the studs. Use of an edge-to-edge stud finder is recommended.



Be aware of the mounting environment. If drilling and/or cutting into the mounting surface, always make sure that there are no electrical wires in wall. Cutting/drilling into an electrical line may cause serious injury.



Make sure there are no water lines inside the wall where the mount is to be located. Cutting/drilling into a water line may cause severe water damage to the mounting surface.



This product is intended for indoor use only. Use of this product outdoors could lead to product failure and personal injury.



Do not install near sources of high heat. Do not install on a structure that is prone to vibration, movement or chance of impact



It is recommended that protective eyewear be worn at all times during the installation.



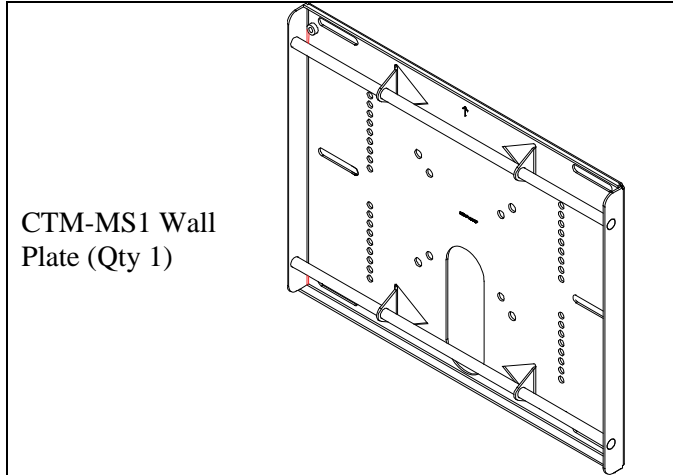
Contact Premier Mounts with any questions
(800) 368-9700
techsupport@mounts.com

Parts List

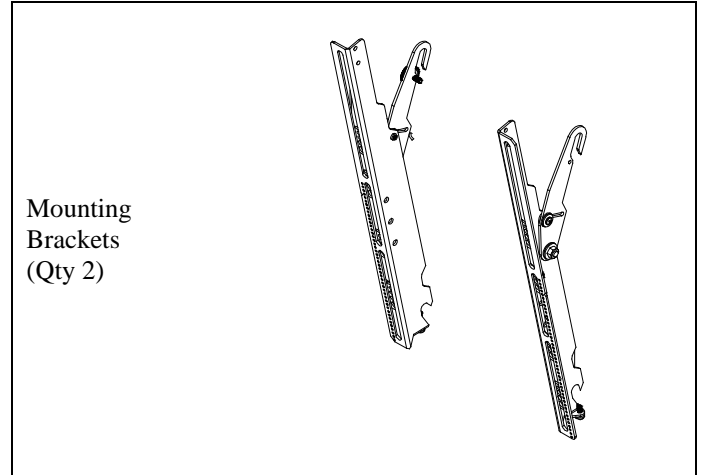


Note

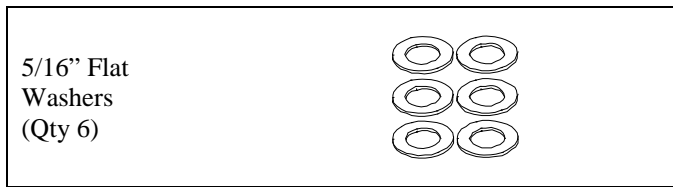
This wall mount is shipped with all proper installation hardware and components. Make sure that none of these parts are missing and/or damaged before beginning installation. If there are parts missing and/or damaged, please stop the installation and contact Premier Mounts (800-368-9700).



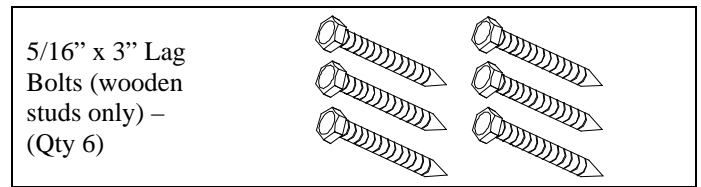
CTM-MS1 Wall Plate (Qty 1)



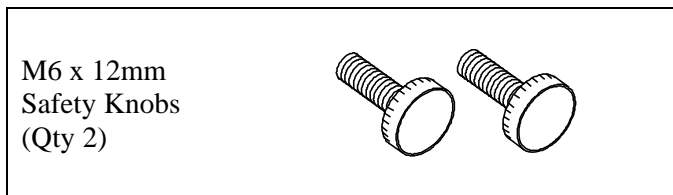
Mounting Brackets (Qty 2)



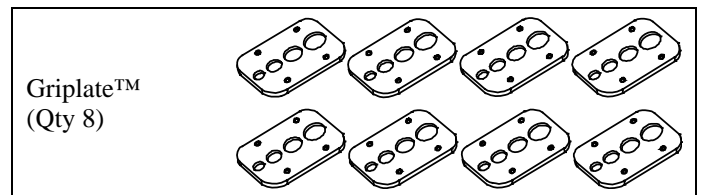
5/16" Flat Washers (Qty 6)



5/16" x 3" Lag Bolts (wooden studs only) – (Qty 6)



M6 x 12mm Safety Knobs (Qty 2)



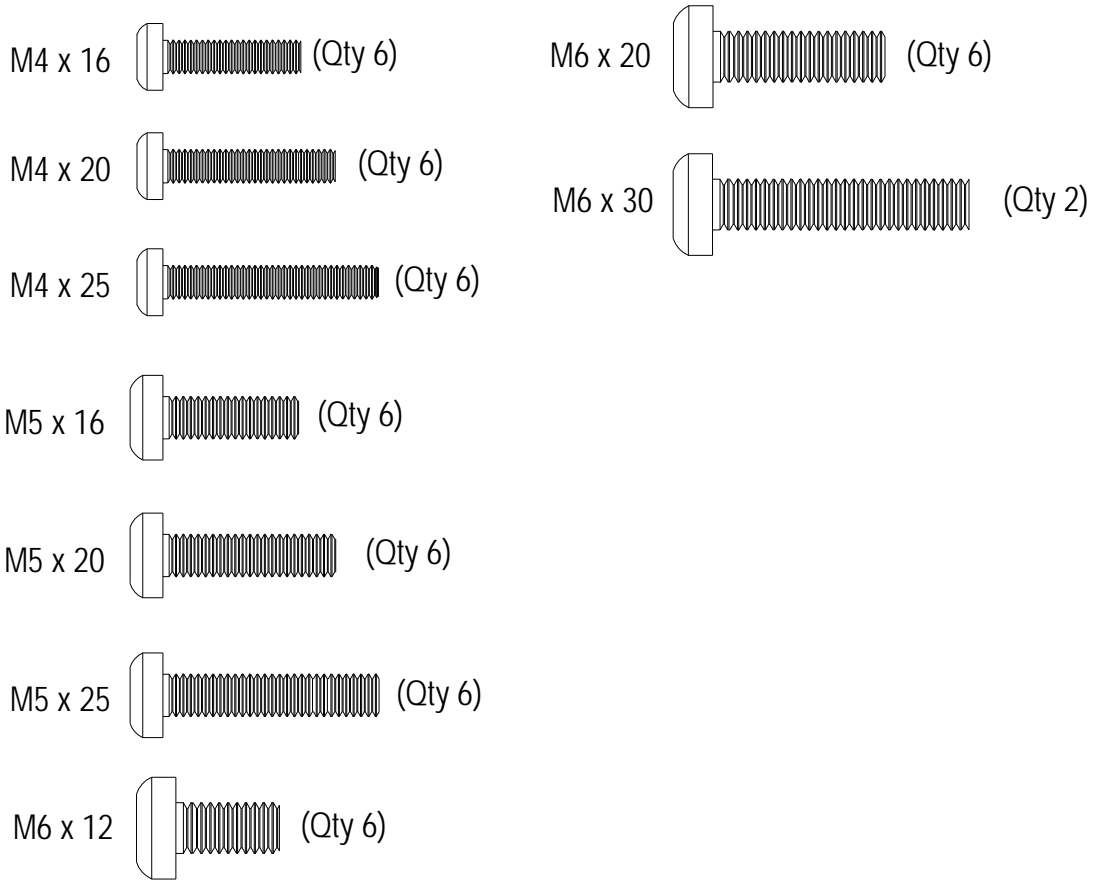
Griplate™ (Qty 8)

Installation Tools

Phillips Head Screw Driver
Pencil
Level

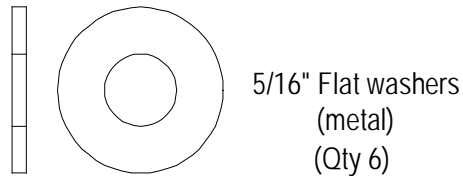
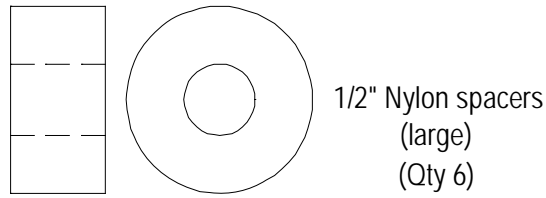
Soft Material/ Blanket
Tape Measure
Thread Depth Indicator (Supplied)

1/2" Socket and Wrench
Drill Gun



Nylon spacers and flat washers actual size

NOTE: The nylon spacers may be staked to achieve proper spacing.



Thread Depth Indicator

1. Insert the thread depth indicator (supplied) through the thread inserts found on the back of the flat panel to make sure the inserts measure the same full depth and mark it.
2. Locate the correct diameter screw for the thread insert. Compare your marking to the screws (supplied).
3. If your selected screw is longer than the marking on the thread depth indicator, DO NOT USE this screw.
4. The screw length must not bypass the marking. Select another screw size, until you find one that comes closest to your mark without going past.

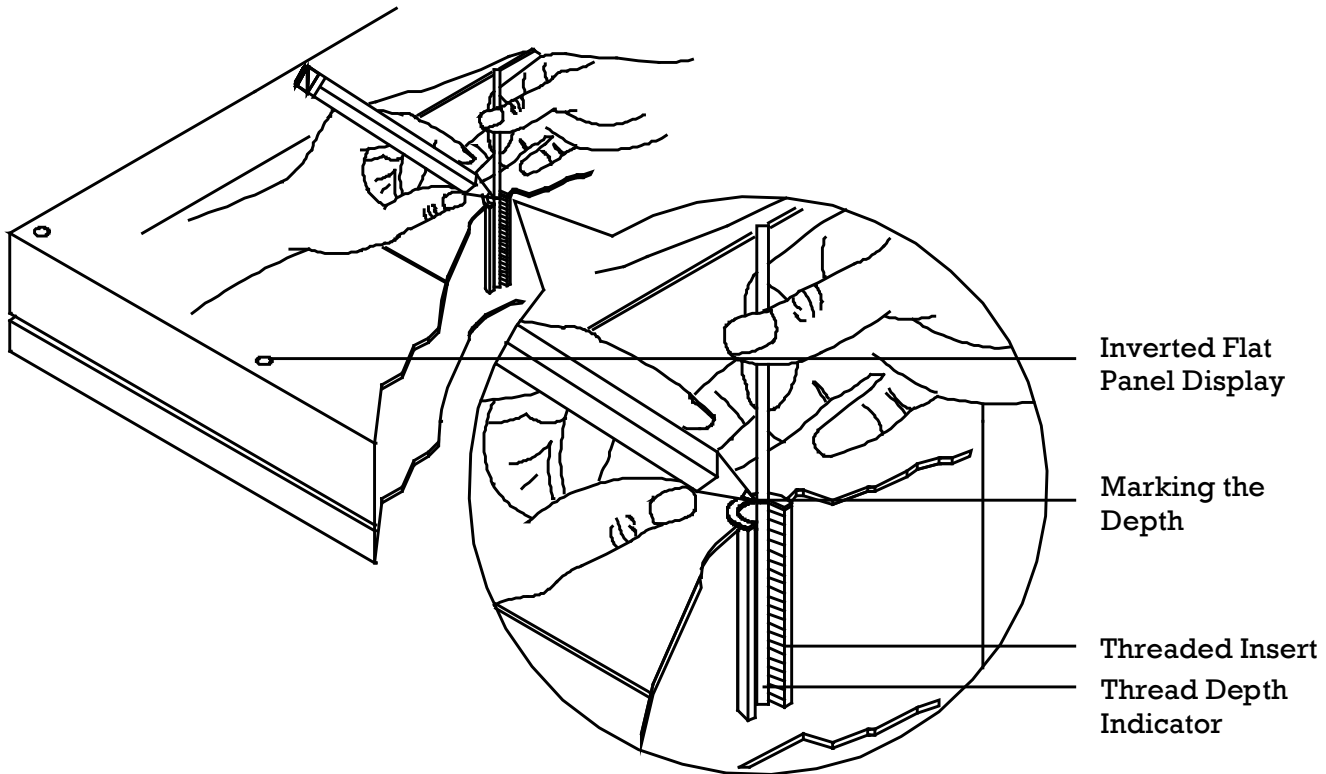


Figure 1

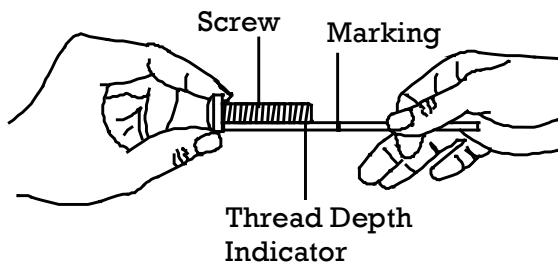


Figure 2

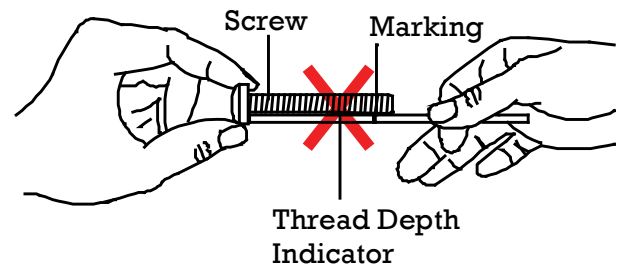


Figure 3

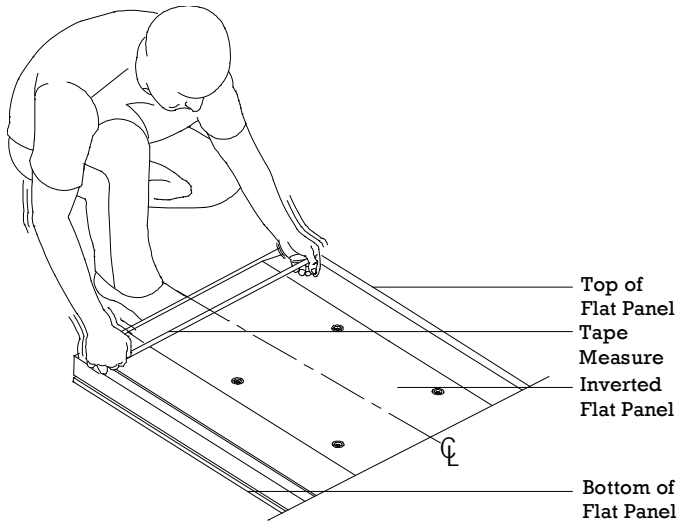
Mounting Bracket Installation



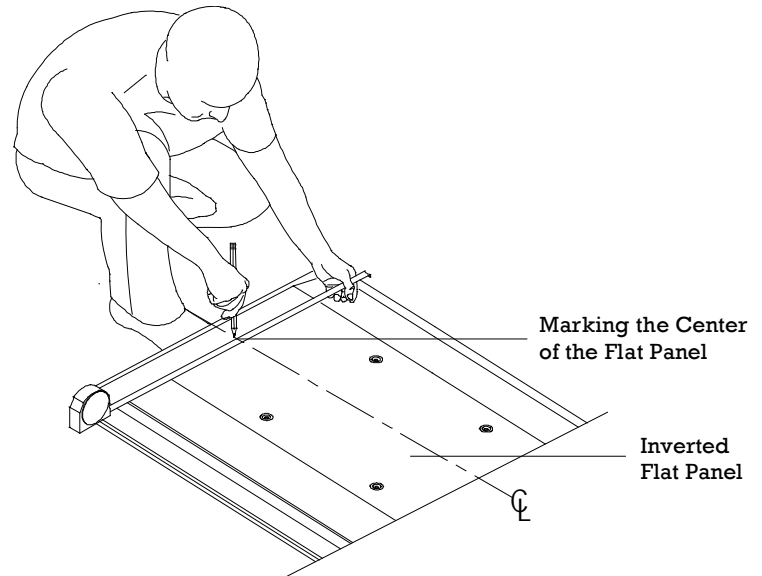
Proper installation procedure by qualified personnel as outlined in the installation instructions must be adhered to. Failure to do so could result in serious personal injury and possible damage to the flat panel.



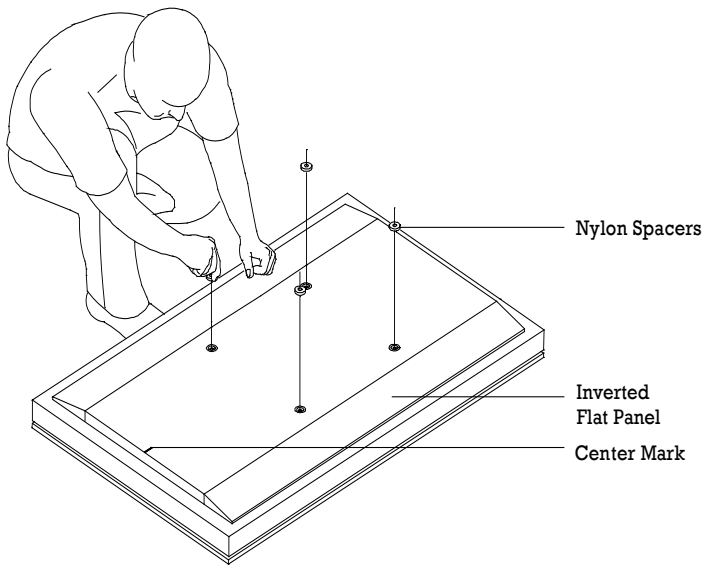
Invert the flat panel place it on a soft, flat surface to prevent damage to the flat panel. Use a blanket, foam, etc. Failure to do so will result in damaging the flat panel. Do not lay the flat panel on the floor without any protection to the glass. The flat panel is heavy and fragile. At least (2) qualified personnel are strongly recommended for installation of this product. Failure to do so could result in serious injury and possible damage to the flat panel.



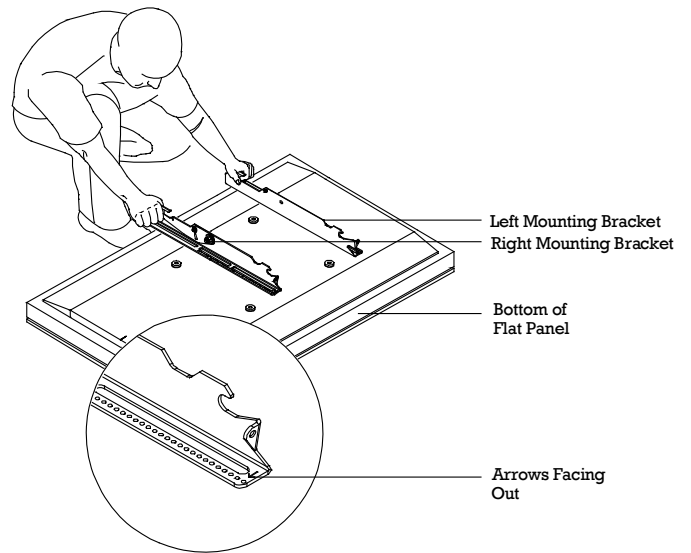
Step 1. Once the flat panel is inverted, use a measuring tape to find the center of your flat panel measuring from outside to outside of the chassis.



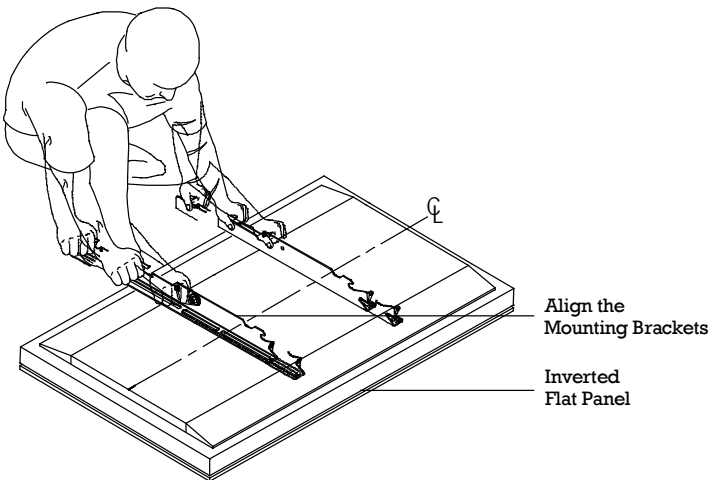
Step 2. Using a pencil lightly mark the center of your flat panel.



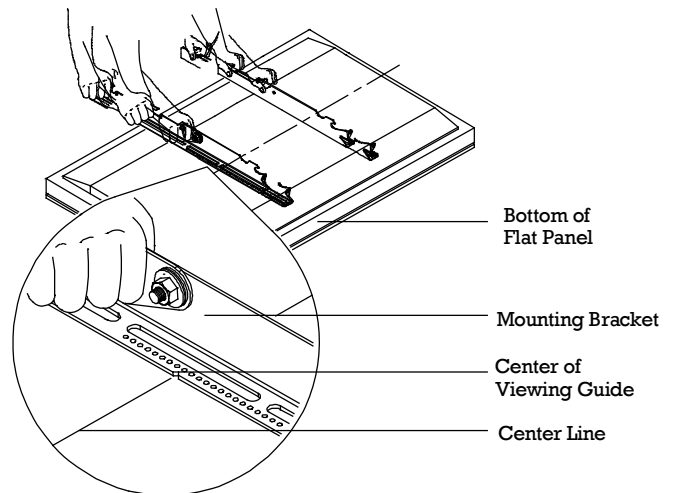
Step 3. Install the nylon spacers (if needed) to the mounting points on the flat panel.



Step 4. Lay the left and right mounting brackets (stamped arrows facing out) over the mounting points (and spacers).

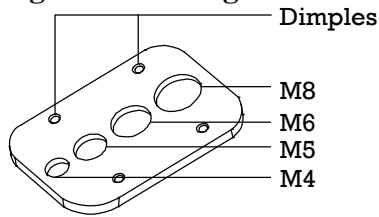


Step 5. Match the center of viewing guide with the centerline you marked in Step 1.



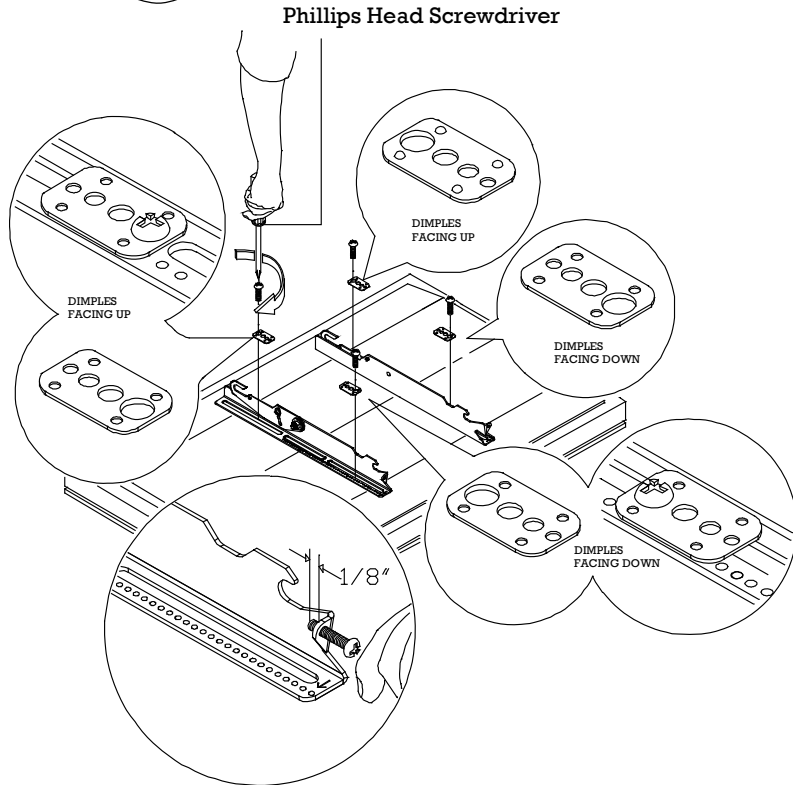
Step 6. The mounting brackets are designed with a center of viewing guide on the outside edges of the mounting brackets.

Securing the Mounting Brackets



The Griplate™ have M4, M5 M6 and M8 hole patterns to fit the hardware that your flat panel requires.

EXAMPLE: If your plasma uses M8 x 20 Phillip screws, use the M8 mounting points.



Note

The upper Griplate™ must be mounted with the dimples facing up. The lower Griplate™ must be mounted with the flat side facing up.



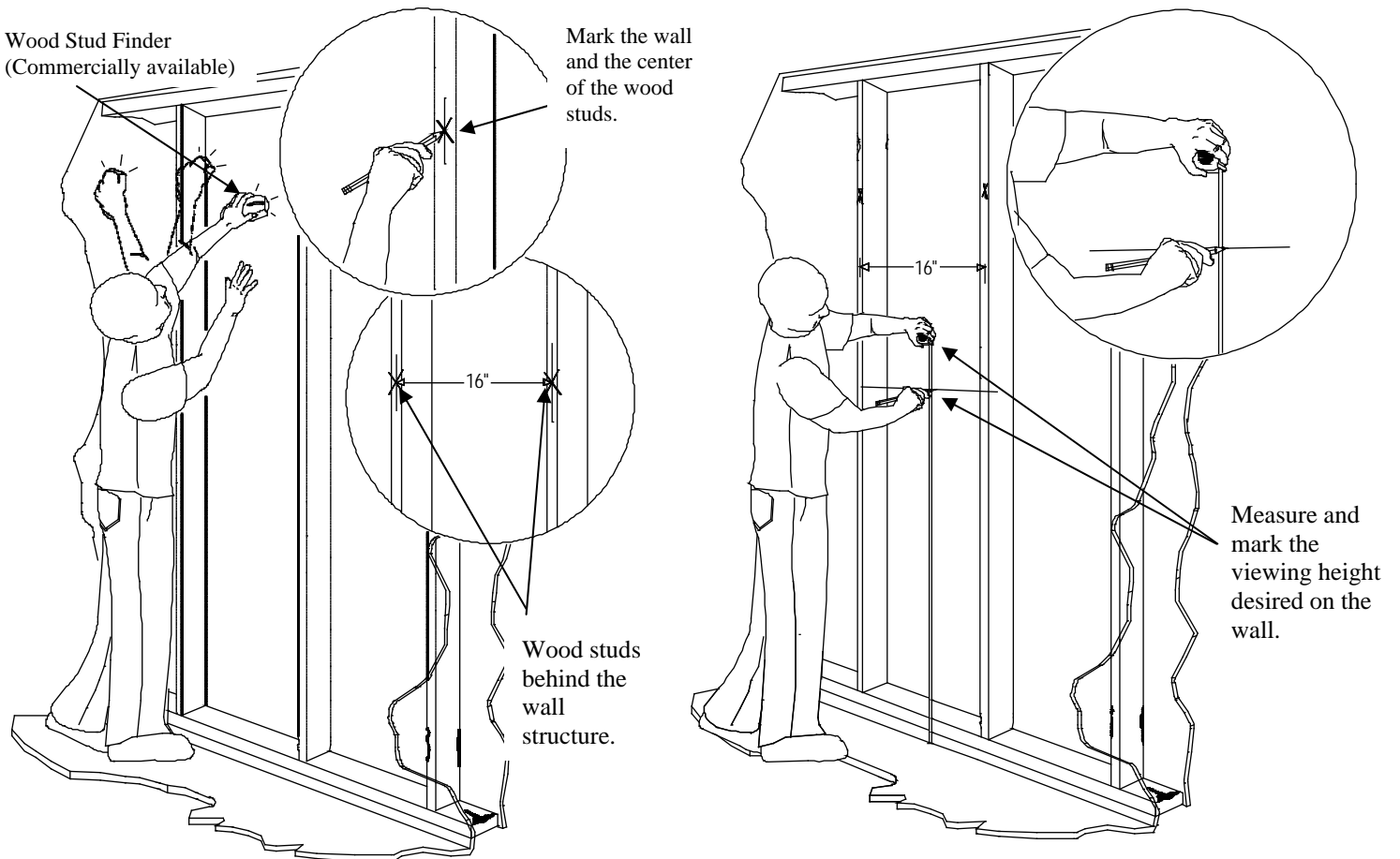
Caution

Do not over tighten the mounting hardware.

Step 1. Pre-install two (2) M6 x 30 (mm) Phillip pan screws to the bottom of the left and right hand side mounting brackets.

Step 2. Once the mounting brackets are aligned secure the Griplate™ to the flat panel.

CTM-MS1 Installation

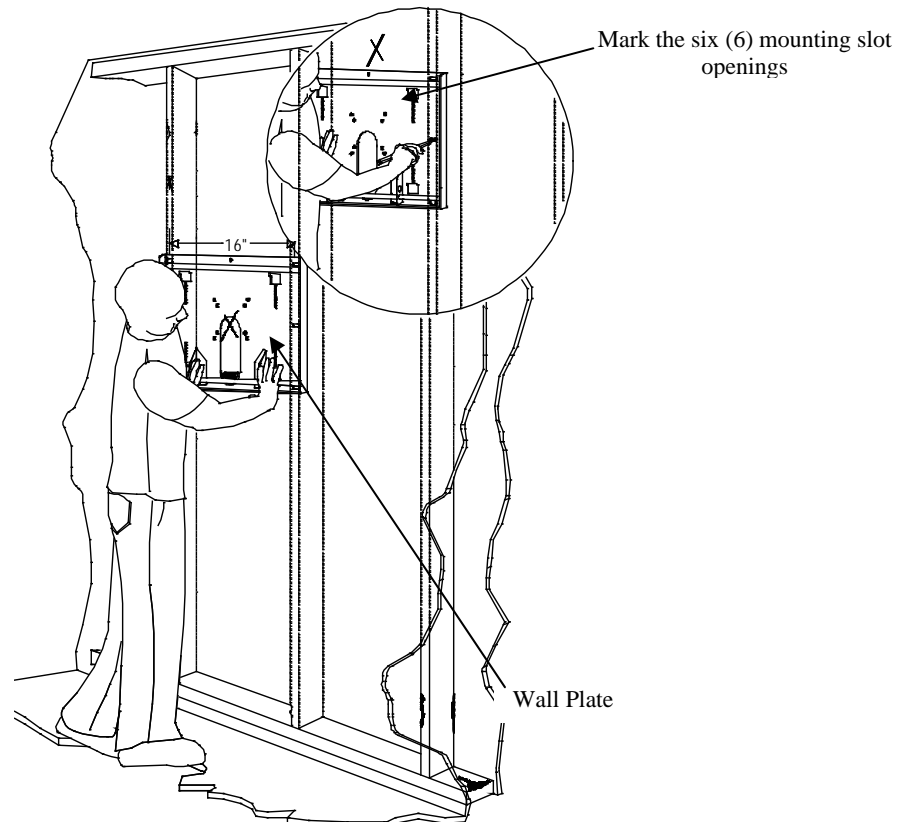


Step 1. Using a (commercially available) wood stud finder, locate the 16" or 24" stud centers behind the wall.

Step 2. Once found, make a pencil marking on the center of the wood studs.

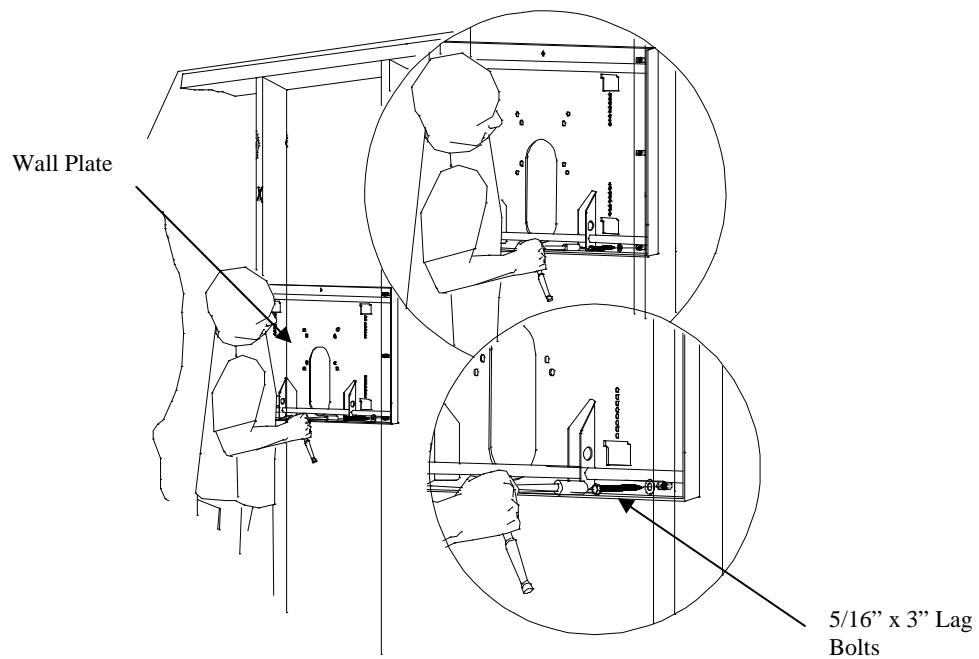
Step 3. Place the wall plate to the reference line and mark the nine (9) lag bolt mounting points through the wall plate slots on the wall.

NOTE The wall plates have 16" and 24" mounting slot positions.



Step 4. Level the wall plate with the reference arrow pointing up to the ceiling.

Step 5. Drill six (6) $\frac{1}{4}$ " pilot holes to the marked wall.



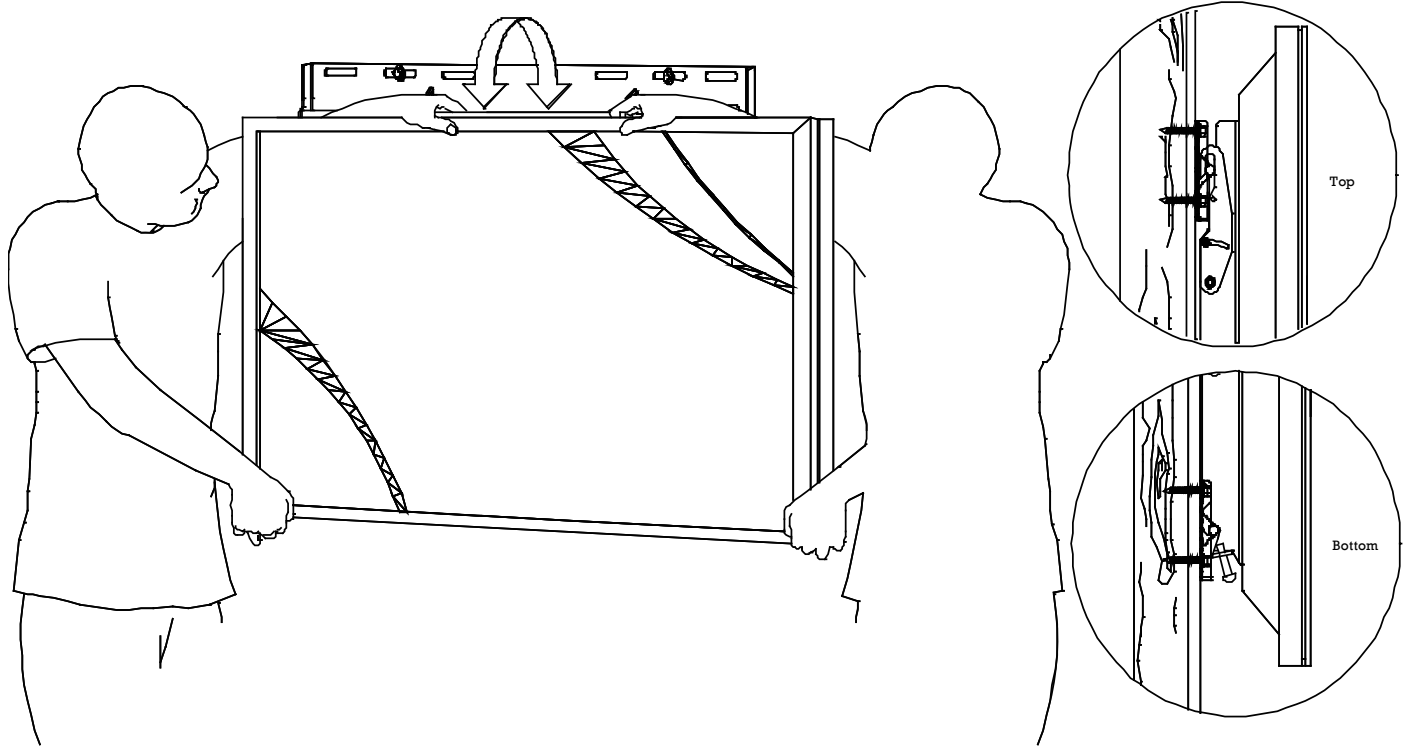
Step 6. Secure the plate using the six (6) $\frac{5}{16}$ " lag bolts and flat washers.

Installing the Flat Panel Display

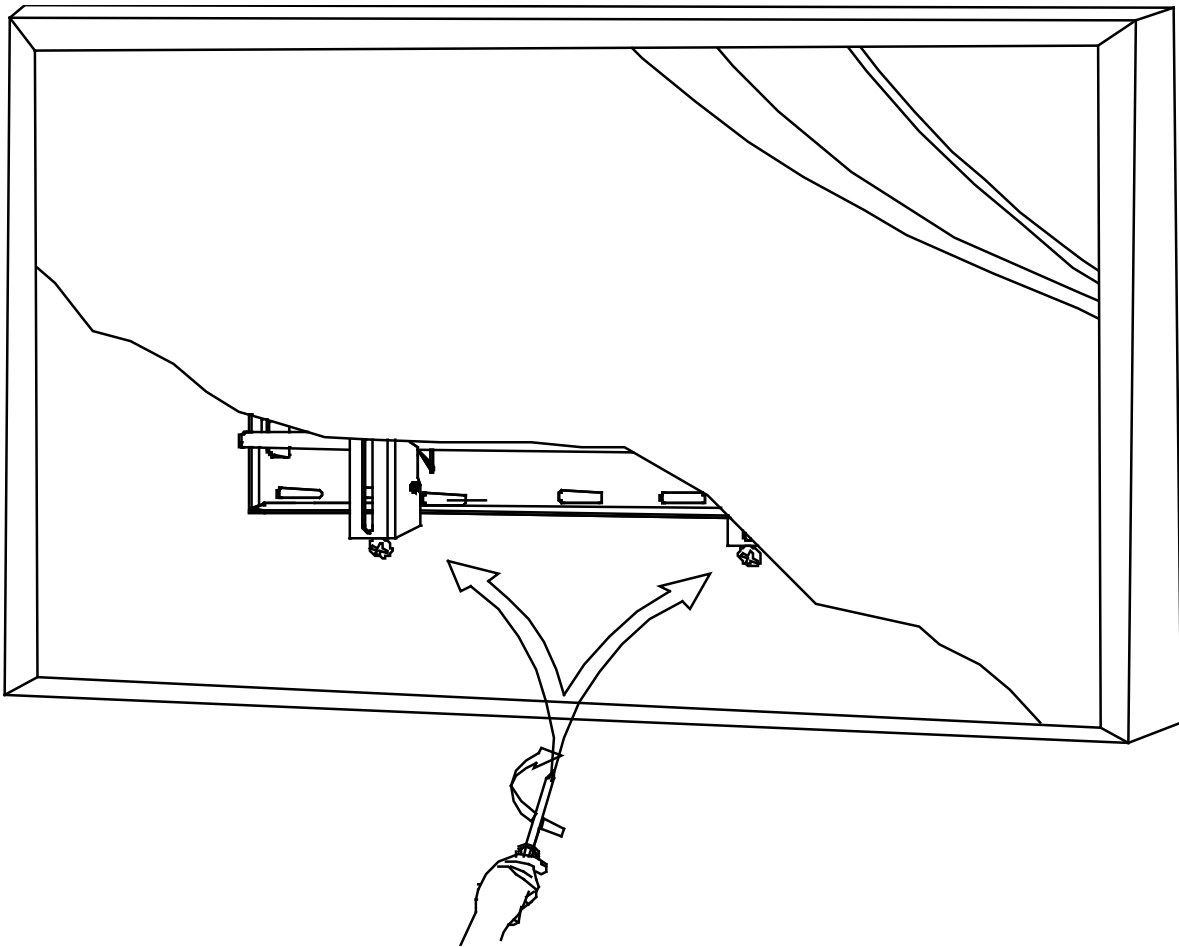


WARNING

AT LEAST (2) QUALIFIED PERSONNEL ARE STRONGLY RECOMMENDED FOR INSTALLATION OF THIS PRODUCT. FAILURE TO DO SO COULD RESULT IN SERIOUS INJURY AND POSSIBLE DAMAGE TO THE FLAT PANEL.



Step 1. Raise the flat panel with the LEFT and RIGHT mounting brackets secured to the flat panel and insert the top hooks over the upper rod. The lower hooks should rest on the lower rod.



Step 2. Make any lateral shift adjustment and lock it by tightening the two (2) M6 x 30mm Phillips screws found on the bottom of the mounting brackets. Use the foot leveler to adjust your plasma.



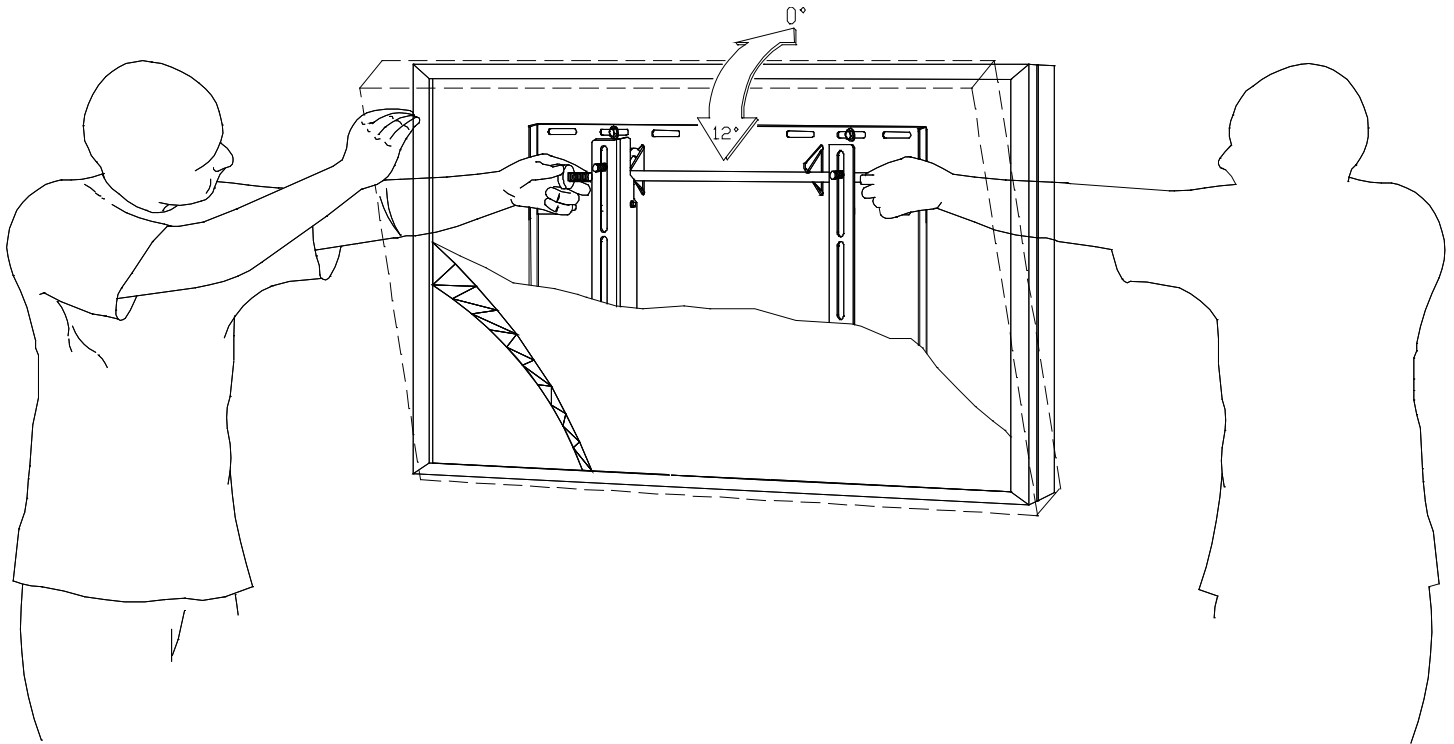
CAUTION

Do not over tighten the M6 x 30mm screws to the rods.



NOTE

To remove the display from the wall simply back off the M6 x 30mm screws using a Phillips screwdriver and lift the unit of the wall carefully.



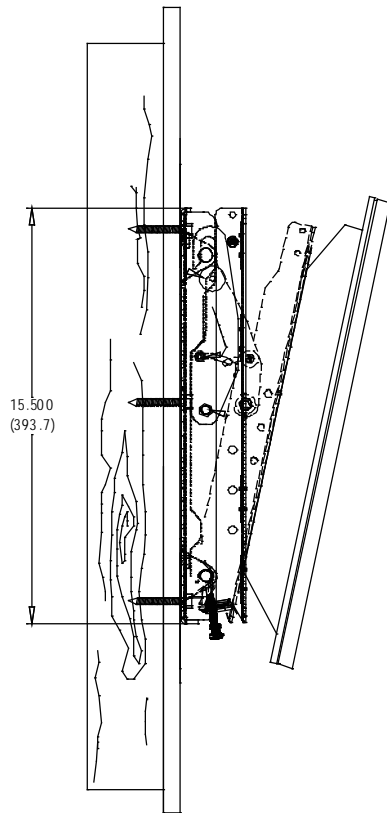
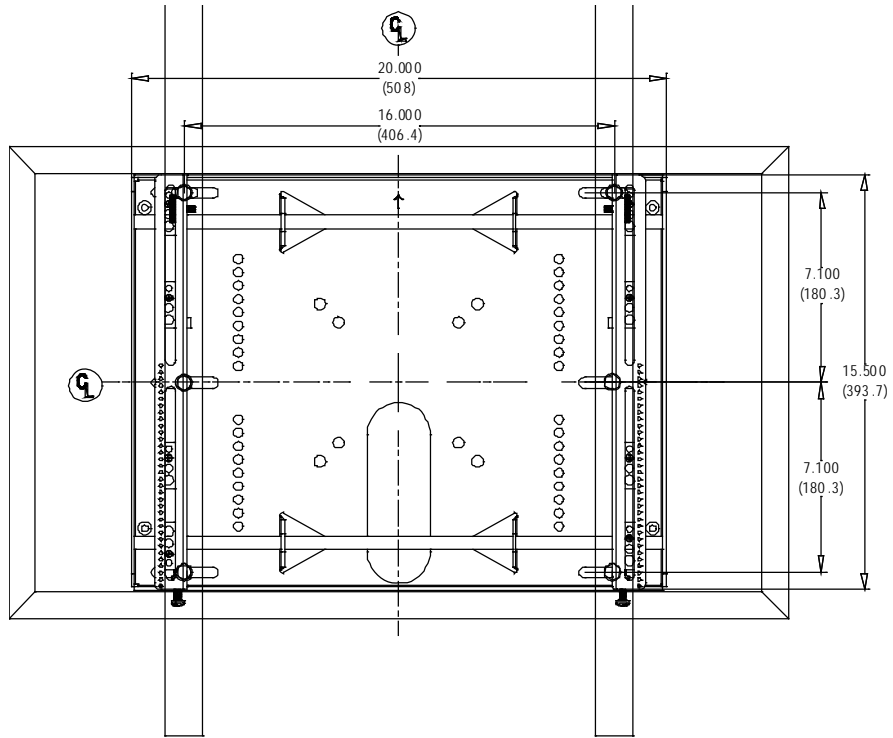
Step 3. Tilt the flat panel and secure the two (2) M6 x 12mm safety knobs to each of the mounting brackets.



NOTE

To remove the display from the wall simply extend the display to its maximum tilt range, remove the two 6 (mm) safety knurl knobs push the flat panel back to it's flat position, loosen or remove the two (2) M6 x 30 lateral shift screws and lift the unit of the wall.

Technical Specifications



Warranty

PREMIER MOUNTS LIMITED LIFETIME WARRANTY

What and Who is Covered by this Limited Warranty and for How Long

Premier Mounts warrants this product to be free from defects in material and workmanship for the lifetime of the original owner of this product. The limited warranty is valid only for the original purchaser of the product.

What Premier Mounts Will Do

At the sole option of Premier Mounts, Premier Mounts will repair or replace any product or product part that is defective. If Premier Mounts chooses to replace a defective product or part, a replacement product or part will be shipped to you at no charge, but you must pay any labor costs.

What is Not Covered; Limitations

PREMIER MOUNTS DISCLAIMS ANY LIABILITY FOR DAMAGE TO MOUNTS, ADAPTERS, DISPLAYS, PROJECTORS, OTHER PROPERTY, OR PERSONAL INJURY RESULTING, IN WHOLE OR IN PART, FROM IMPROPER INSTALLATION, MODIFICATION, USE OR MISUSE OF ITS PRODUCTS.

PREMIER MOUNTS DISCLAIMS ALL OTHER WARRANTIES, EXPRESS OR IMPLIED, INCLUDING WARRANTIES OF MERCHANTABILITY AND FITNESS FOR A PARTICULAR PURPOSE. PREMIER MOUNTS IS NOT RESPONSIBLE FOR INCIDENTAL OR CONSEQUENTIAL DAMAGES, INCLUDING BUT NOT LIMITED TO, INABILITY TO USE ITS PRODUCTS OR LABOR COSTS FOR REMOVING AND REPLACING DEFECTIVE PRODUCTS OR PARTS. SOME STATES DO NOT ALLOW THE EXCLUSION OR LIMITATION OF INCIDENTAL OR CONSEQUENTIAL DAMAGES, SO THE ABOVE LIMITATION OR EXCLUSION MAY NOT APPLY TO YOU.

What Customers Must Do for Limited Warranty Service

If you discover a problem that you think may be covered by the warranty you **MUST REPORT** it in writing to the address below within thirty (30) days. Proof of purchase (an original sales receipt) from the original consumer purchaser must accompany all warranty claims. Warranty claims must also include a description of the problem, the purchaser's name, address, and telephone number. General inquiries can be addressed to Premier Mounts Customer Service at 1-800-368-9700. Warranty claims will not be accepted over the phone or by fax.

Premier Mounts
Attn: Warranty Claim
3130 E. Miraloma Avenue
Anaheim, CA 92806

How State Law Applies

THIS WARRANTY GIVES YOU SPECIFIC LEGAL RIGHTS, AND YOU MAY ALSO HAVE OTHER RIGHTS WHICH VARY FROM STATE TO STATE.