

Assembly Instructions

Models MRCS2



Customer Service Dept

2245 Delany Rd

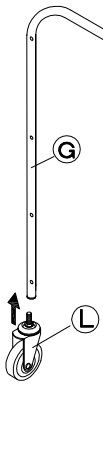
Waukegan, IL 60087

Ph: 847/244-1800 • 800/323- 4656

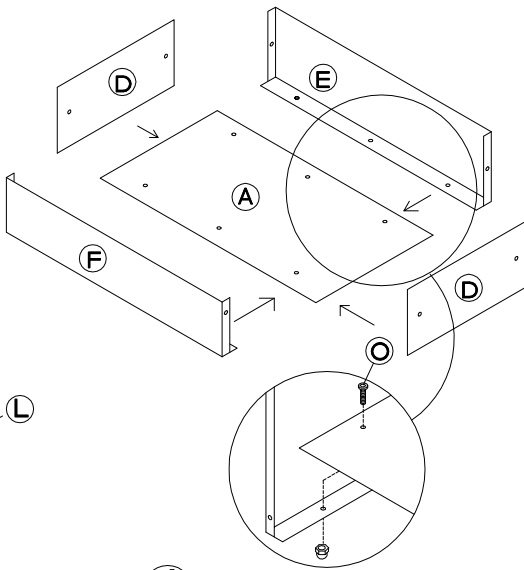
Fax:847/244-1818 • 800/327-1698

| | | | | | |
|-----|--|---|-----|--|----|
| (A) | | 2 | (I) | | 1 |
| (B) | | 2 | (J) | | 2 |
| (C) | | 2 | (K) | | 2 |
| (D) | | 2 | (L) | | 2 |
| (E) | | 1 | (M) | | 24 |
| (F) | | 1 | (N) | | 12 |
| (G) | | 1 | (O) | | 12 |
| (H) | | 1 | (P) | | 1 |
| | | | (Q) | | 2 |

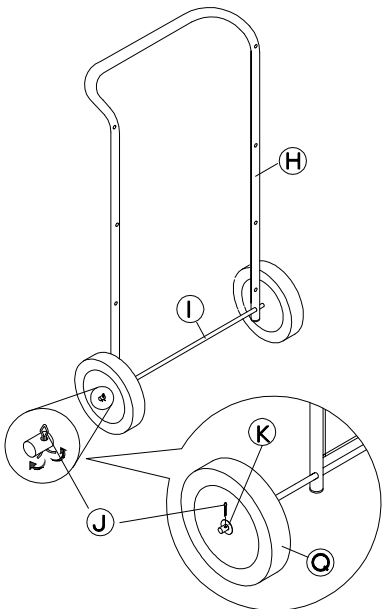
1



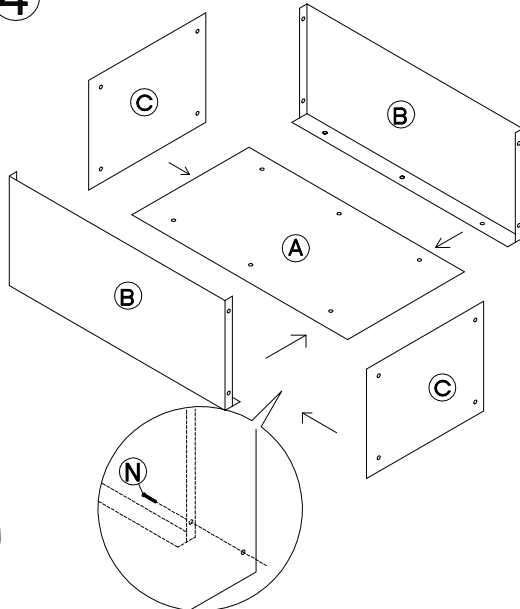
3



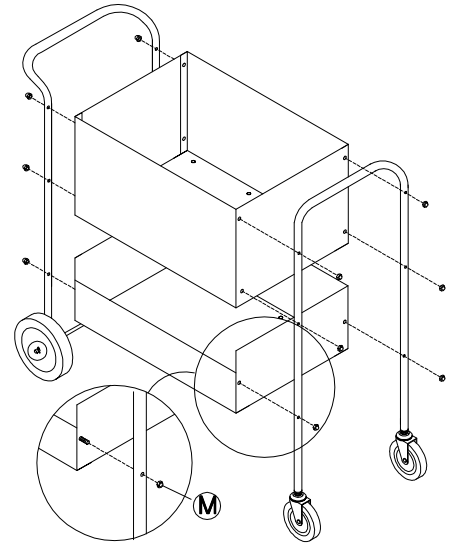
2



4



5



6

