

Instruction Sheet
Model MSC37



Customer Service Dept.
2245 Delany Rd.
Waukegan, IL 60087

Ph: 847/244-1800 • 800/323-4656
Fax: 847/244-1818 • 800/327-1698

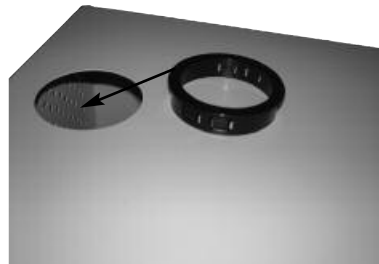


Parts List

- | | |
|--|--|
| 4 Casters | MSC37/N - Does not include electric assembly |
| 1 electric assembly | |
| 1 cord wrap bracket | |
| 1 U bracket | |
| 2 stove bolts | |
| 2 kee nuts | |
| 3 grommet rings | |
| 1 LSK security cable kit | |
| 1 security cable with 2 keys and padlock | |

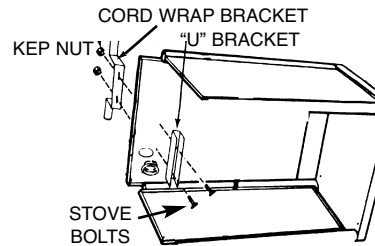
1 Turn unit upside down and insert casters. Turn unit back over when finished.

2

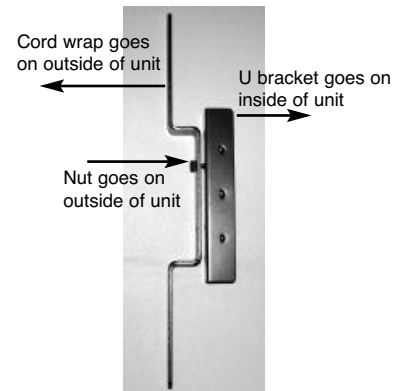


Insert grommet rings in holes: 2 on top of unit 1 on side of unit.

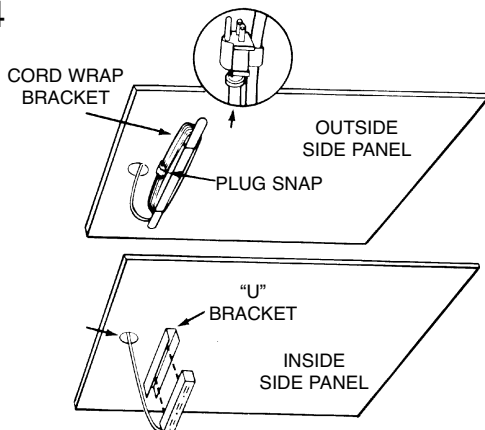
3



Insert two stove bolts as illustrated through "U" bracket into side panel and through slots in cord wrap bracket. Align the cord wrap bracket onto machine screws from the outside of back shelf and secure with two kee nuts.



4



Press 3-outlet power cord into "U" bracket and feed remaining cord through grommet hole and wrap remaining cord around cord wrap bracket. For safety and neat appearance, secure cord plug to cord with plug snap.

5

Install LSK security cable. Refer to instructions included in LSK package.