

Instruction Sheet
Models MTC-20/N, MTC-30/N, MTC-20D/N,
MTC-25D/N and MTC-30D/N



Customer Service Dept
 2245 Delany Rd
 Waukegan, IL 60087
 Ph: 847/244-1800 • 800/323-4656
 Fax: 847/244-1818 • 800/327-1698

PARTS LIST

Model MTC20/N
 1 - Top shelf w/handle & tray
 1 - Set of 25" legs
 1 - Bottom shelf w/caster sockets
 1 - Set of 4" casters (2 w/brake)

1 - Top shelf w/handle & tray
 2 - Sets of 11" legs
 1 - Middle shelf w/tray
 1 - Bottom shelf w/caster sockets
 1 - Set of 4" casters (2 w/brake)

1 - Rubber mallet
 1 - Slotted screwdriver

Note: Models MTC34F/N and MTC25/N follow general instructions as MTC30/N.

Model MTC20D/N
 1 - Top shelf w/handle & notched tray
 1 - Set of 25" legs
 1 - Bottom shelf w/caster sockets
 1 - Set of 4" casters (2 w/brake)
 6 - Sliding dividers

Models MTC-25D/N & MTC30D/N
 1 - Top shelf w/handle & notched tray
 2 - Sets of 11" legs
 1 - Middle shelf w/tray
 1 - Bottom shelf w/caster sockets
 1 - Set of 4" casters (2 w/brake)
 6 - Sliding dividers

Tools Required



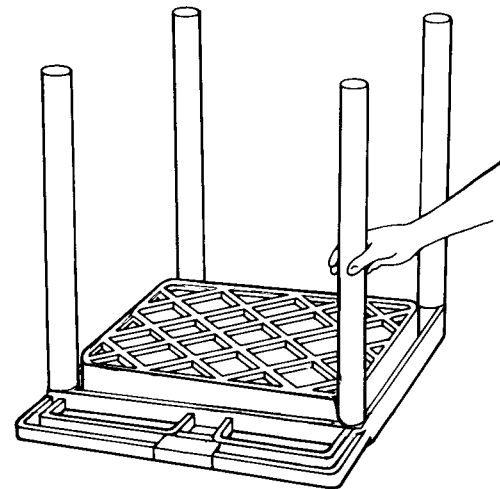
MTC-20/N



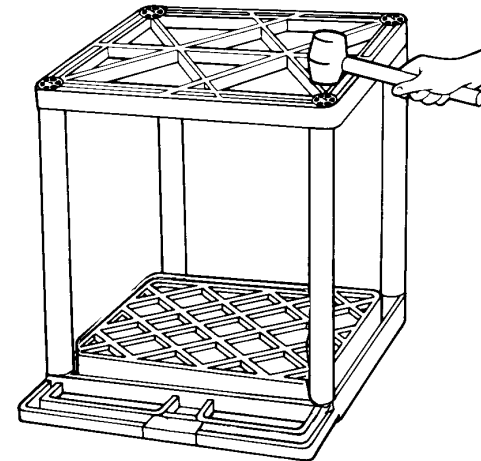
MTC-30/N

Model MTC30/N

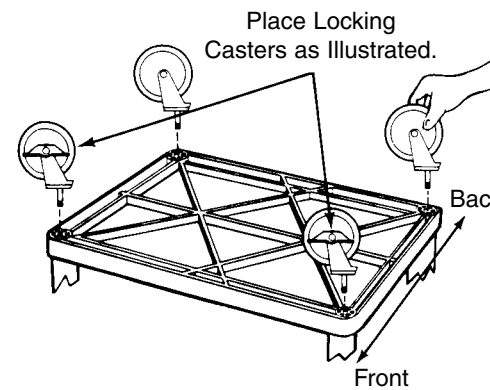
Models MTC-20/N & MTC-20D/N



1 Lay top shelf (with handle and tray), ribbed side up on a smooth surface. Push all 4 legs onto leg posts.



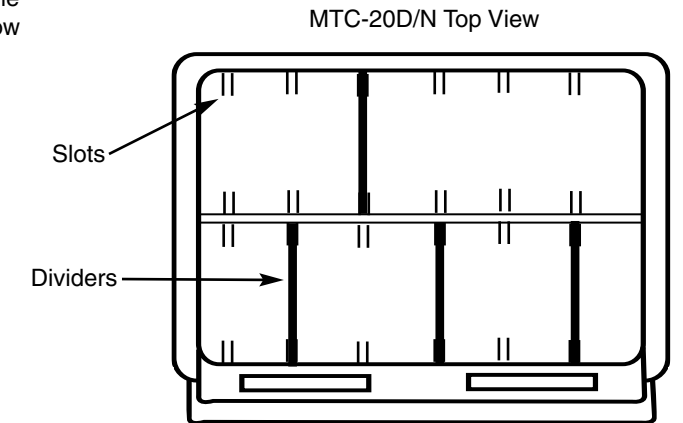
2 Position bottom shelf, ribbed side up, over the 4 legs and insert leg posts into legs. Using a rubber mallet, firmly hammer bottom shelf into legs until all four legs are seated (flush) against the surfaces of both shelves.



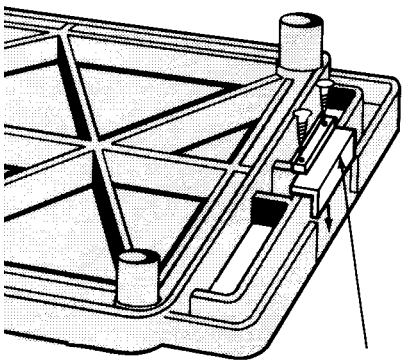
3 Push the four casters firmly into the holes in each corner of the bottom shelf. **Important:** casters must be fully seated. Tap firmly with rubber mallet to properly seat casters. Turn your Endura Table right side up.

NOTE: For Models MTC-20D/N, MTC25D/N and MTC-30D/N

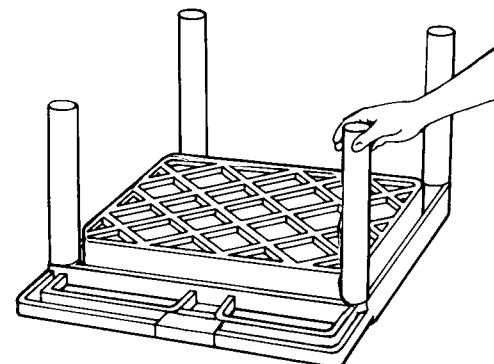
Slide 6 dividers into any of the twelve slots provided. It is now ready for use.



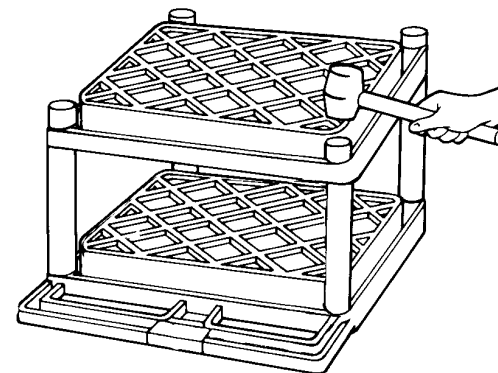
Models MTC-30/N, MTC-30D/N & MTC-25D/N



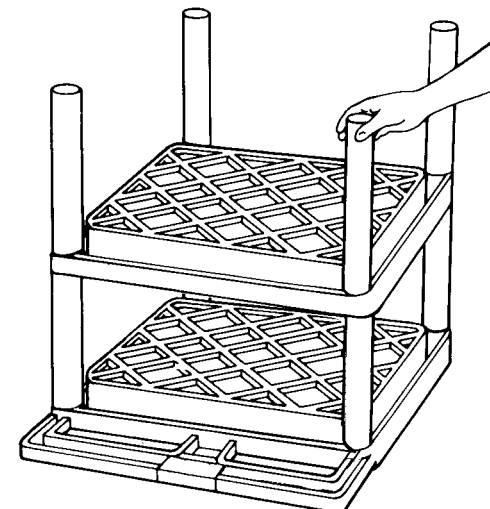
Plug Housing Cover



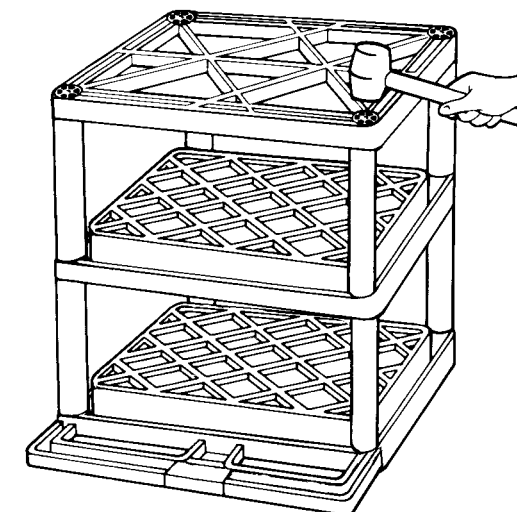
1 Lay top shelf (with handle and tray), ribbed side up on a smooth surface. Push all 4 legs onto leg posts.



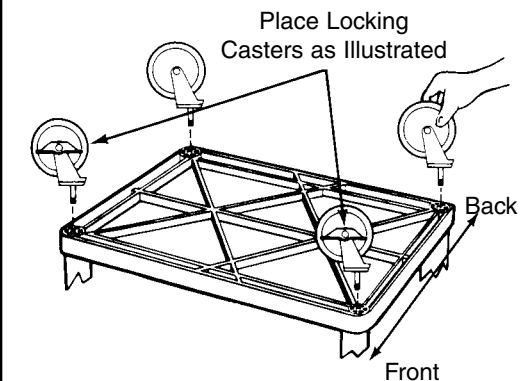
2 Position center shelf (with 8 leg posts), ribbed side up, over the 4 legs and insert leg posts into legs. Using a rubber mallet, firmly hammer center shelf into legs until all four legs are seated (flush) against the surfaces of both shelves.



3 Push other set of 4 legs into leg posts of second shelf and firmly hammer until properly seated.



4 Position bottom shelf, ribbed side up, over the 4 legs and insert leg posts into legs. Using a rubber mallet, firmly hammer bottom shelf into legs until all four legs are seated (flush) against the surfaces of both shelves.



5 Push the four casters firmly into the holes in each corner of the bottom shelf. **Important:** casters must be fully seated. Tap firmly with rubber mallet to properly seat casters. Turn your Endura Table right side up.

Your Endura Maintenance Cart does not have the Optional Electrical Assembly and Cable-Track™ Cord Management System, start by closing the electric plug housing in the handle of the top shelf as illustrated below.