

Instruction Sheet - Endura Overhead Projector Tables
Endura Model OHT-20 Two Shelf Mobile Table
Endura Model OHT-32 Three Shelf Mobile Table
Endura Model OHS-32 Three Shelf Mobile Table with Utility Tray



Customer Service Dept
 2245 Delany Rd
 Waukegan, IL 60087
 Ph: 847/244-1800 • 800/323-4656
 Fax: 847/244-1818 • 800/327-1698



OHT-20



OHT-32



OHS-32

PARTS LIST

OHT-20

- 1- Top shelf w/handle
- 1- Set legs
- 1- Bottom shelf w/caster sockets
- 1- Grommet pass through
- 1- Set 4" casters (2 w/brake)
- 4- Sure grip pads

OHT-32

- 1- Top shelf w/handle
- 1- Set long legs
- 1- Set short legs
- 1- Middle shelf w/8 leg posts
- 1- Bottom shelf w/casters sockets
- 1- Set 4" casters (2 w/brake)
- 1- Grommet pass through
- 4- Sure grip pads

OHS-32

- 1- Top shelf w/handle
- 1- Set long legs
- 1- Set short legs
- 1- Middle utility shelf w/8 leg posts
- 1- Bottom shelf w/casters sockets
- 1- Set 4" casters (2 w/brake)
- 1- Grommet pass through
- 4- Sure grip pads

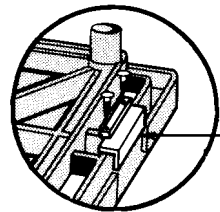
Tools Required: 1- Rubber Mallet

1- Slotted screwdriver

IMPORTANT:
 The electrical unit should be assembled first.

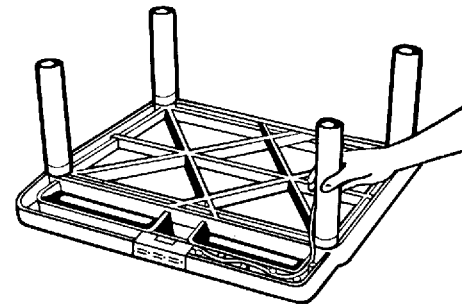
If your Endura Table has the Electrical Assembly and Cable-Track Cord Management System, see reverse side of this sheet for assembly instructions.

If your Endura Table does not have the Electrical Assembly and Cable-Track cord Management System, start by closing the electric plug housing in the handle of the top shelf as illustrated below.

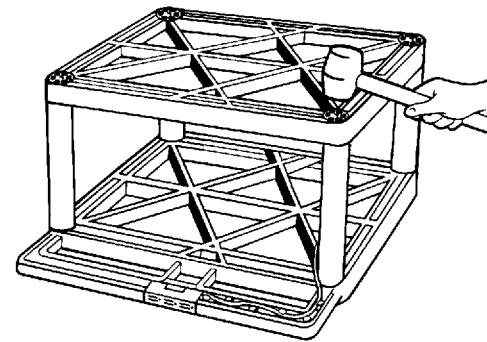


PLUG HOUSING COVER

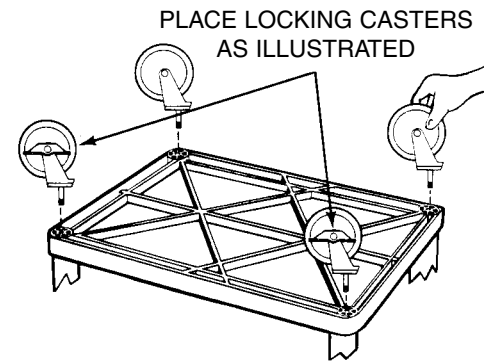
MODEL OHT-20



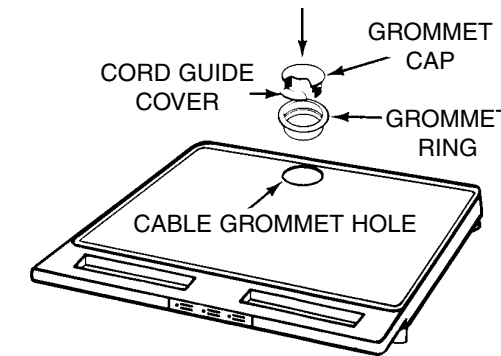
1 Lay top shelf (with handle) ribbed side up on a smooth surface. Push all 4 legs onto leg posts.



2 Position bottom shelf, ribbed side up, over the 4 legs and insert leg posts into legs. Using a rubber mallet, firmly hammer bottom shelf into legs until all four legs are seated (flush) against the surface of both shelves.



3 Push the four casters firmly into the holes in each corner of the bottom shelf. **Important:** casters must be fully seated. Tap firmly with rubber mallet to properly seat casters. Turn your Endura Overhead Projector Table right side up.



4 Install grommet ring by tapping into place with rubber mallet. Insert grommet cap as illustrated. For tables with electric assembly, snap off cord guide cover from grommet cap so equipment plug may run through grommet to plug unit, then insert grommet cap into grommet ring. Your Overhead Projector Table is now ready for use.

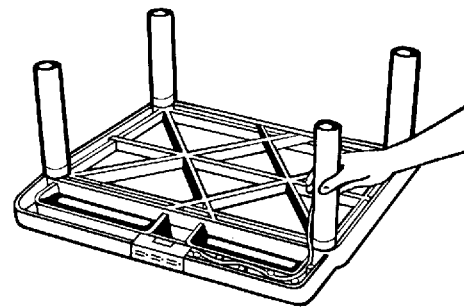
THE ENDURA GUARANTEE
 ENDURA TABLES ARE GUARANTEED UNCONDITIONALLY

Luxor will replace or repair any unit which is found to be damaged in transit or is unsatisfactory in use. **This guarantee is for the life the the product and includes shipping cost should replacement or return be necessary.**

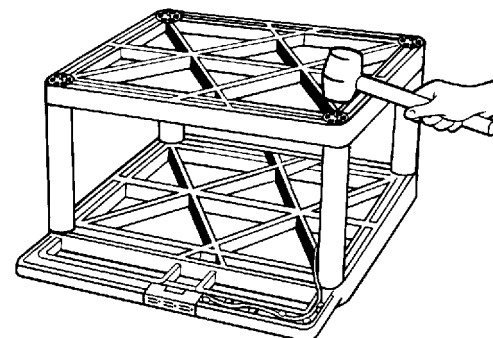
CAUTION

Luxor Overhead Projector Tables are fully guaranteed when used for their intended purpose and when used with weight loads not exceeding those recommended. Exceeding load limits will negate warranty and may create a safety hazard.

MODEL OHT-32

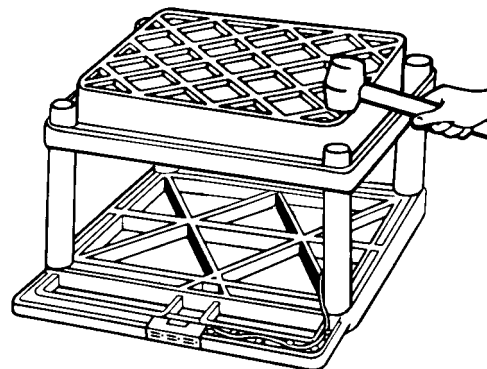


1 Lay top shelf (with handle) ribbed side up on a smooth surface. Push all 4 short legs onto leg posts.

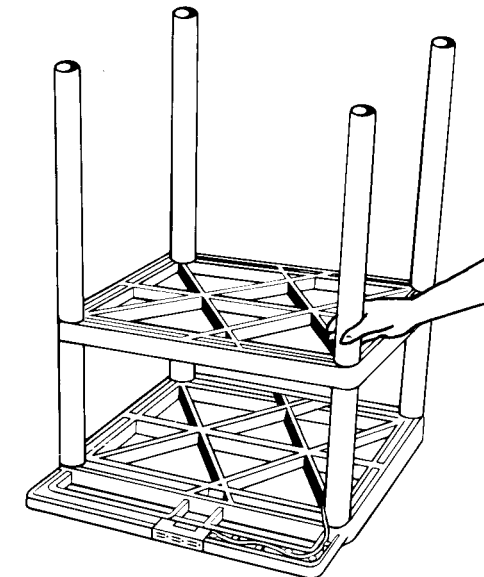


2 Position center shelf (with 8 leg posts), ribbed side up, over the 4 legs and insert leg posts into short legs. Using a rubber mallet, firmly hammer center shelf into legs until all four legs are seated (flush) against the surface of both shelves.

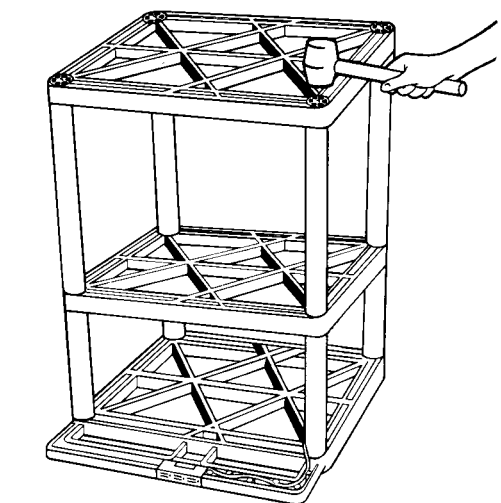
MODEL OHS-32 ONLY



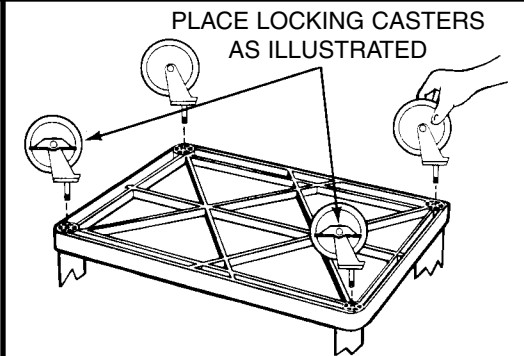
3 Position center utility shelf (with 8 leg posts) ribbed side up over the 4 legs and insert leg posts into short legs. Using a rubber mallet, firmly hammer center shelf into legs until all four legs are seated (flush) against the surfaces of both shelves.



4 Push set of 4 long legs onto leg posts of second shelf and firmly hammer until properly seated.



5 Position bottom shelf, ribbed side up, over the 4 long legs and insert leg posts into legs. Using a rubber mallet, firmly hammer bottom shelf into legs until all four legs are seated (flush) against the surfaces of both shelves.



6 Push the four casters firmly into the holes in each corner of the bottom shelf. **Important:** casters must be fully seated. Tap firmly with rubber mallet to properly seat casters. Turn your Endura Overhead Projector Table right side up.

7 Install grommet ring and grommet cap as illustrated in No. 4 above. Your Overhead Projector Table is now ready for use.

Instructions For - Electrical Assembly Cable-Track™ Management System and Cord Wrap

Your Endura mobile equipment table incorporates the Cable-Track™ cord management system. This exclusive feature manages electrical cords, keeping them safely out of the way. This system includes a 3-outlet, 15 foot surge suppressing electric assembly (U.L. and C.S.A.

listed) which is built into the safety handle. Please review these instructions carefully to maximize the added safety provided by Luxor's Cable-Track™ cord management system.



Parts List

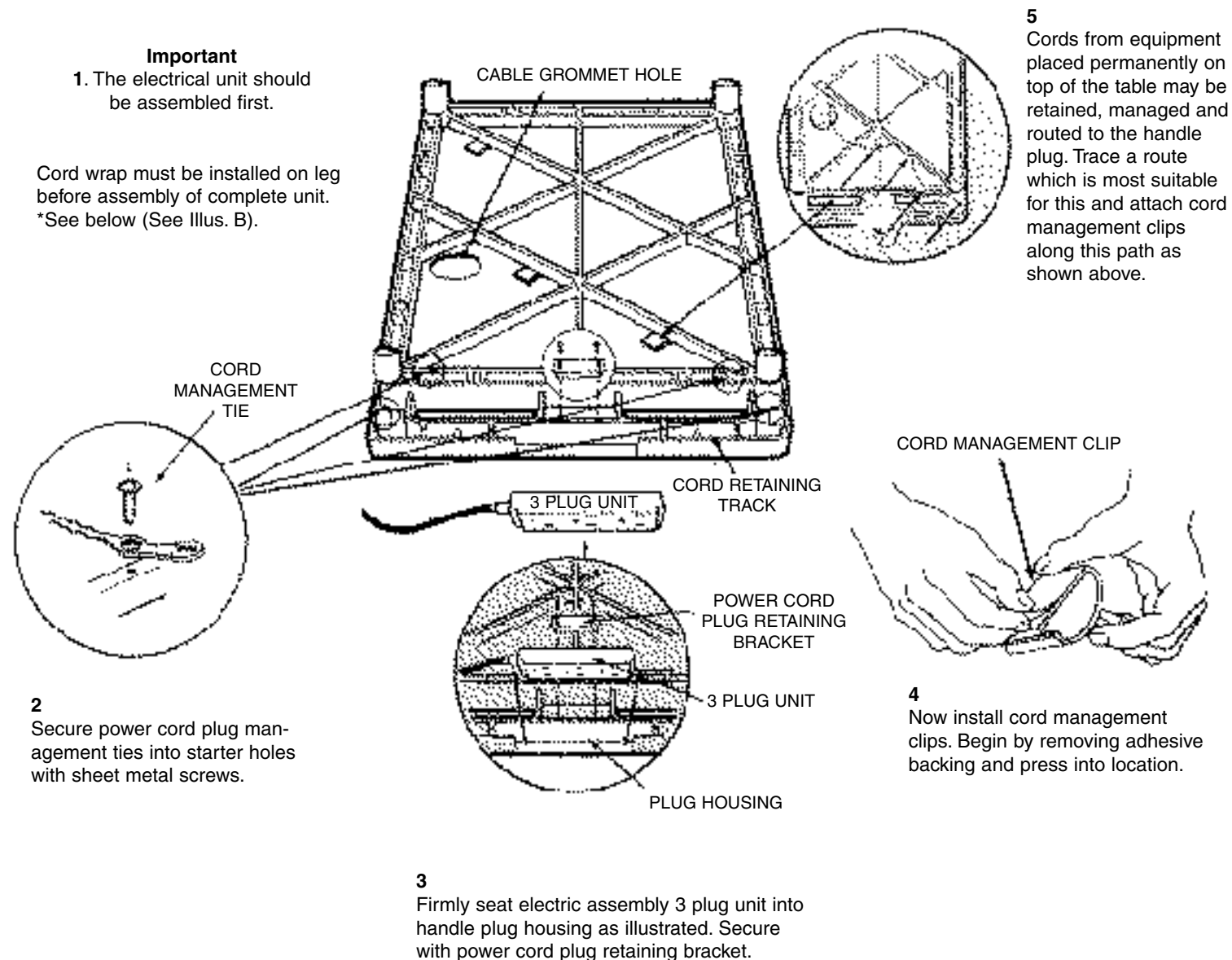
| | |
|--------------------------------|------------------------------|
| 1 - Surge protected power cord | 1 - Power cord retainer clip |
| 1 - Cord wrap | 2 - "E"-clips |
| 4 - Cord management ties | 3 - Cord management clips |
| 4 - Sheet metal screws | |

ILLUSTRATION A

Important

1. The electrical unit should be assembled first.

Cord wrap must be installed on leg before assembly of complete unit.
*See below (See Illus. B).



2. Secure power cord plug management ties into starter holes with sheet metal screws.

3. Firmly seat electric assembly 3 plug unit into handle plug housing as illustrated. Secure with power cord plug retaining bracket.

5. Cords from equipment placed permanently on top of the table may be retained, managed and routed to the handle plug. Trace a route which is most suitable for this and attach cord management clips along this path as shown above.

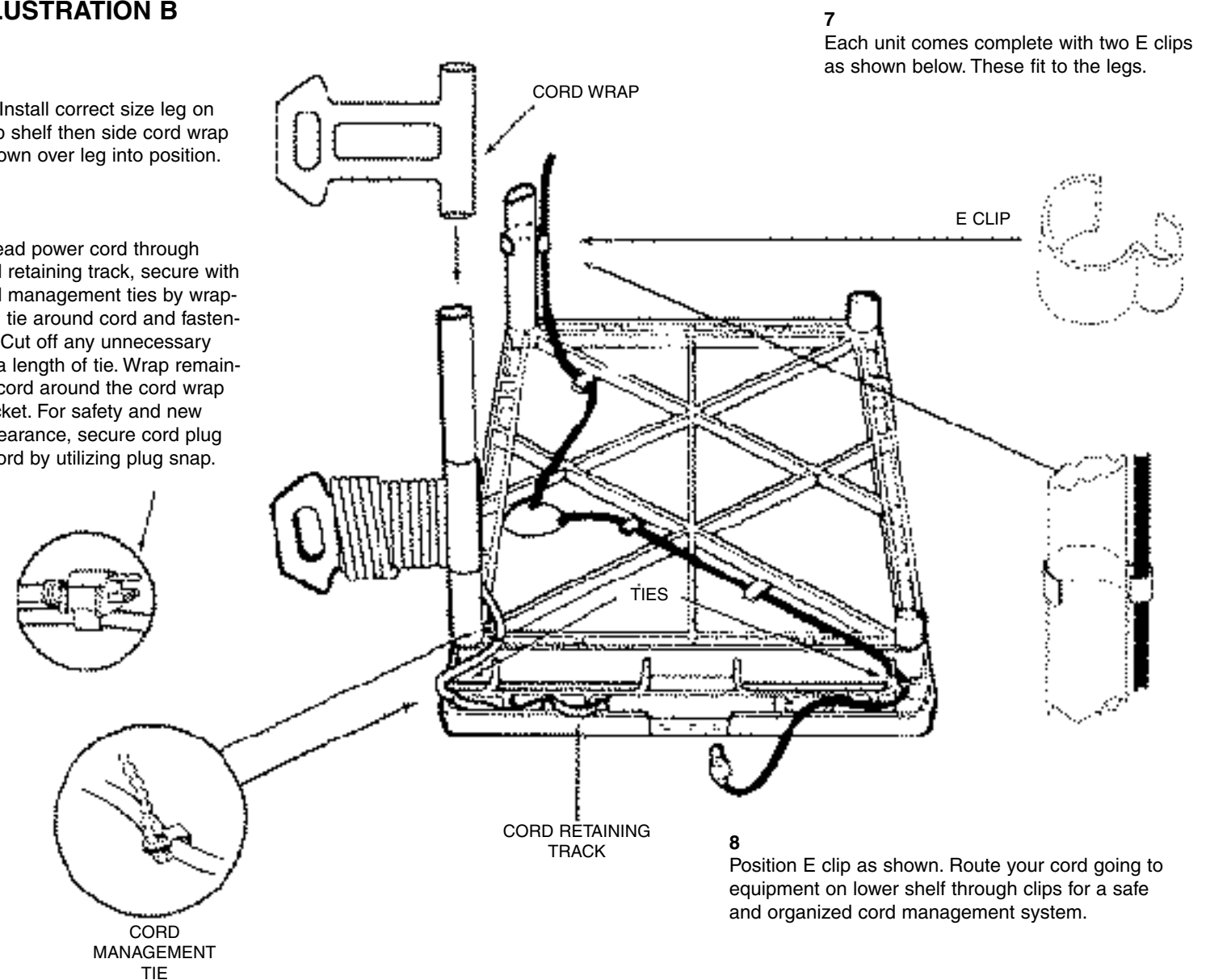
CORD MANAGEMENT CLIP

4. Now install cord management clips. Begin by removing adhesive backing and press into location.

ILLUSTRATION B

Install correct size leg on top shelf then side cord wrap down over leg into position.

6. Thread power cord through cord retaining track, secure with cord management ties by wrapping tie around cord and fastening. Cut off any unnecessary extra length of tie. Wrap remaining cord around the cord wrap bracket. For safety and new appearance, secure cord plug to cord by utilizing plug snap.



7. Each unit comes complete with two E clips as shown below. These fit to the legs.

8. Position E clip as shown. Route your cord going to equipment on lower shelf through clips for a safe and organized cord management system.