

Instruction Sheet

Endura Overhead Projector Tables

Models OHT42PS, and OHT42PSC



Customer Service Dept
 2245 Delany Rd • Waukegan, IL 60087
 Ph: 847/244-1800 • 800/323-4656
 Fax: 847/244-1818 • 800/327-1698



Parts List

- OHT42**
- 1 - Top shelf w/handle
 - 1 - Middle shelf w/8 leg posts
 - 1 - Bottom shelf w/caster sockets
 - 1 - Set short legs
 - 1 - Set long legs
 - 4 - Casters (2 w/brake)
 - 1 - Electric assembly

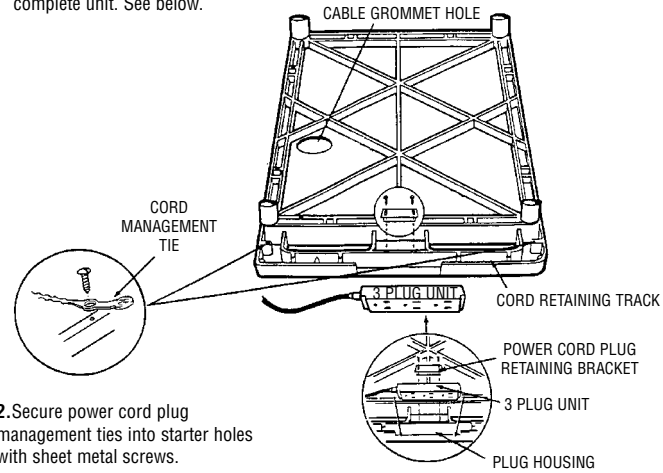
- OHS42**
- 1 - Top shelf w/utility tray
 - 1 - Middle shelf w/8 leg posts
 - 1 - Bottom shelf w/caster sockets
 - 1 - Set short legs
 - 1 - Set long legs
 - 4 - Casters (2 w/brake)
 - 1 - Electric assembly

Tools Required:
 Rubber mallet

Illustration A

OHT42/OHS42 ONLY

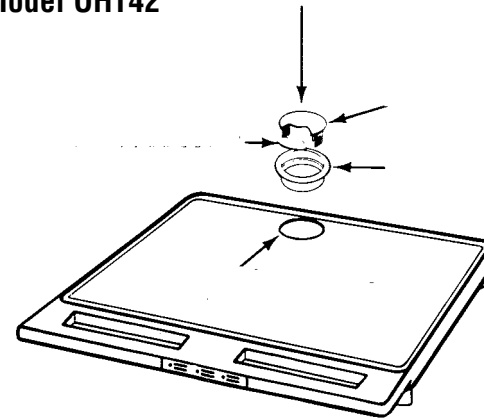
1. The electric unit should be assembled first. Cord wrap must be installed on leg before assembly of complete unit. See below.



2. Secure power cord plug management ties into starter holes with sheet metal screws.

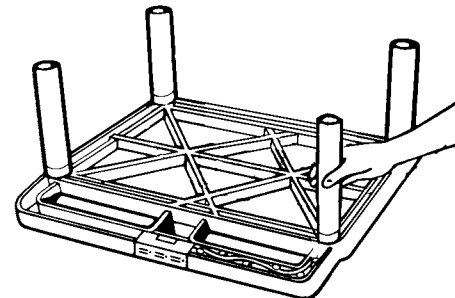
3. Firmly seat electric assembly 3 plug unit into handle plug housing as illustrated. Secure with power cord plug retaining bracket.

Model OHT42



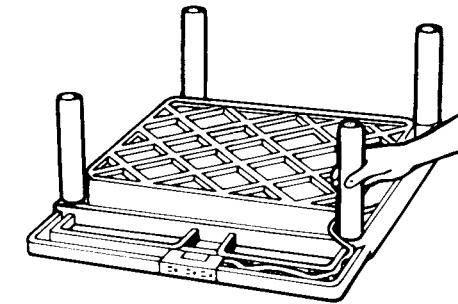
1. Install grommet ring by tapping into place with rubber mallet. Insert grommet cap as illustrated. For tables with electric assembly, snap off cord guide cover from grommet cap so equipment plug may be run through grommet plug unit, then insert grommet cap into grommet ring.

Model OHT42



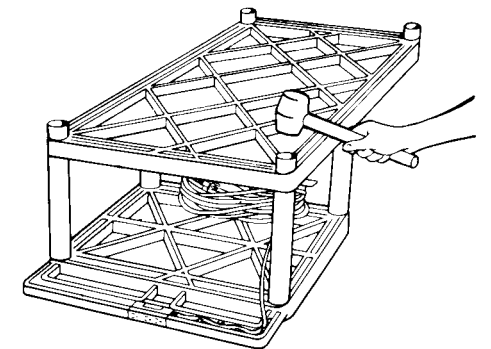
2. Lay top shelf (with handle) ribbed side up on a smooth surface. Push all 4 short legs onto leg posts.

Model OHS42



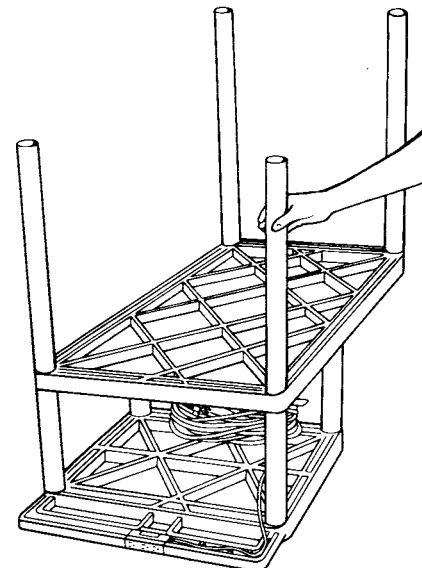
3. Lay top utility shelf (with handle) ribbed side up on a smooth surface. Push all 4 short legs onto leg posts.

Both Models



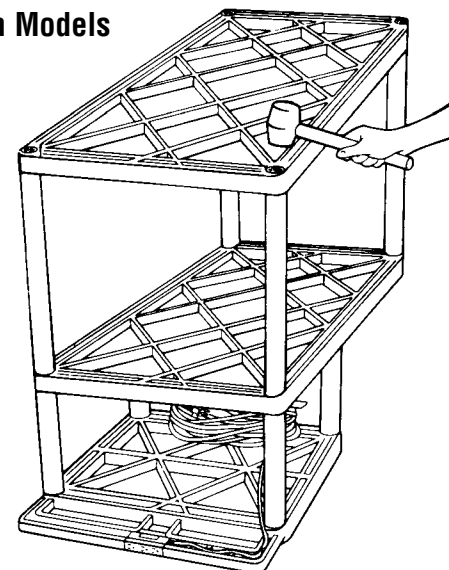
4. Position second shelf (with 8 leg posts) ribbed side up, over the 4 legs and insert leg posts into legs. Using a rubber mallet, firmly hammer bottom shelf into legs until all four legs are seated (flush) against the surfaces of both shelves.

Both Models



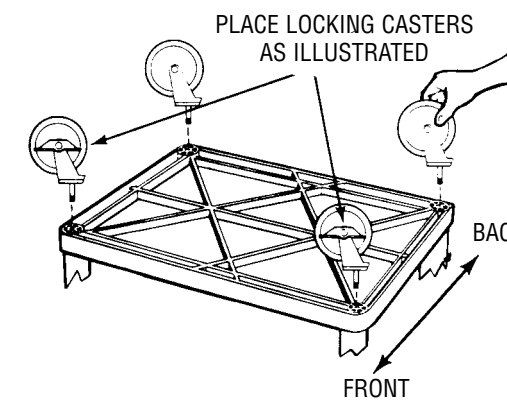
5. Push set of 4 long legs into leg posts of second shelf and firmly hammer until properly seated.

Both Models



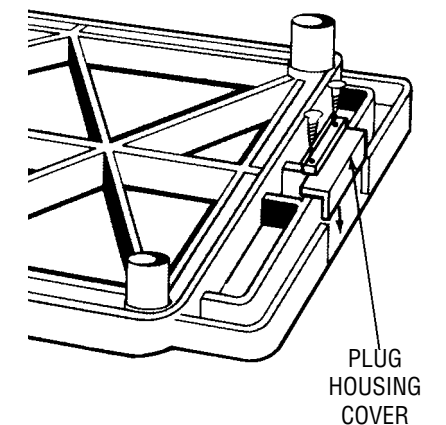
6. Position bottom shelf, ribbed side up, over the 4 long legs and insert leg posts into legs. Using a rubber mallet, firmly hammer bottom shelf into legs until all four legs are seated (flush) against the surfaces of both shelves.

Both Models

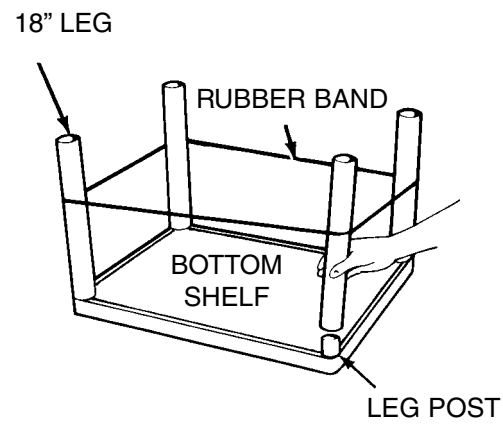


7. Push the four casters firmly into the holes in each corner of the bottom shelf. **Important:** casters must be fully seated. Tap firmly with rubber mallet to properly seat casters. Turn your table right side up. It is now ready for use.

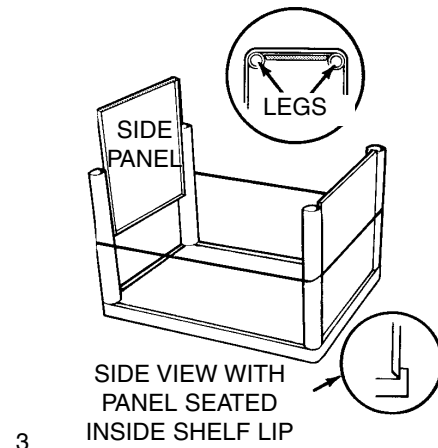
If your Endura Overhead Projector Table does not have the Electrical Assembly and Cable-Track™ Cord Management System, start by closing the electric plug housing in the handle of the top shelf as illustrated.



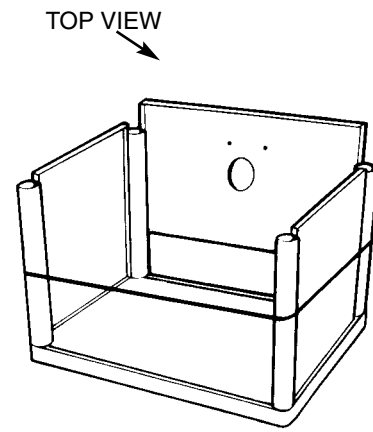
Cabinet pack instructions on back.



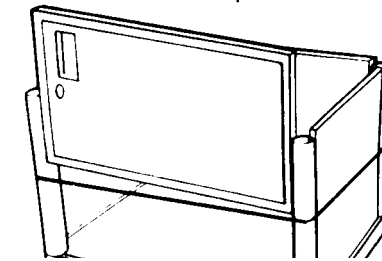
2
With bottom shelf facing up push all four 18" legs onto leg posts. Using rubber mallet hammer legs firmly into position. Legs must be seated (flush) against the shelf surface. Place rubber band around legs to aid in the assembly of cabinet side panels and doors.



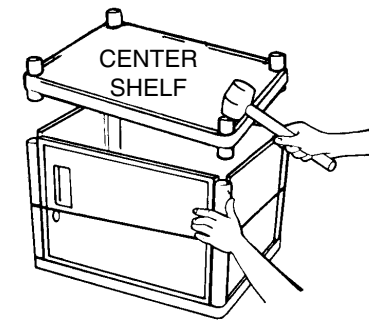
3
Install the side panels first. Slide panels down between legs until they are nested inside the shelf lip and flush against the shelf surface. Rubber band will hold legs and side panels in place while installing back panel and front door.



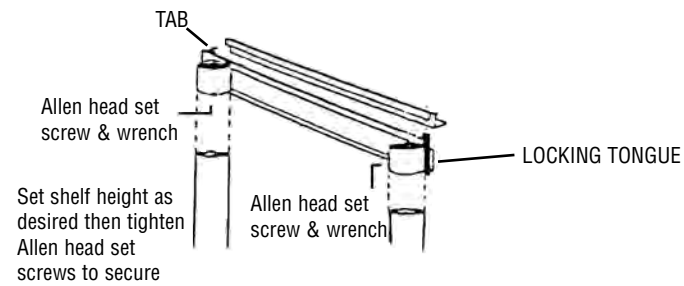
4
Install the back panel in the same manner as shown in Step #3. NOTE: Cabling hole in back panel should be toward the top.



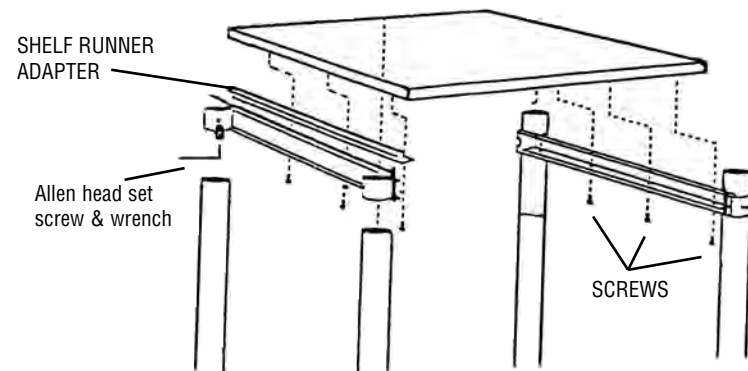
5
Install door panel same as back panel, with door handle at top.



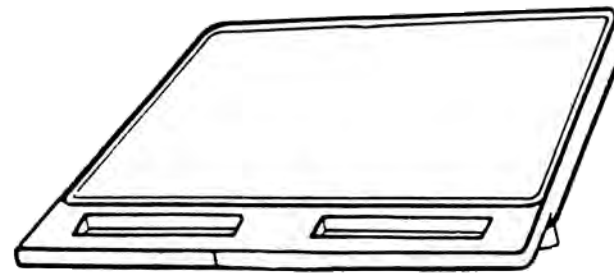
6
Begin seating of center shelf by holding door panel, leg and side panel as illustrated. Gently tap corner post into leg. Repeat on all 4 sides until all posts are partially inserted into legs. Now repeat hammering action more firmly going around to each shelf post and driving the leg posts more securely into the legs. Top of panels and door frame must be nested into the underside of the center shelf lip in the same manner as the bottom shelf.



Set shelf height as desired then tighten Allen head set screws to secure

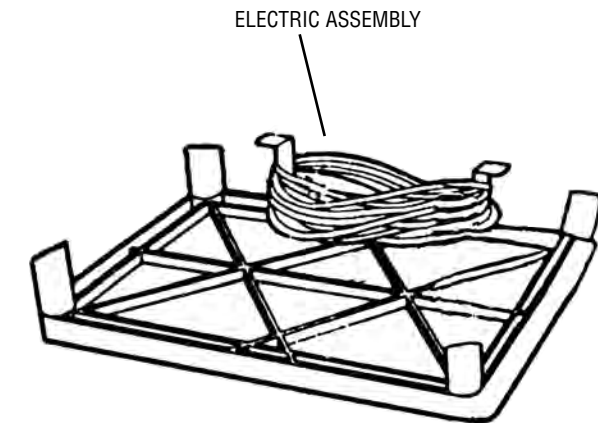


4.
Slide runners onto the legs and tighten down to desired height. Align holes on the shelf adapters to the holes on the bottom of the keyboard and attach using six sheet metal screws. Slide the rear of the shelf adapters under the tab on the back of the runners and snap the front of the shelf adapters onto the back tongue on the front of runners.



5.
Insert the leg post on the top shelf into the smaller legs.

IMPORTANT: Electric Assembly should be assembled first.



Align cord bracket to the pre-drilled holes on the underside of the middle and attach using two silver screws.