

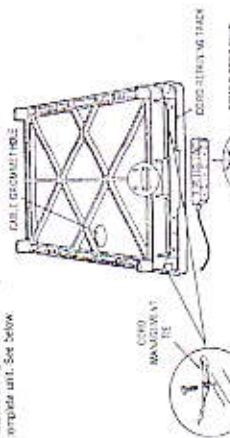
Instruction Sheet Model PC42KB & PC51KB



Customer Service Dept
2245 Delany Rd • Waukegan, IL 60087
Ph: 847/244-1600 • 800/323-4656
Fax: 847/244-1616 • 800/327-1636

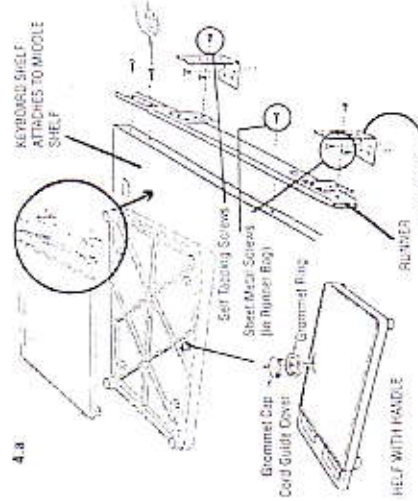
Illustration A

1. The electric unit should be assembled first. Cord wrap must be installed on leg before assembly of complete unit. See below.

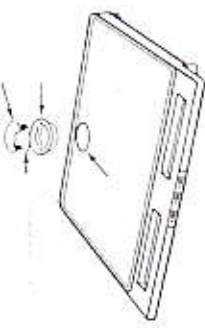


2. Firmly seat electric assembly 2 plug into the handle plug housing as illustrated. Secure with three cord plug relaying brackets.

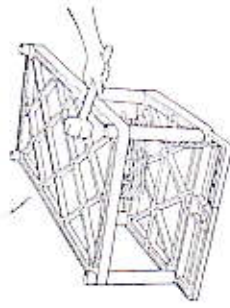
Secure power cord plug engagement into stator holes in stator metal sockets.



4.a



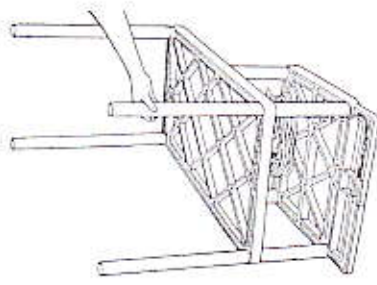
1. Install grommet ring by tapping into place with rubber mallet. Insert grommet cap as illustrated. For tables with electric assembly, snap off cord guide cover from grommet cap as equipment plug may be run through grommet plug unit. Then insert grommet cap into grommet ring.



4. Position second shelf (with 8 leg posts) ribbed side up over the 4 legs and insert leg posts into legs. Using a rubber mallet, firmly hammer bottom shelf into legs until all four legs are seated (flush) against the surfaces of both shelves. Attach keyboard (see step 4.a)

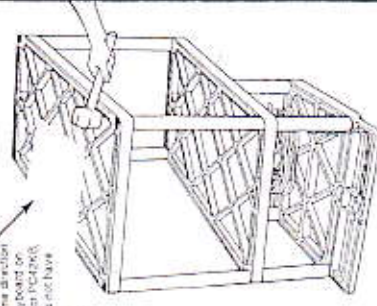


2. Lay leg shelf with handle ribbed side up on a smooth surface. Push all 4 short legs into leg posts.

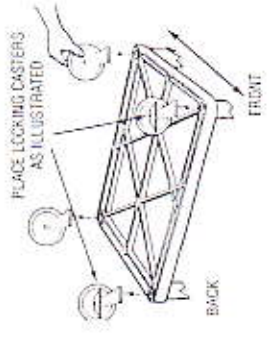


5. Push set of 4 long legs into leg posts of second shelf and firmly hammer until properly seated.

Cut out bottom panel must face same direction as per our keyboard on previous unit (see CORD WRAP INSTRUCTIONS) OUTSIDE OF BOTTOM SHELF



6. Position bottom shelf, ribbed side up, over the 4 long legs and insert leg posts into legs. Using a rubber mallet, firmly hammer bottom shelf into legs until all four legs are seated (flush) against the surfaces of both shelves.



7. Push the four casters firmly into the holes in each corner of the bottom shelf. Important: casters must be fully seated. Tie firmly with rubber mallet to properly seat casters. Turn your table right side up. Unit is now ready for use.

Parts List

PC42KB

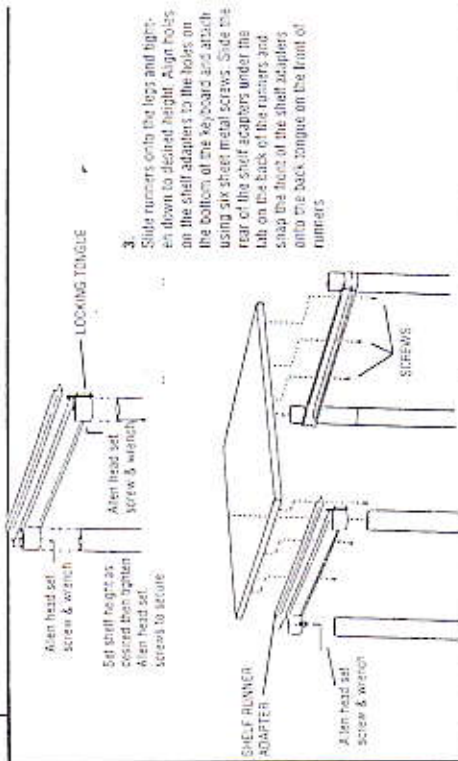
- 1 - Top shelf whasicle
- 1 - Middle shelf w/8 leg posts
- 1 - Bottom shelf w/caster sockets
- 1 - Set short legs
- 1 - Set long legs
- 5 - 2" Casters (2 w/brake)
- 1 - Electric assembly
- 1 - Cord wrap
- 2 - Keyboard assemblies
- 1 - CPU Holder w/wiring nuts

Tools Required:
Rubber mallet

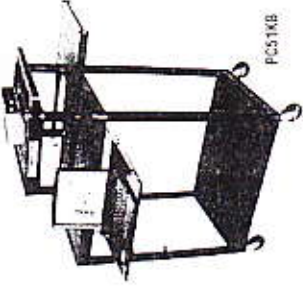
PC51KB

- 1 - Top shelf whasicle
- 1 - Middle shelf w/8 leg posts
- 1 - Bottom shelf w/caster sockets
- 1 - Set short legs
- 1 - Set long legs
- 4 - 4" Casters (2 w/brake)
- 1 - Electric assembly
- 1 - Cord wrap
- 2 - Keyboard assemblies

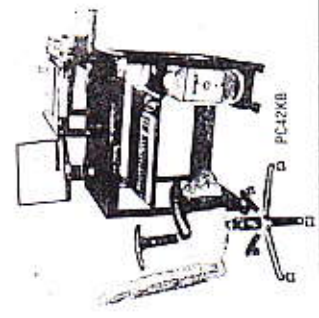
Tools Required:
Rubber mallet



3. Slide runners onto the legs and tighten down to desired height. Align holes on the shelf adapters to the holes on the bottom of the keyboard and attach using six sheet metal screws. Slide the rear of the shelf adapters under the tab on the back of the runners and snap the front of the shelf adapters onto the back tongue on the front of runners.



PC51KB



PC42KB