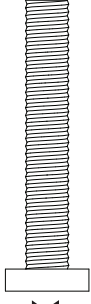


PS3001 Instruction Sheet



Custom Service Department
 Address: 2245 Delany Rd.
 Waukegan, IL 60087
 Phone: 847.244.1800
 800.323.4656
 Fax: 847.244.1818
 800.327.1698

PS3001

24 X  = M6 X 35 SCREW

4 X  = M4 SELF TAPPING SCREW

4 X  = M4 SCREW

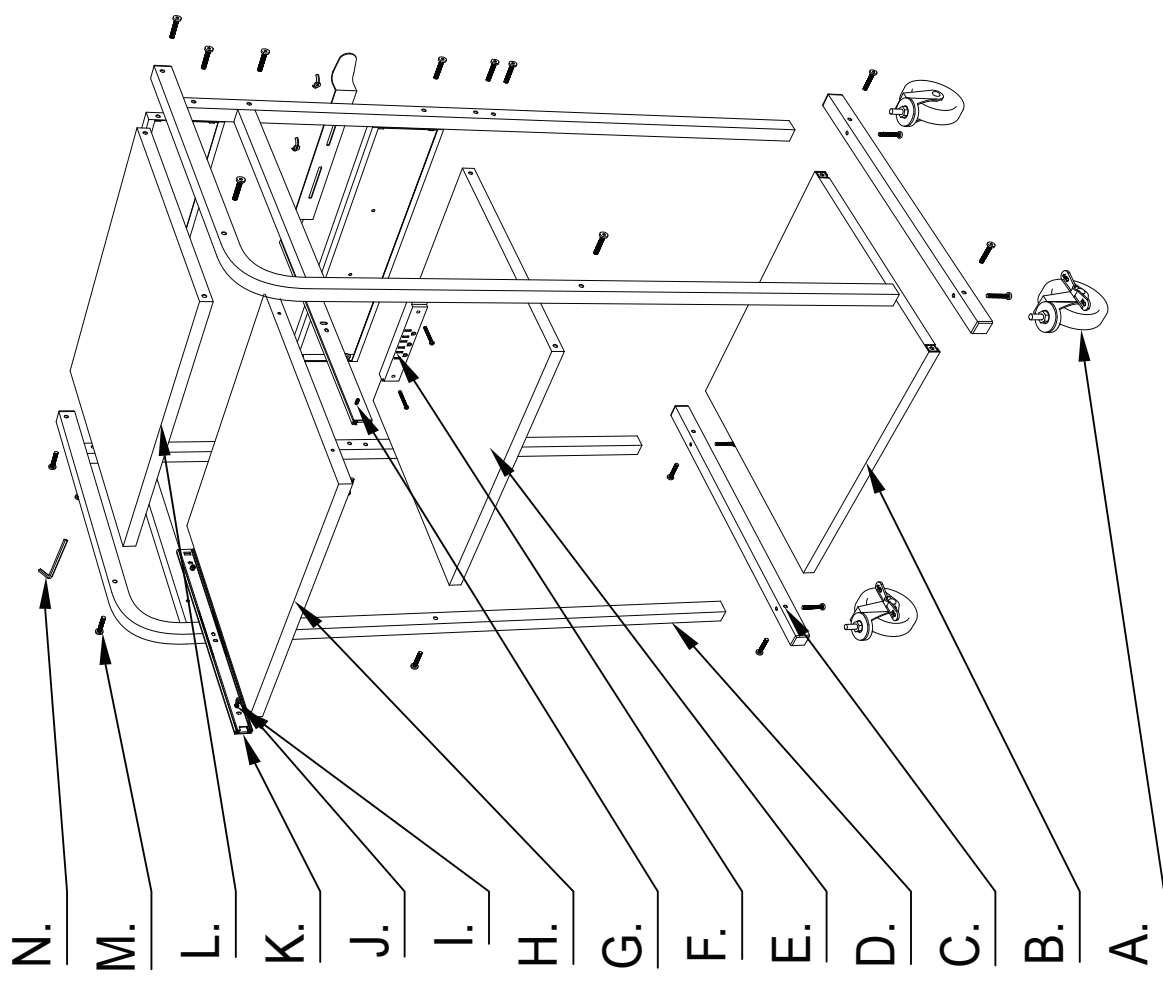
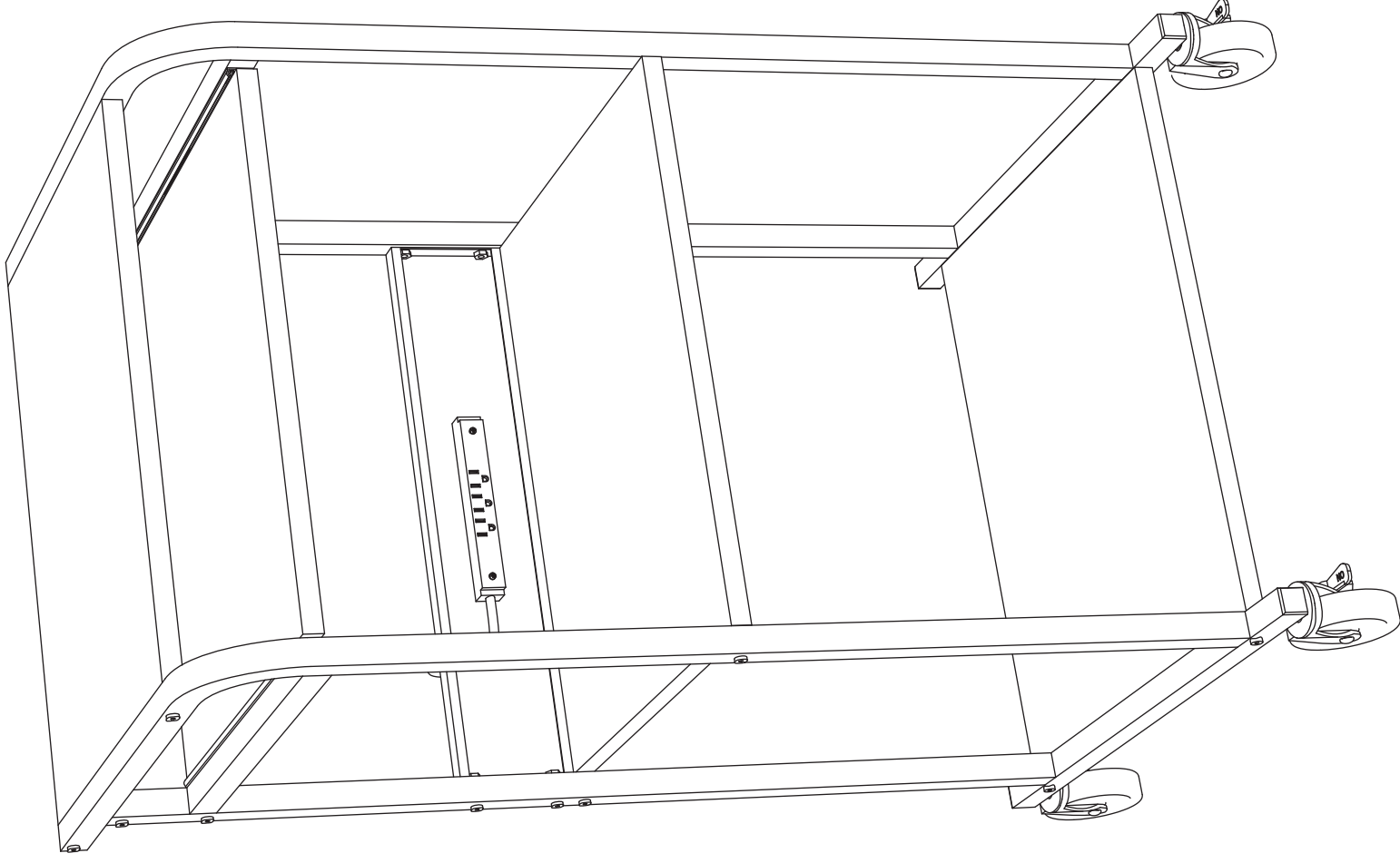
ALLEN WRENCH

4 X  = M4 NUT

Note: Do Not Fully Tighten Until Step 10

Part List:

- A. 1 - Castor Pack
- B. 1 - Base Panel with Support Tubes
- C. 2 - Base Rails with 4 Installed End Caps
- D. 2 - Side Rails with 2 Installed End Caps
- E. 1 - Large Shelf
- F. 1 - Optional Electric Pack:
 Power Cord, Cord Wrap, 2 - Bolts, 2 - Wing Nuts
- G. 4 - M4 Self Tapping Screws
- H. 1 - Pull-Out Shelf
- I. 4 - M4 Screws
- J. 4 - M4 Nuts
- K. 2 - Glides
- L. 1 - Small Shelf
- M. 24 - M6 x 35 Screws
- N. 1 - Allen Wrench



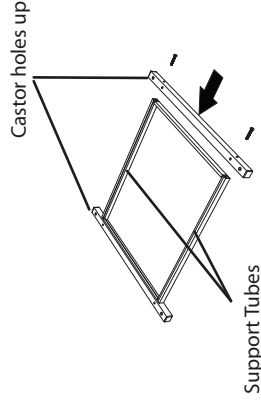
PS3001 Instruction Sheet



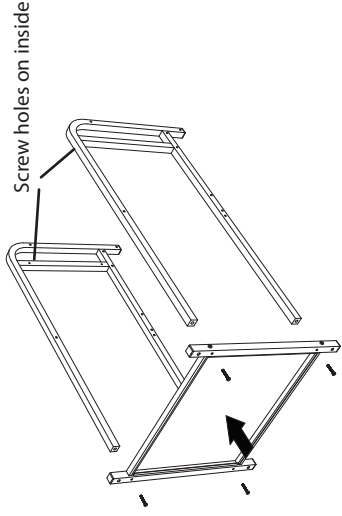
Custom Service Department
 Address: 2245 Delany Rd.
 Waukegan, IL 60087
 Phone: 847.244.1800
 800.323.4656
 Fax: 847.244.1818
 800.327.1698

Note: Do Not Fully Tighten Until Step 10

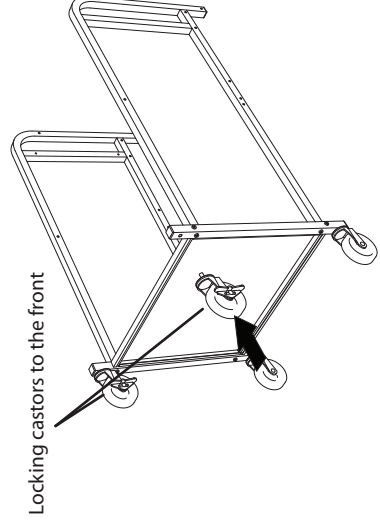
Step 1: Attach base rails to base panel with 4 - M6 screws



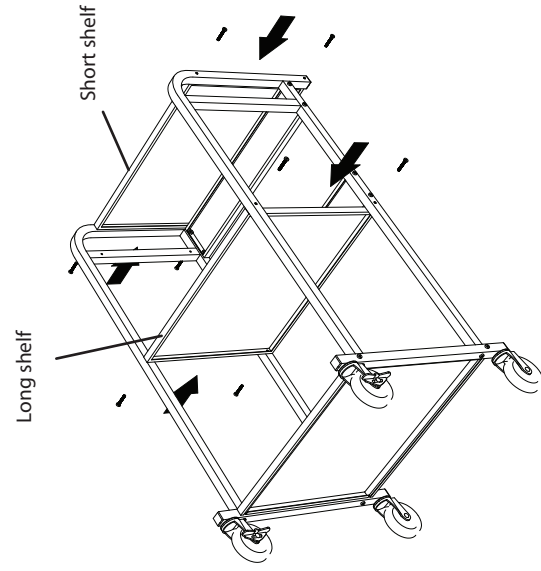
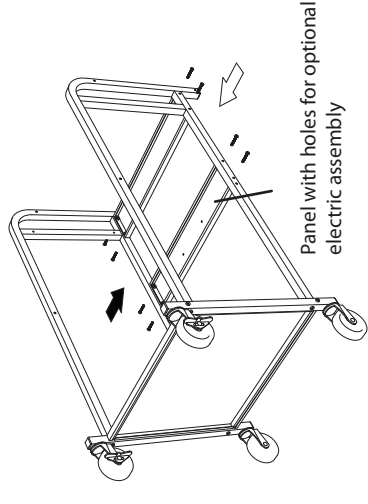
Step 2: Attach base to side rails with 4 - M6 screws



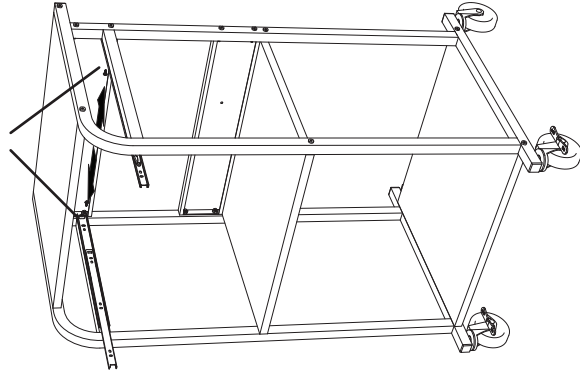
Step 3: Install castors and tighten with included castor wrench



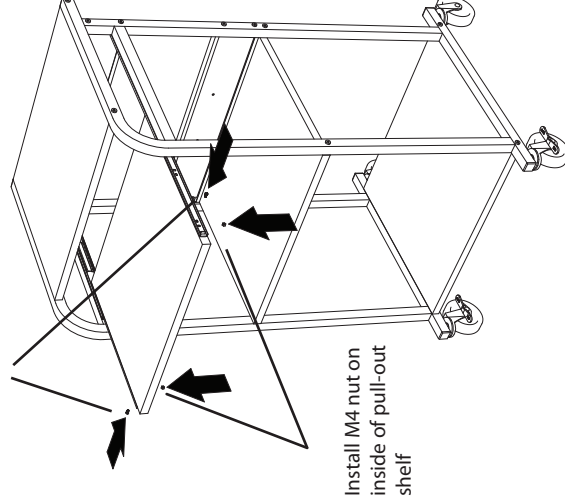
Step 4: Install back panels with 8 - M6 screws



M4 Self tapping screw

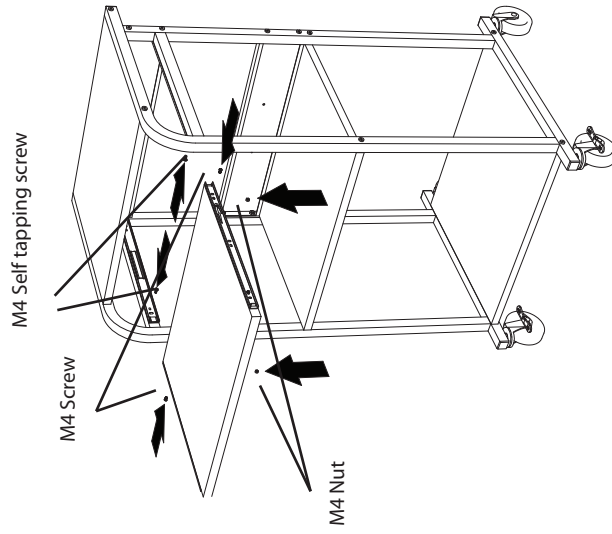


M4 Screw

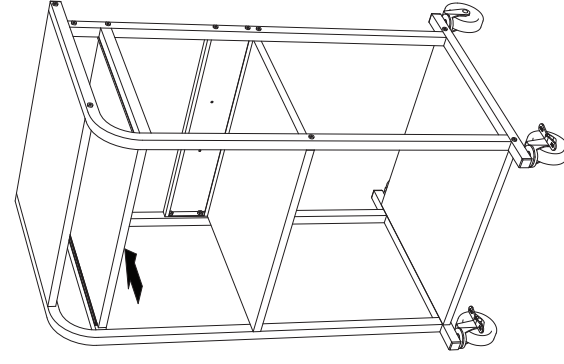


Install M4 nut on inside of pull-out shelf

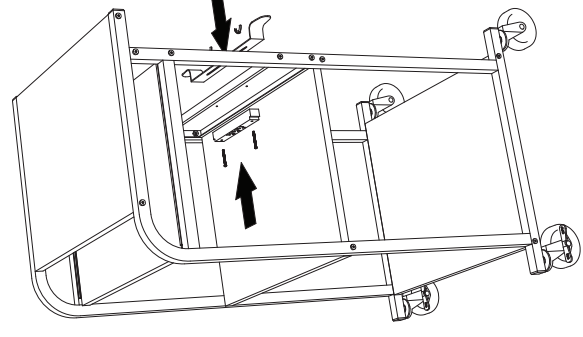
Step 5: Install top and middle shelves with 8 - M6 screws



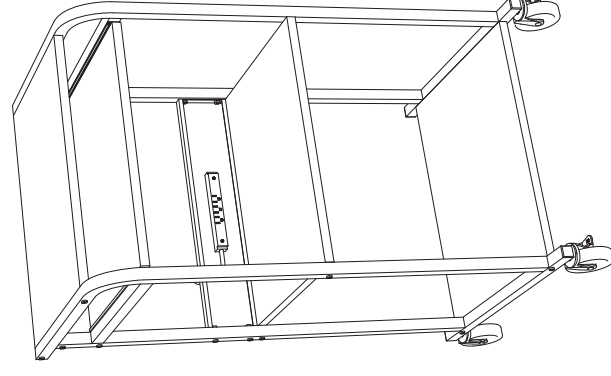
Step 6: Install 2 - M4 self tapping screws into back glide holes



Step 7: Install 2 - M4 screws and 2 - M4 nuts on the front of the pull-out shelf



Step 8: Release inner glide from outer glide and remove the pull-out shelf



Step 9: Install remaining screws into glides and pull-out shelf

Step 10: Insert pull-out shelf into glides and fully tighten all bolts

Step 11: Install optional electric assembly