

Instruction Sheet

For Heavy Duty Utility Carts

All TC, STC and PTC Models

Features include:

- Lifetime warranty.
- Two, three or four shelves.
- Models also have either all tub shelves or flat and tub shelves.
- 24" x 32" tables have 400 lb. capacity.
18" x 24" tables have 300 lb. capacity.

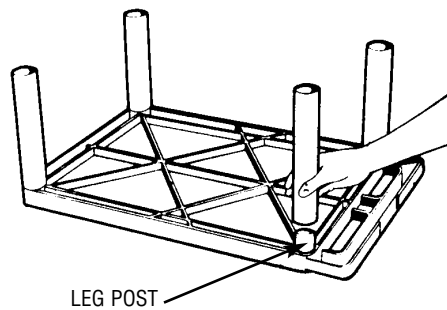
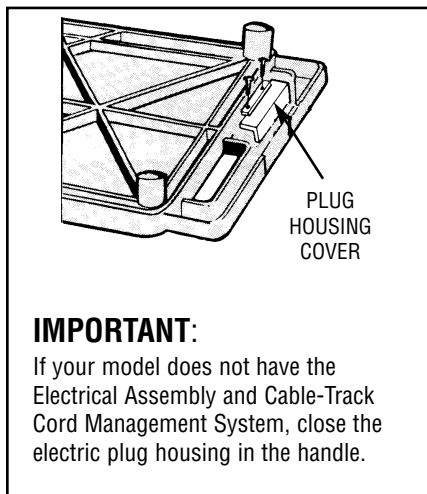


PARTS LIST

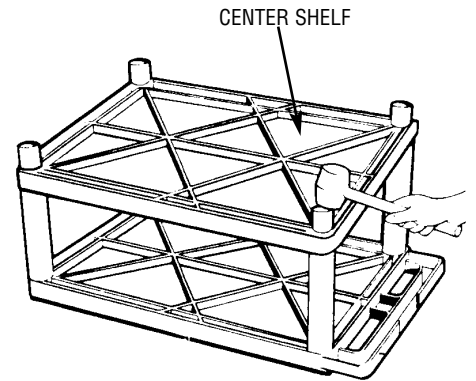
- 1 - Bottom shelf w/caster sockets
- 1 - Top shelf w/handle
- 1 - Center shelf
(only for three shelf models)
(4 shelf carts will have 2 center shelves)
- 8 - Legs
- 4 - Casters
- 1 - Plug housing cover
- 2 - Sheet metal screws

Tools Required:

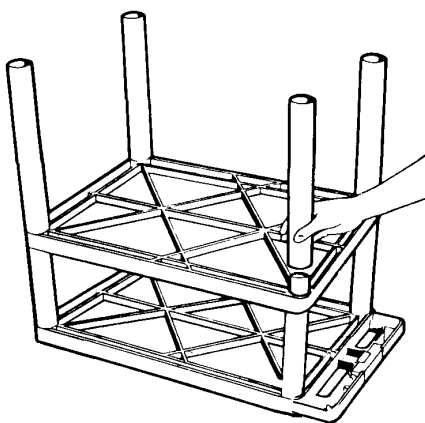
- 1 - Rubber mallet (supplied)
- 1 - Slotted screwdriver



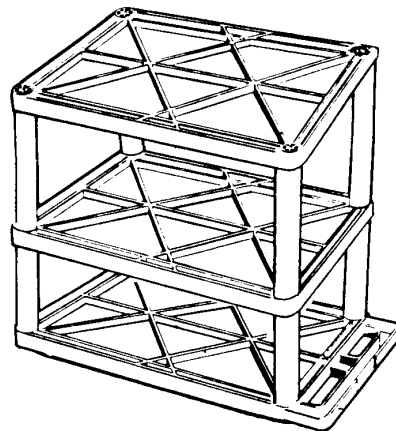
- 1.**
Lay top shelf (with handle), ribbed side up on a smooth surface. Push 4 legs onto leg posts.



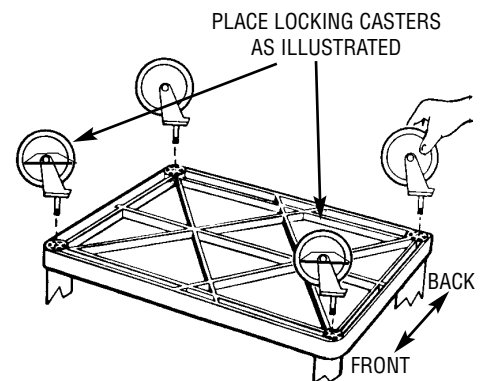
- 2.**
Position center shelf ribbed side up over the 4 legs and insert leg posts into legs. Using a rubber mallet, firmly hammer center shelf into legs until all four legs are seated (flush) against the surfaces of both shelves.



- 3.**
Push remaining legs onto leg posts of center tub shelf.



- 4.**
Position bottom shelf, ribbed side up, over the legs and insert leg posts into legs. Firmly hammer bottom shelf until seated onto all 4 legs.



- 5.**
Push the four casters firmly into the holes in each corner of the bottom shelf. **Important:** casters must be fully seated. Tap firmly with rubber mallet to properly seat casters. **For assembly of PTC's pneumatic tires, see reverse side.**