

Instruction Sheet

For Heavy Duty Utility Carts

All TC, STC and PTC Models

Features include:

- Lifetime warranty.
- Two, three or four shelves.
- Models also have either all tub shelves or flat and tub shelves.
- 24" x 32" tables have 400 lb. capacity.
18" x 24" tables have 300 lb. capacity.

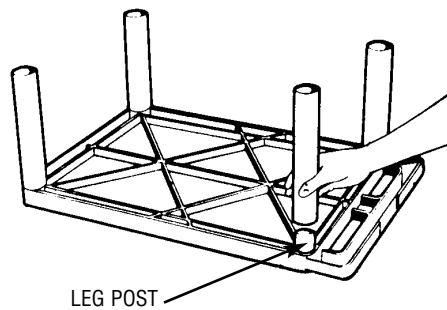
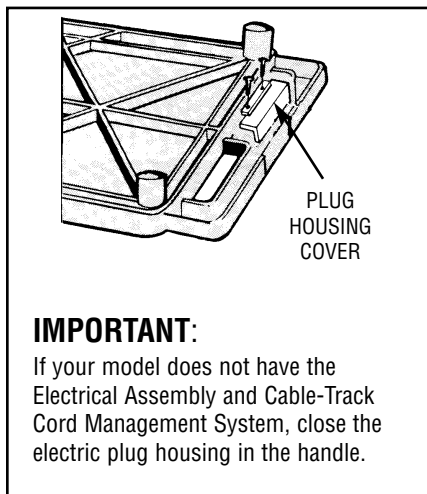


PARTS LIST

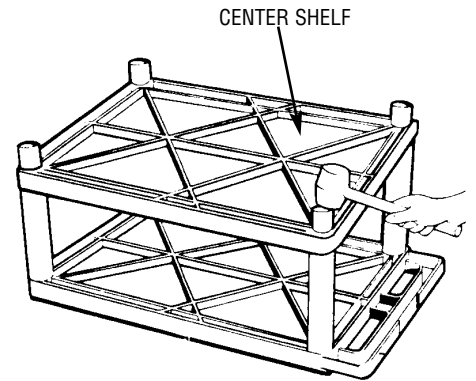
- 1 - Bottom shelf w/caster sockets
- 1 - Top shelf w/handle
- 1 - Center shelf
(only for three shelf models)
(4 shelf carts will have 2 center shelves)
- 8 - Legs
- 4 - Casters
- 1 - Plug housing cover
- 2 - Sheet metal screws

Tools Required:

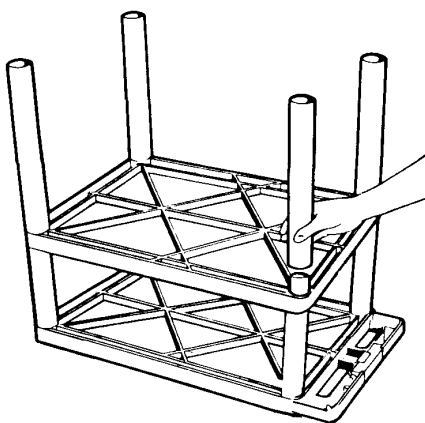
- 1 - Rubber mallet (supplied)
- 1 - Slotted screwdriver



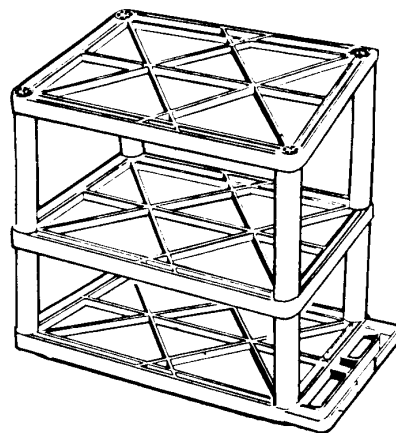
- 1.**
Lay top shelf (with handle), ribbed side up on a smooth surface. Push 4 legs onto leg posts.



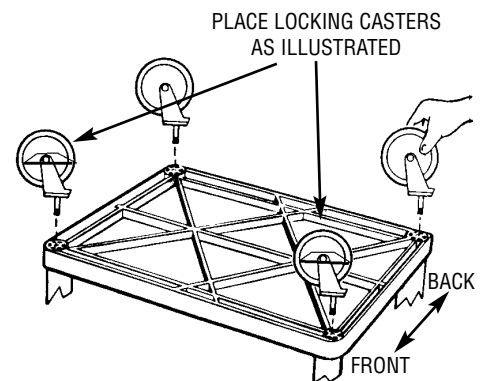
- 2.**
Position center shelf ribbed side up over the 4 legs and insert leg posts into legs. Using a rubber mallet, firmly hammer center shelf into legs until all four legs are seated (flush) against the surfaces of both shelves.



- 3.**
Push remaining legs onto leg posts of center tub shelf.



- 4.**
Position bottom shelf, ribbed side up, over the legs and insert leg posts into legs. Firmly hammer bottom shelf until seated onto all 4 legs.



- 5.**
Push the four casters firmly into the holes in each corner of the bottom shelf. **Important:** casters must be fully seated. Tap firmly with rubber mallet to properly seat casters.
For assembly of PTC's pneumatic tires, see reverse side.

Instruction Sheet

Pneumatic Caster Adapters for PTC Models

Before assembly please note the following:

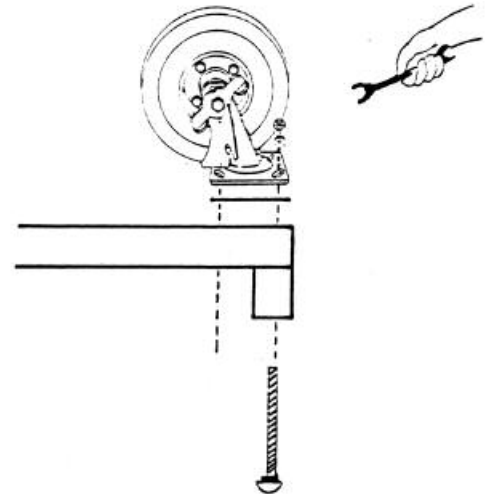
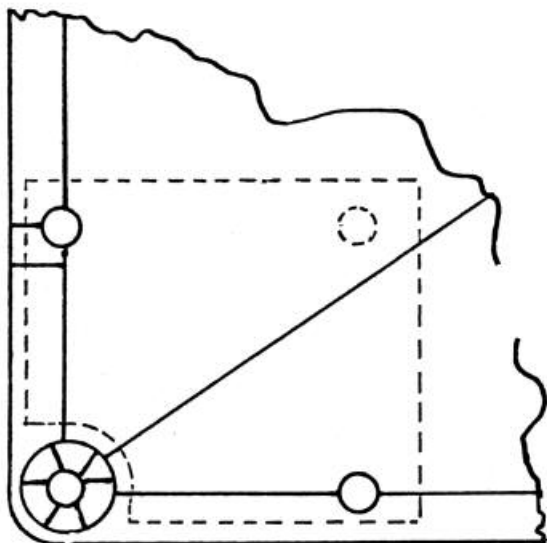
- A. Notice which side of bottom shelf is 24" and which is 32".
- B. Look at diagram carefully to see how and where each type of caster is attached.

Parts List

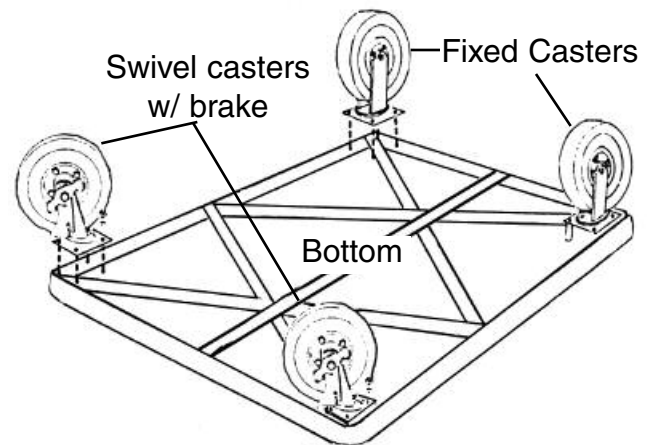
- 2 - Swivel casters w/brake
- 2 - Fixed casters
- 16 - Bolts
- 16 - Kep Nuts

Tools Required:
Adjustable Wrench

Cut away view of left side of bottom shelf



Bolt goes through shelf, through bracket, through caster plate, then is secured using kepinuts.



Check tire pressure every 30 days. Pressure should be maintained at 50 lbs.

Replacement parts may be purchased from your Luxor dealer should you encounter a problem with your pneumatic casters.

Part No.	Description
80109	8" pneumatic wheel w/o brake
80110	8" pneumatic wheel w/brake

Customer Service Dept
LUXOR
2245 Delany Road
Waukegan, IL 60087

