

Instruction Sheet

Model TL-16-PS

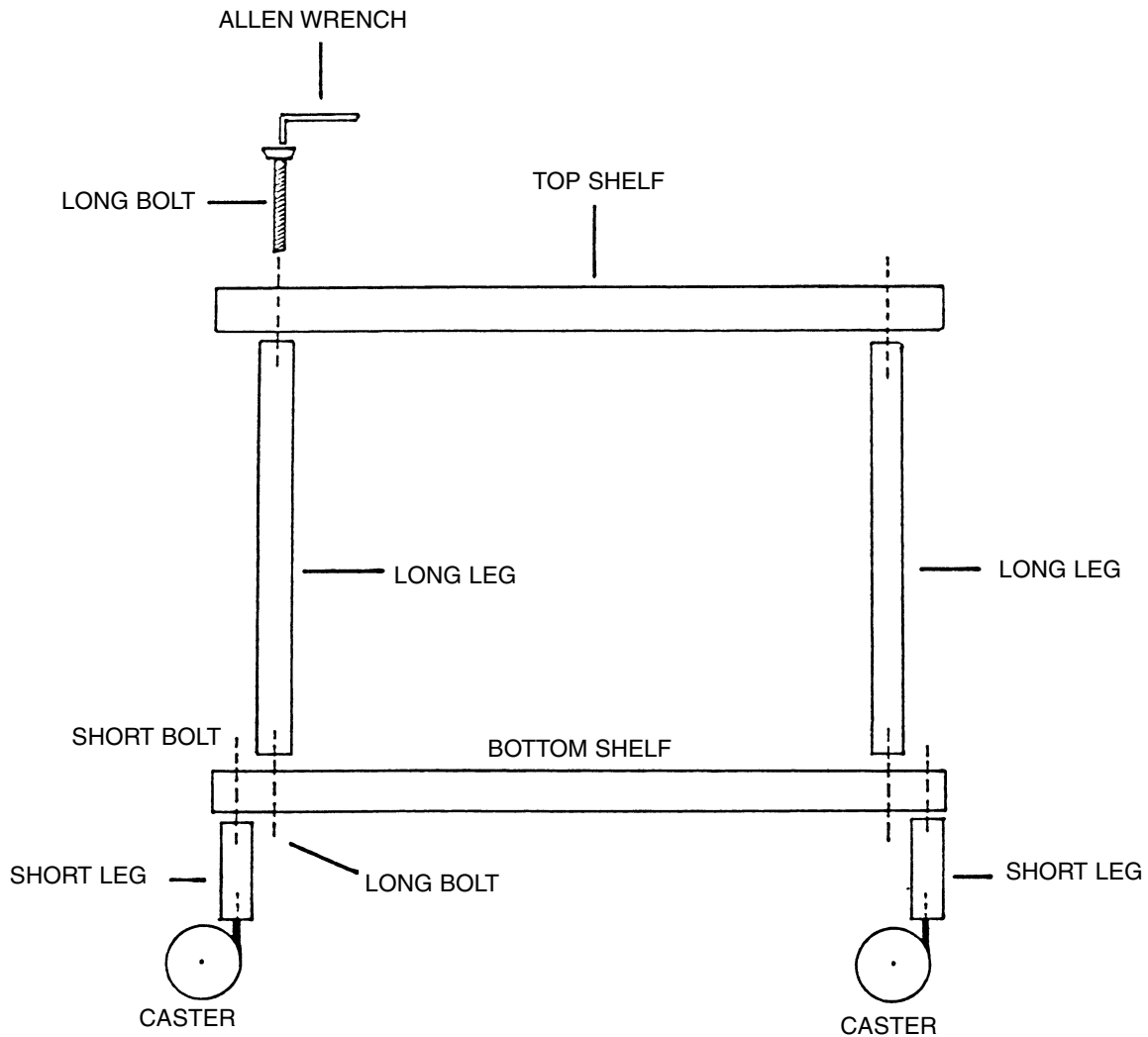
Hi-Tech Printer Stands

Luxor
Customer Service Dept.
2245 Delany Road
Waukegan, IL 60087



PARTS LIST

- 1 - Top Shelf
- 2 - 8" Legs
- 1 - Bottom Shelf (six holes)
- 4 - Short Legs
- 4 - Long Bolts
- 4 - Short Bolts
- 4 - Casters
- 1 - Allen Wrench



Instructions

1. Be sure casters are fully seated.
2. Short bolts are used with short legs.
3. Long bolts are for long legs.
4. Be sure to tighten bolts very snug.