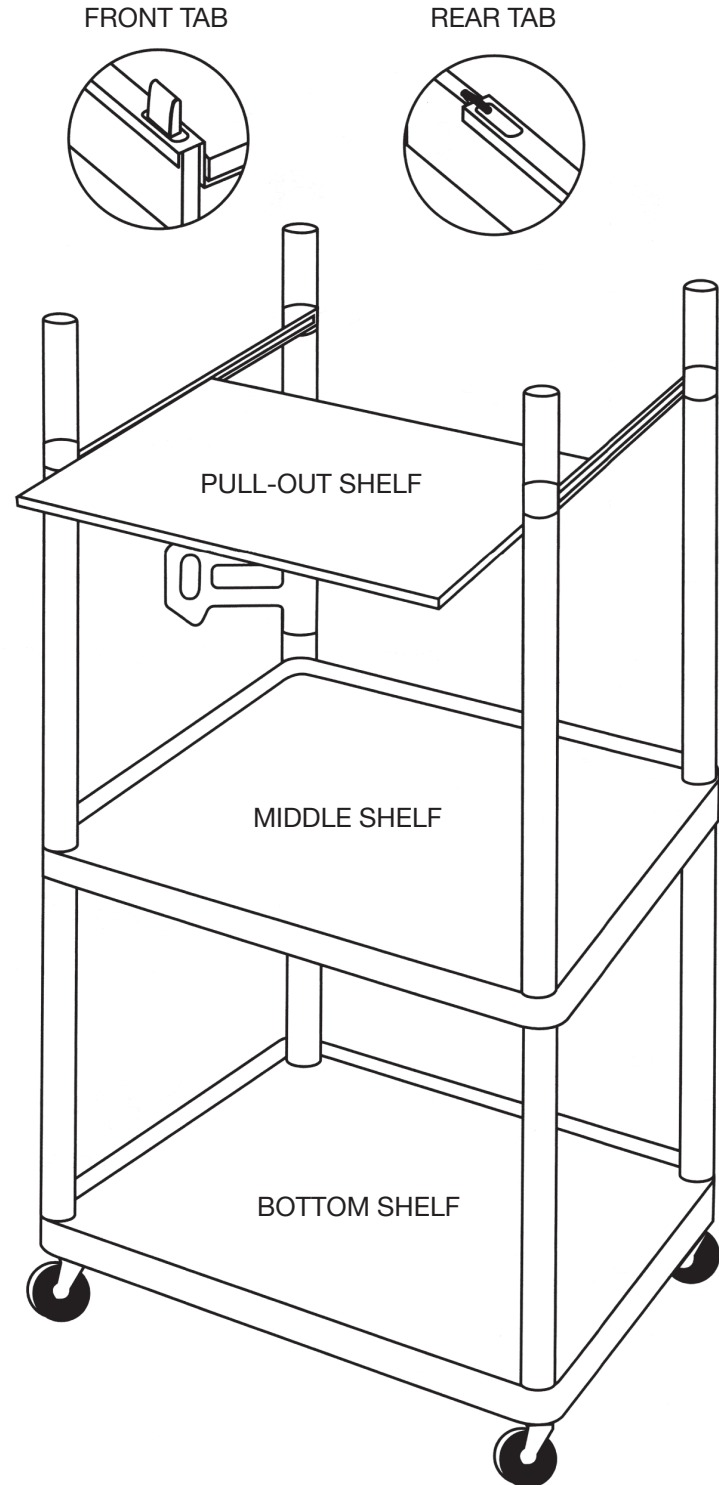
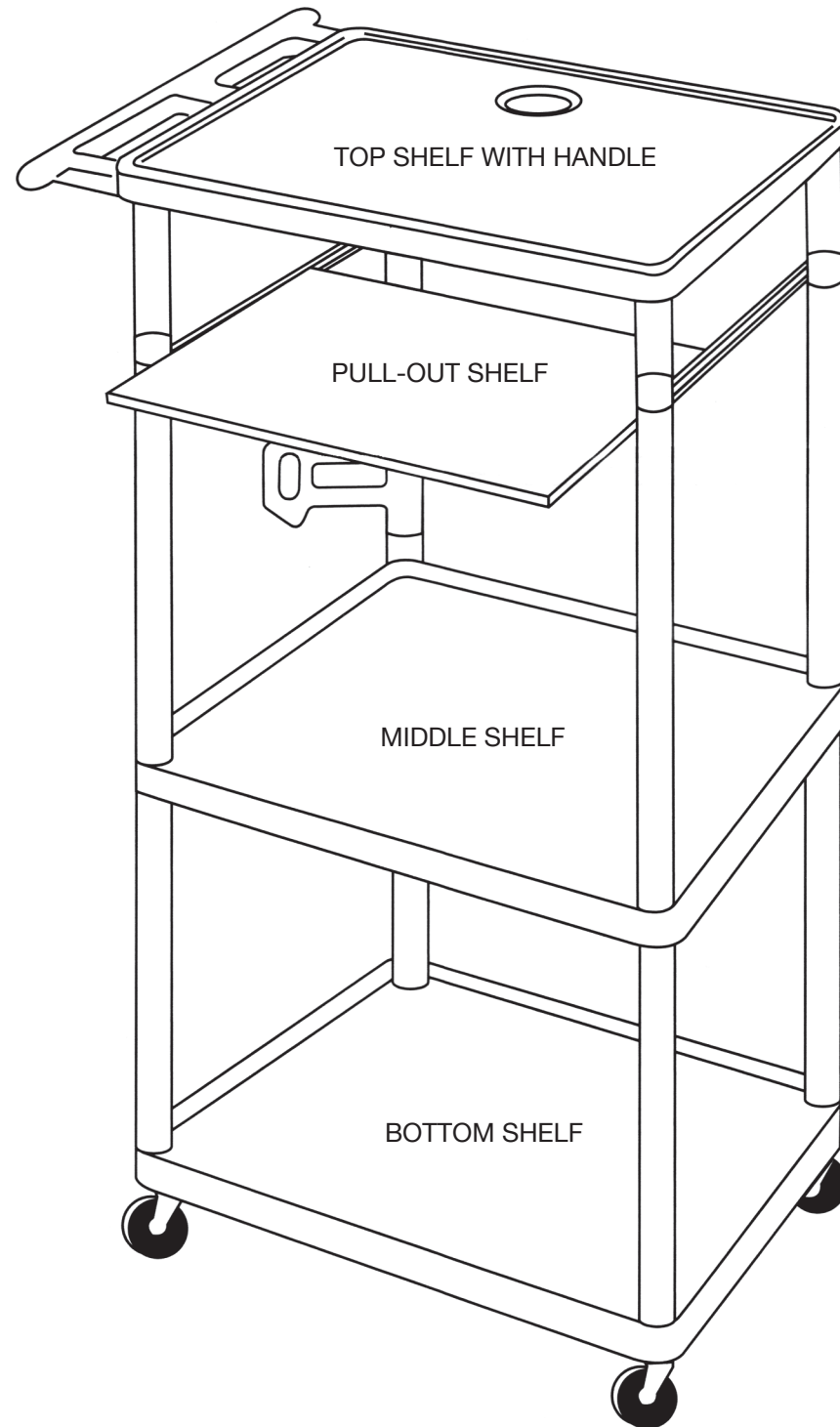


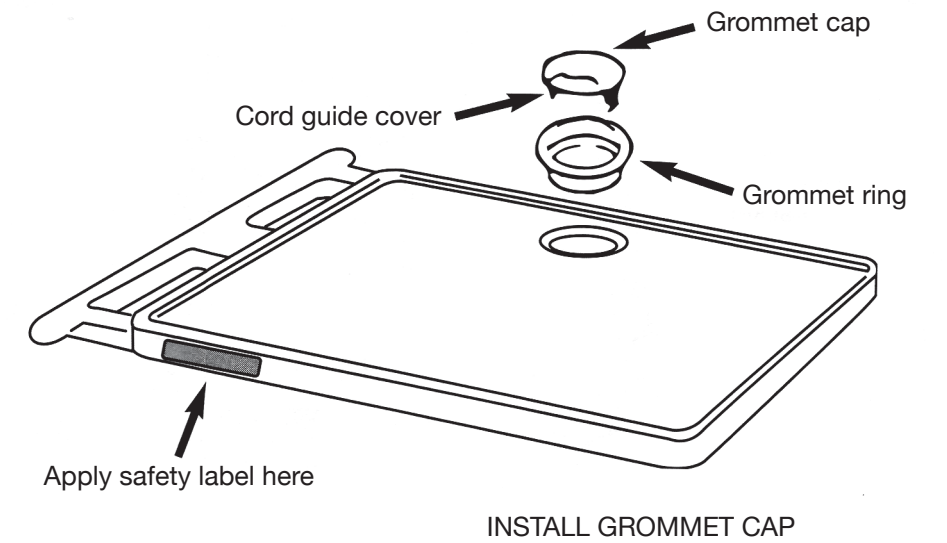
7 Attach the keyboard by inserting the back of the keyboard rail into the tab in the rear of the runner, and snap the front of the keyboard rail onto the black tabs. See diagram.



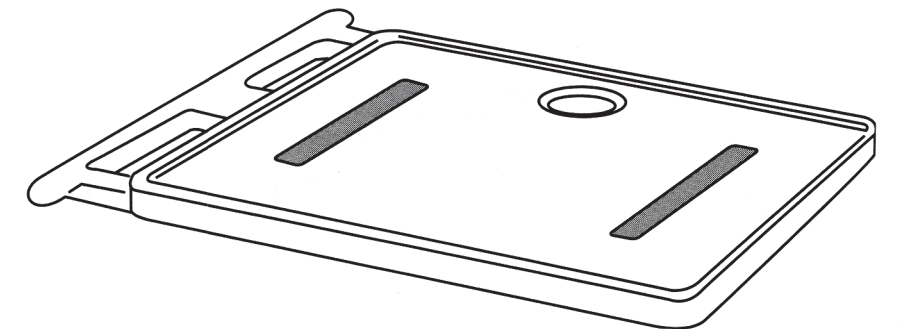
8 Insert leg post on the top shelf into the leg post and firmly seat.



9 Install grommet ring by tapping into place with rubber mallet. Snap off cord guide cover from grommet cap so equipment plug may be run through grommet to plug unit, then insert grommet cap into grommet ring.



10 Apply sure grip pads where needed to help prevent equipment from moving on shelves.





Instruction Sheet

Quartet Plastic Mobile Tables

Model TPW35Q



ACCO Brands
300 Tower Parkway
Lincolnshire, IL 60069-3640
acco.com
quartet.com

Questions?
Call Technical Service: 1-800-541-0094

Parts List

- 1 – Keyboard shelf
- 2 – Runners
- 2 – Shelf runner adapters
- 1 – Top shelf with handle
- 1 – Center shelf with 8 leg posts
- 1 – Bottom shelf with caster sockets

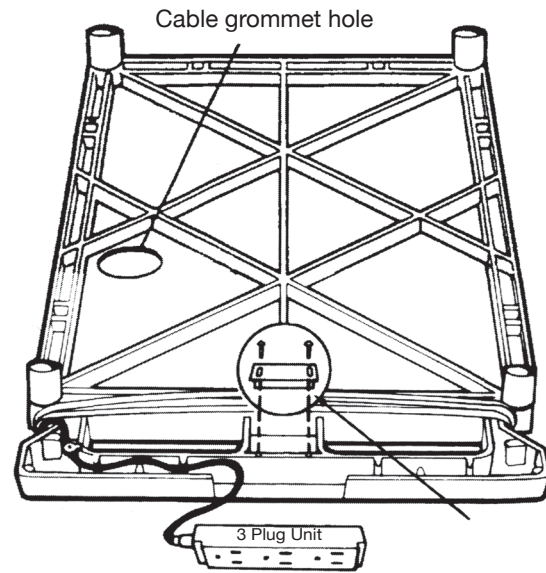
- 4 – Short leg posts
- 4 – Long leg posts
- 2 – Casters
- 2 – Casters with brakes
- 6 – Small Phillips head 1/2" screws
- 1 – "L" bracket

- 2 – Slotted sheet metal screws
- 1 – 3-outlet power cord
- 4 – Allen head set screws
- 1 – Allen wrench
- 1 – Grommet pass through ring
- 2 – Sure grip pads

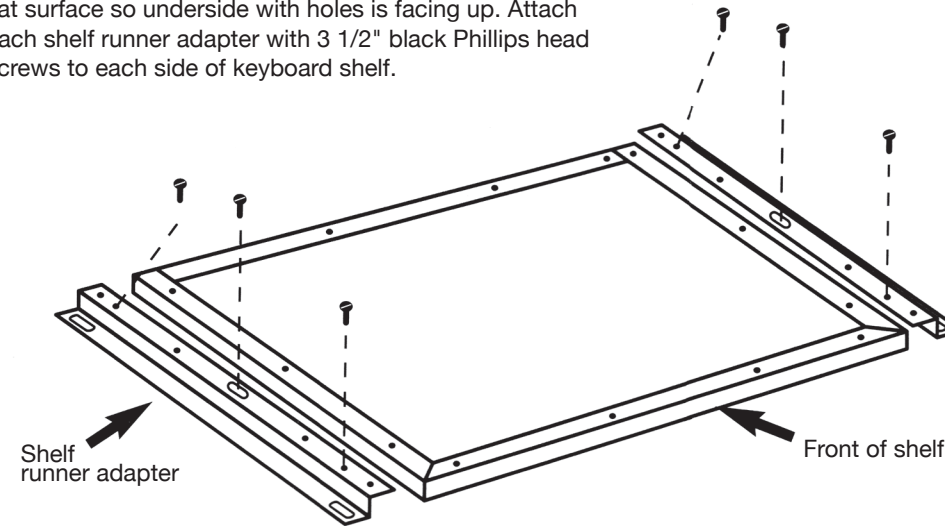
- Tools Required:**
- 1 Rubber mallet
 - 1 Slotted screwdriver
 - 1 Phillips screwdriver

1
Lay top shelf with handle (ribbed side up) on a smooth flat surface as illustrated. Firmly push the 3 plug power cord unit into the plug housing on the top shelf.

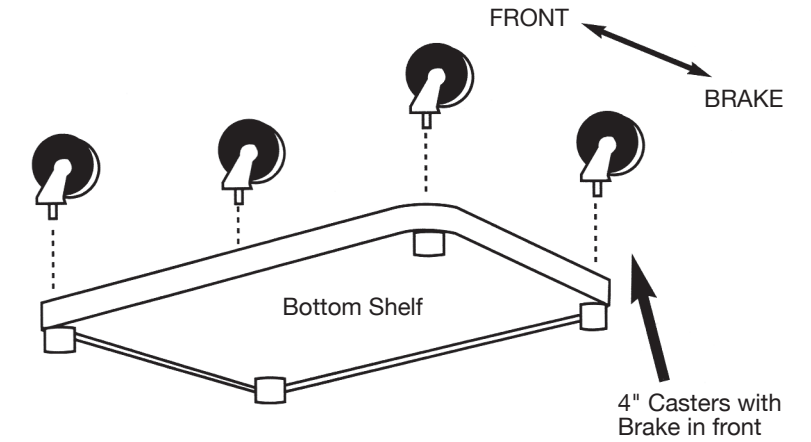
Secure power cord into top shelf with retaining "L" bracket and 2 1/2" silver slotted or sheet metal screws. DO NOT OVER TIGHTEN.



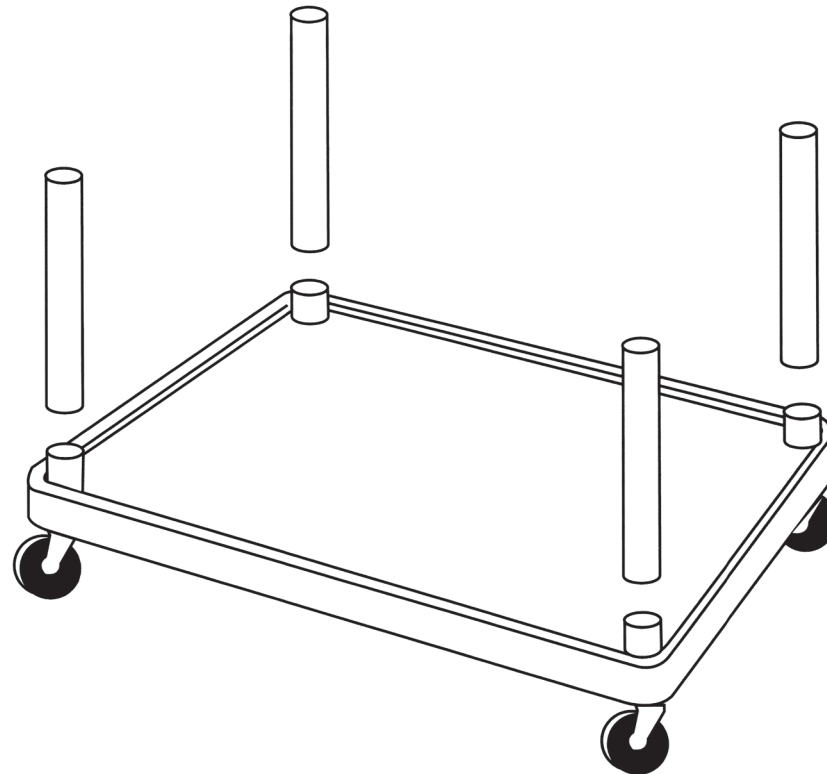
2
Keyboard shelf assembly—lay metal keyboard shelf on a flat surface so underside with holes is facing up. Attach each shelf runner adapter with 3 1/2" black Phillips head screws to each side of keyboard shelf.



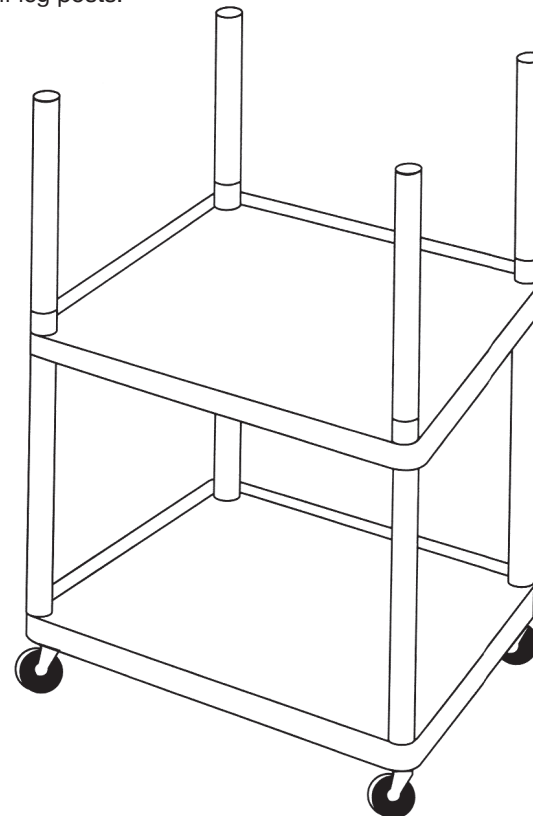
3
Firmly seat casters into casters sockets on the bottom shelf.



4
Slide shorter legs onto leg post onto bottom shelf and firmly seat.



5
Insert leg post on the middle shelf into legs attached to the bottom shelf. Then insert longer legs onto middle shelf leg posts.



6
Slide the plastic cord wrap onto rear leg. Slide the runners onto the legs and tighten down to desired height with 4 allen head screws provided.

