

Instruction Sheet

Model TV-50RT



Customer Service Dept
Luxor
2245 Delany Rd
Waukegan, IL 60087

Ph: 847/244-1800 • 800/323-4656
Fax: 847/244-1818 • 800/327-1698

Step 1

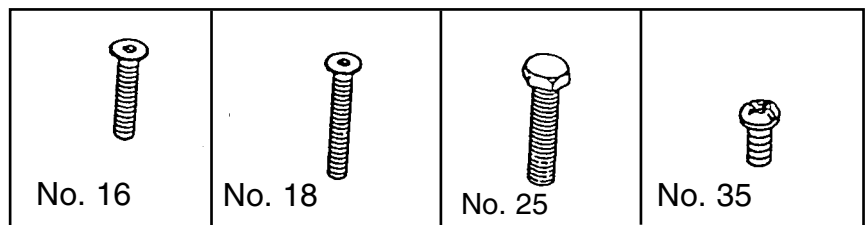
Parts needed:

- 1 - Wood bottom
- 2 - Side frames
- 2 - Casters w/brake
- 2 - Casters w/o brake
- 16 - #25 Screw
- 16 - 5/16 Nuts

Tools Required:

- Allen keys
- Wrench

Take bottom shelf and turn on its side. Align side frame with holes in the shelf. Then align a caster on the opposite side. Next, take a #25 screw and a 5/16 nut and assemble together. Repeat same step on other three sides.



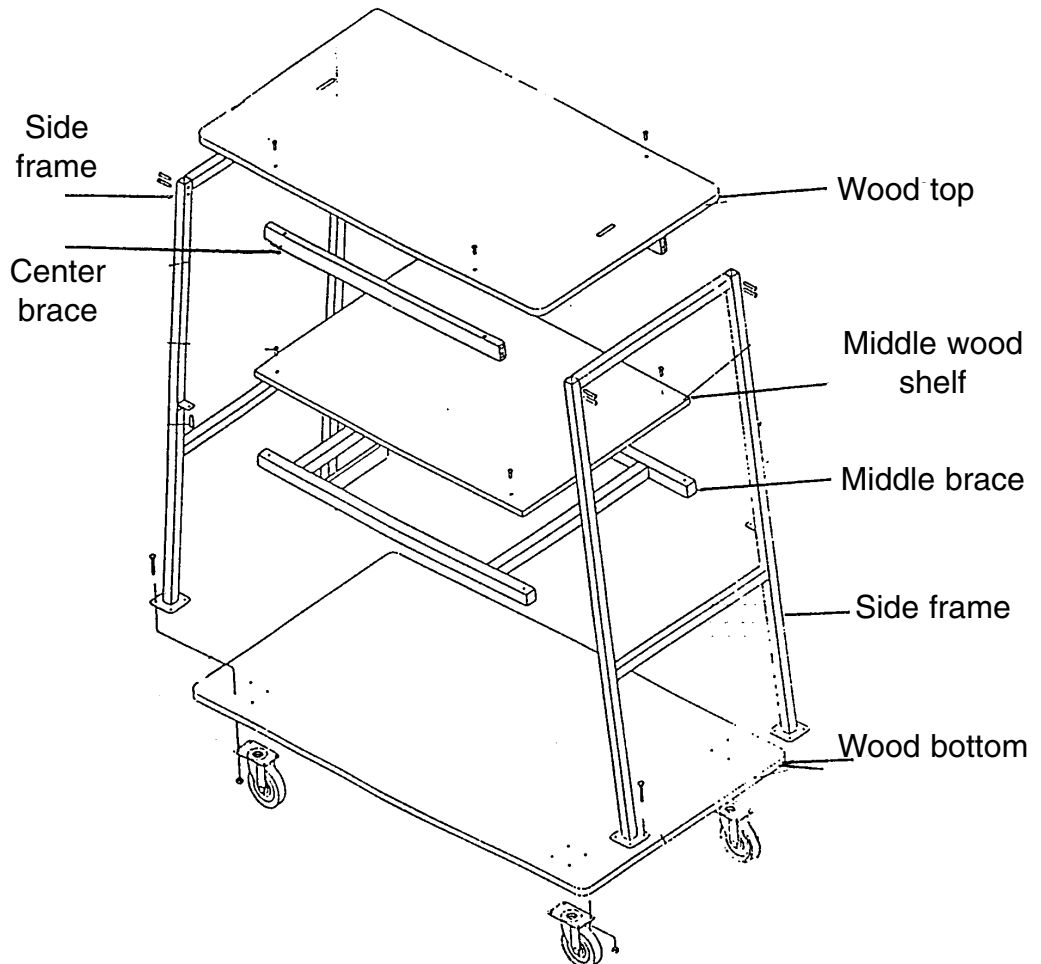
Step 2

Parts Needed:

- 1 - Middle support brace
- 1 - Middle wood shelf
- 4 - #35 Screw
- 4 - #16 Screw

Now bolt down middle brace with #35 screw to the side frames.

Then screw down middle wood shelf to the center brace using a #16 screw.



Step 3

Parts Needed:

- 1 - Wood top
- 2 - Cross brace
- 10 - #18 Screw
- 4 - #35 Screw
- 1 - Cord bracket
- 2 - 1/4" Nut

Assemble the two top braces to the side frames. Then screw the wood top to the center of the two braces. Assemble cord bracket to the back of the unit.



LUXOR