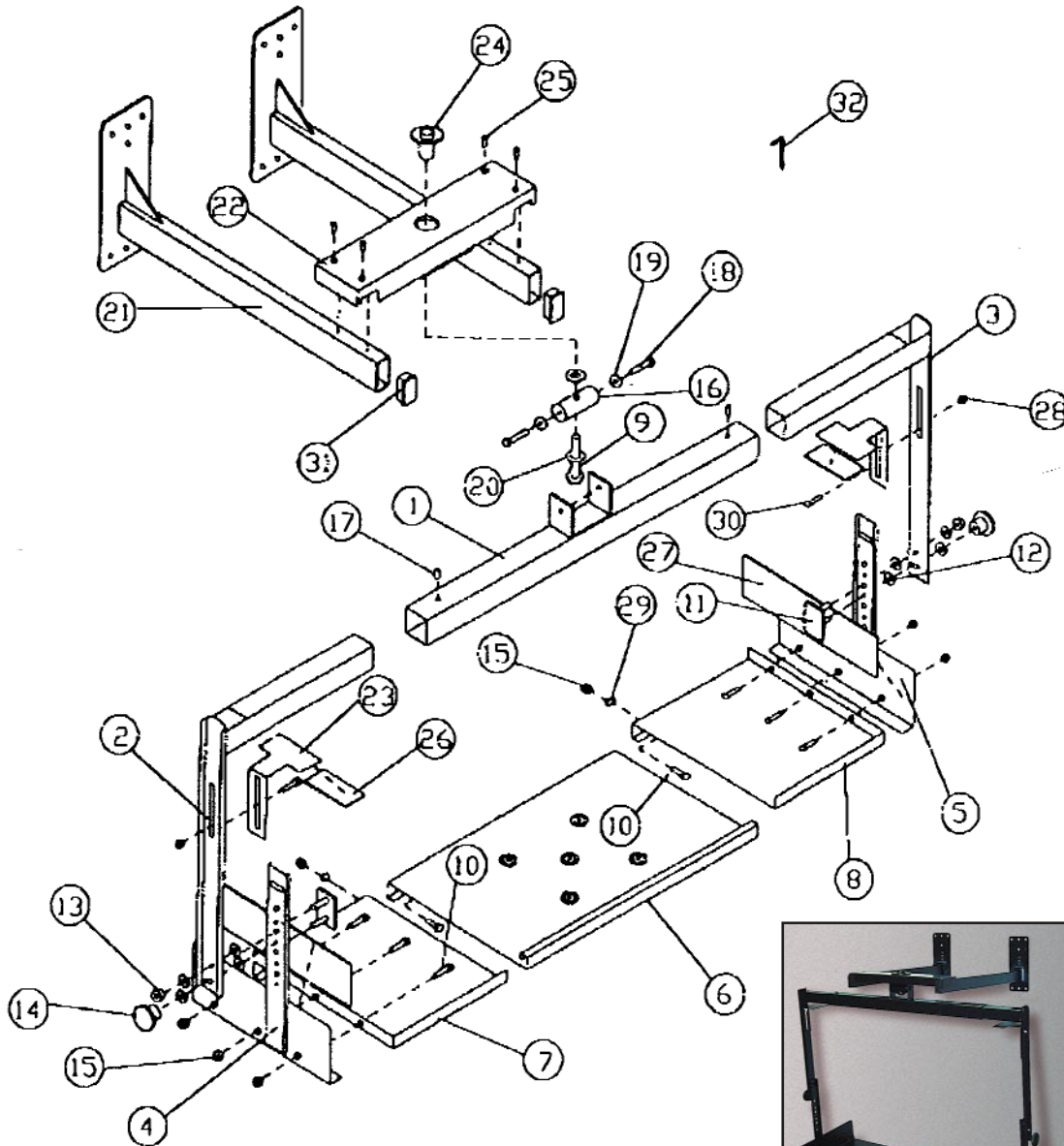


WM4



1	FORCE ARM
2	LEFT EXTENSION A
3	RIGHT EXTENSION A
4	LEFT EXTENSION B
5	RIGHT EXTENSION B
6	CENIRE PLATFORM
7	LEFT PLATFORM
8	RIGHT PLATFORM
9	SCREW 3/4"-16UNF
10	SCREW M6*P1.0*L12
11	ADJUSTING PLATE
12	WASHER Ø3/8"*Ø26
13	NYLON NUT 3/8"-16
14	ADJUSTING NUT 5/16
15	NYLON NUT M6*P1.0
16	CONNECTER
17	BRAKE SCREW 1/4"
18	SCREW 3/8"-16UNC*
19	WASHER Ø3/8"*Ø26
20	WASHER Ø3/4"*Ø46
21	WALL PLATE
22	FORCE ARM
23	TV TOP ADJUSTABL
24	CIRCLE TUBE NUT
25	SCREW M6*L25MM
26	SPONGE STRIP 45*
27	SPONGE STRIP 80*
28	NYLON NUT M8*P1.2
29	WASHER Ø1/4"
30	COACH BOLT H8*L10
31	END PLUG 25*50
32	ALLEN KEY M3



WM40