



H Wilson Company
Specialty Furniture

555 West Taft Drive South Holland, IL 60473
Phone: (800) 245-7224 Fax: (800) 245-8224

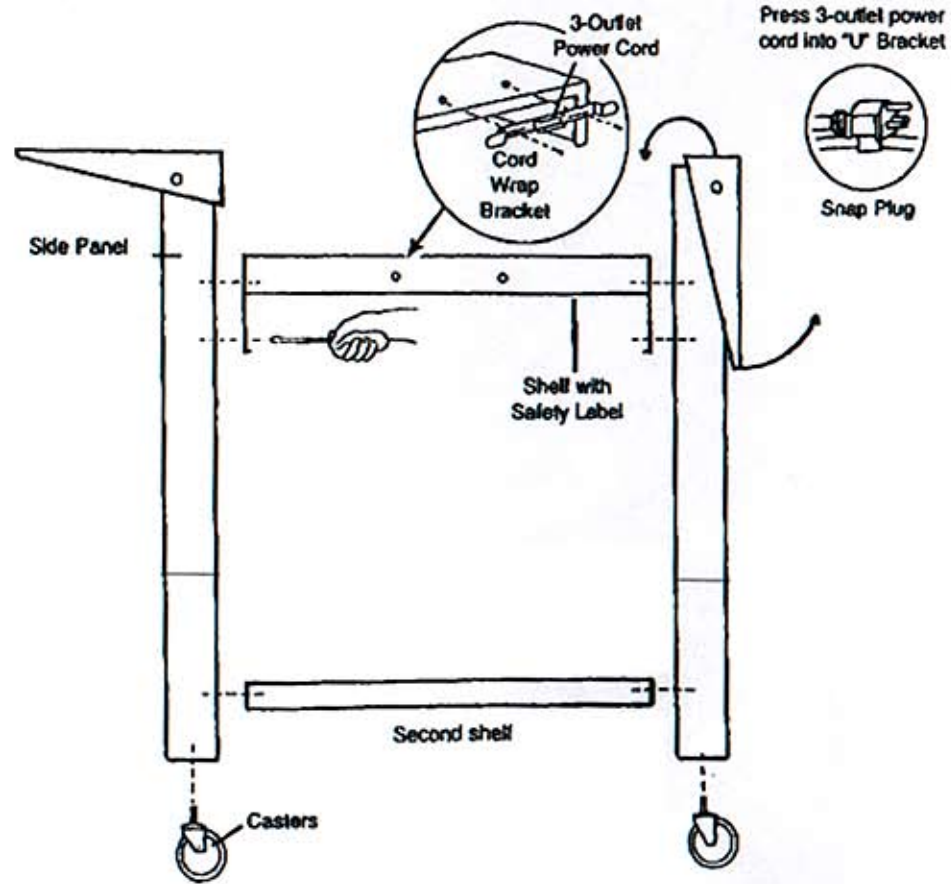
Instruction Sheet
WOH29E/WOH39E



Parts Lists
WOH29E & WOH39E

- 2 - Side supports
- 2 - Shelves
- 1 - Cord wrap
- 2 - Casters w/brake
- 2 - Casters
- 1 - Power cord
- 2 - Small bolts
- 2 - Small nuts
- 12 - Shelf screws

Tools Required:
Phillips head screwdriver
Slotted screwdriver



ASSEMBLY

1. Separate and identify parts
2. Attach shell with safety label to side panel using shelf screws provided. Secure using screwdriver.
3. Follow the same procedure for other side panel.
4. Position second shelf to side panels in the same manner as top shelf. Secure using shelf screws and screwdriver.
5. Safety label on shelf is the front. Tap casters with brake in the front and casters without brake in back.
6. Attach cord wrap bracket to rear of shelf using two small screws and nuts.
7. Press 3-outlet power cord into the "U" bracket located in the center of the cord wrap bracket.
8. Wrap cord around cord wrap. Utilize snap plug on the end of cord for safety and neat appearance.
9. Recheck all casters to be sure they are fully seated. Check all screws to be sure they are fully tightened.
10. Never allow children to move table. Only adults should be allowed to move table in a pushing motion. Never pull table. Table is now ready to use.