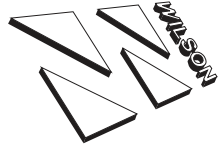


WPSDD3 Instruction Sheet



H. Wilson Company
 Address: 2245 Delany Rd.
 Waukegan, IL
 Phone: 800.245.7224
 Fax: 800.245.8224
 Email: sales@hwilson.com
 web: www.hwilson.com

APRIL 2010 - REV00

Panel List:

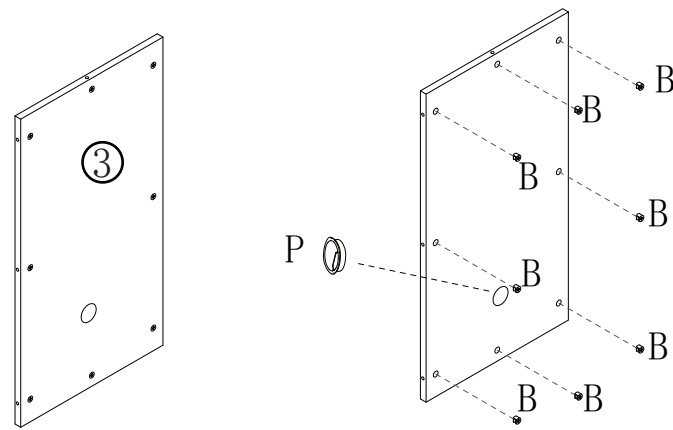
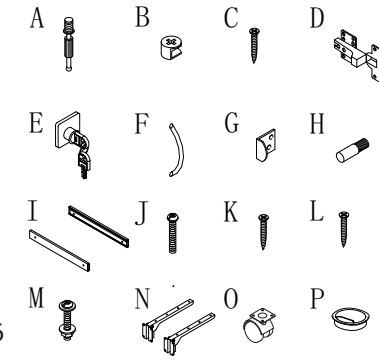
- 1a. Front Brace (1a and 1b)
2. Cabinet/Drawer Divider
3. Back Panel
4. Right Side Panel
5. Left Side Panel
- 6a. Top Panel
- 6b. Bottom Panel
7. Pull-out Shelf (7a and 7b)
8. Door Panel
9. Drawer (9a, 9b, 9c, 9d and 9e)
10. Pop-up Shelves (10a and 10b)
11. Adjustable Shelf

Hardware:

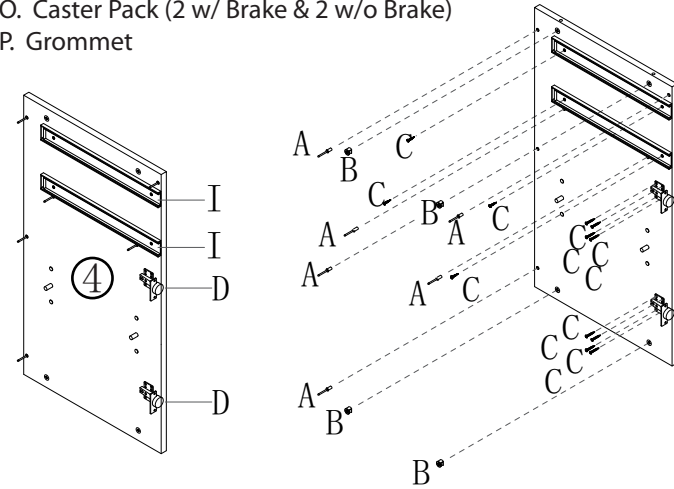
- A. Metal Dowel - 30
- B. Cam - 30
- C. Wood Screw - 70
- D. Door Hinge - 2
- E. Lock and Key Pack - 1
- F. Handle - 3
- G. Lock Catch - 2
- H. Shelf Pin - 4
- I. Drawer Glide Pair - 2
- J. Handle Screw - 6
- K. Wood Screw - 6
- L. Lock Catch Screw - 4
- M. Bolt, Washer and Nut - 16
- N. Pop-up Bracket Pair - 2
- O. Caster Pack (2 w/ Brake & 2 w/o Brake)
- P. Grommet

Tools Required:

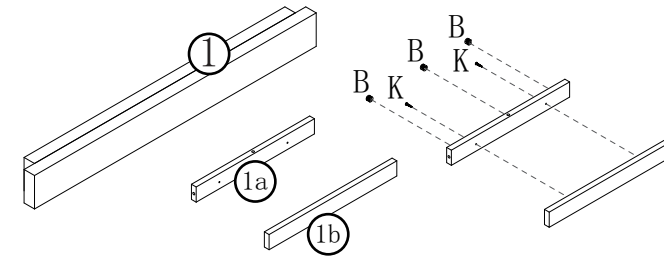
Phillips Screw Driver



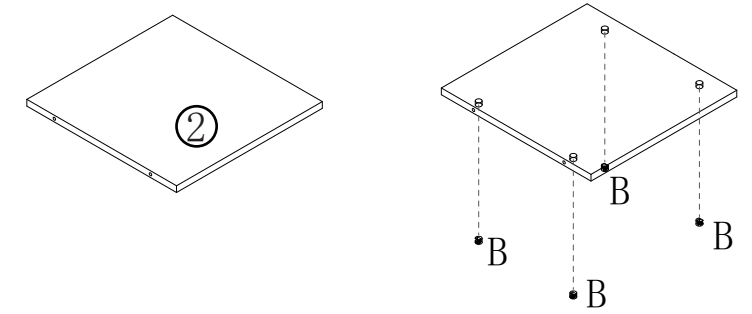
Step 3: Insert 9 cams (B) into panel 3. Insert grommet (P) into hole on the back side of the panel. Panel 3 will be used in step 11.



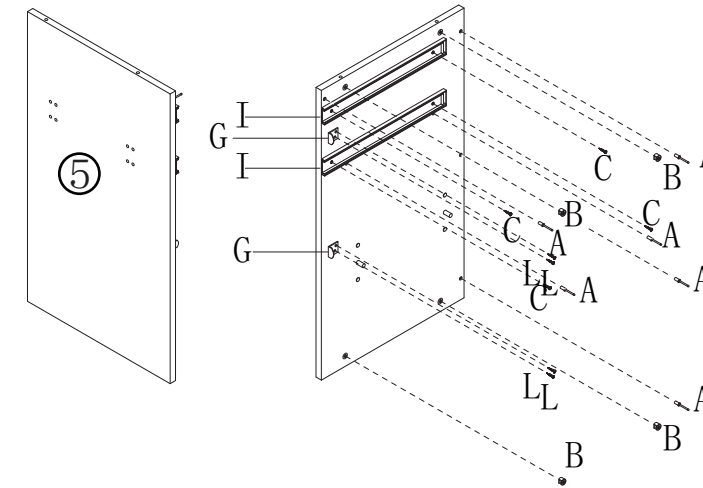
Step 4: Attach drawer glides (I) to panel 4 with 2 screws (L) per glide. Install door hinges (D) with 4 screws (C) per hinge. Install 6 metal dowels (A), and 4 cams (B). Panel 4 will be used in step 11.



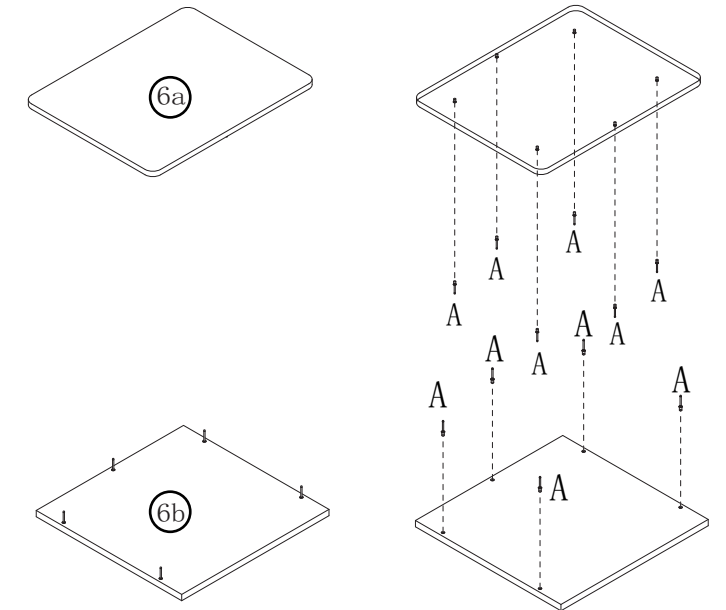
Step 1: Attach Panel 1a to Panel 1b using 2 screws (K). Insert 3 cams (B). Panel 1 will be used in step 11.



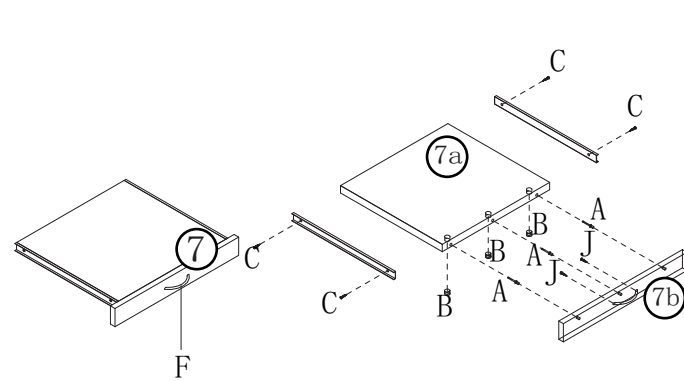
Step 2: Install 4 cams (B) into Panel 2. Panel 2 will be used in step 11.



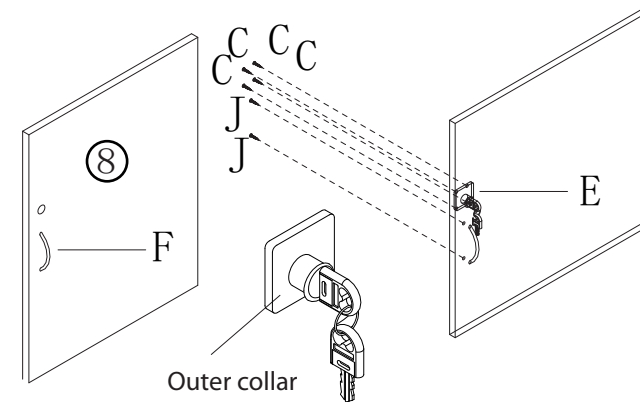
Step 5: Attach drawer glides (I) to panel 5 with 2 screws (C) per glide. Install lock catch (G) with 2 screws (L). Install 6 metal dowels (A), and 4 cams (B). Panel 5 will be used in step 11.



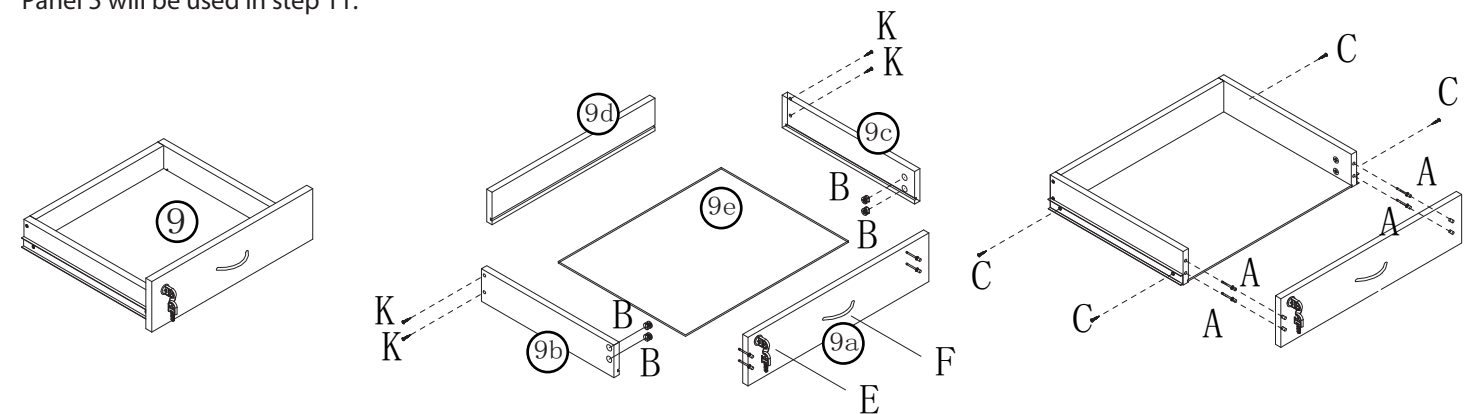
Step 6: Install 5 metal dowels (A) into panel 6a, and 5 metal dowels (A) into panel 6b. Panel 6a and 6b will be used in step 12.



Step 7: Remove inner glides from drawer glides by pressing on the clips. Install the inner glides to panel 9 with 2 screws (C) per glide. Install the handle (F) with 2 handle screws (J). Insert 3 metal dowels (A) into panel 7a. Insert 3 cams (B) into panel 7b. Attach panel 7a to panel 7b, and turn the cams with a Phillips screw driver to lock panels together. Panel 7 will be used in step 15.

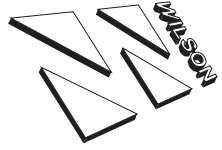


Step 8: Remove the outer collar from the lock assembly (E), and insert it into the front of panel 8. Insert the lock assembly into the back of panel 11, and attach with 4 screws (C). Install the handle (F) with 2 handle screws (J). Panel 8 will be used in step 13.



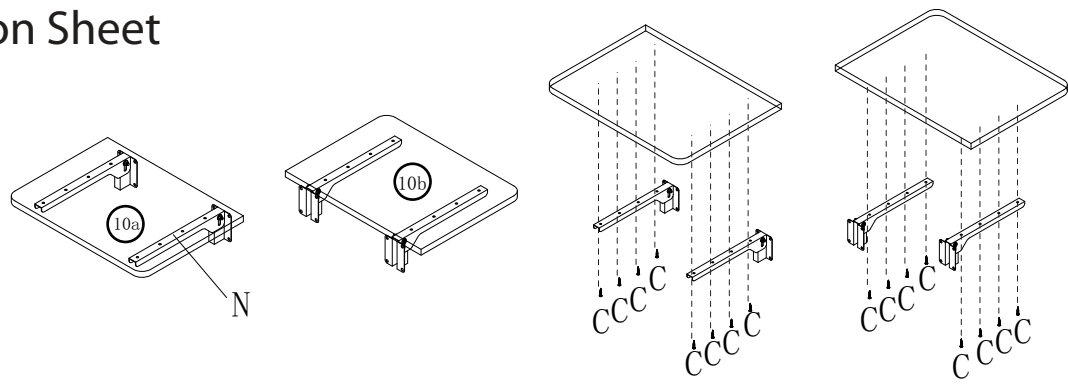
Step 9: Remove the outer collar from the lock assembly (E), and insert it into the front of panel 9a. Insert the lock assembly into the back of panel 9a, and attach with 4 screws (C). Install the handle (F) with 2 handle screws (J). Insert 4 metal dowels (A) into panel 9a. Insert 2 cams (B) into panel 9b and panel 9c. Place panel 9e into the groves of panel 9a, panel 9b, panel 9c and panel 9d. Tighten cams with Phillips screw driver and attach panel 9b and 9c to panel 9d with 2 screws (K) per side. Attach inner glides to drawer box with 2 screws (C) per side. Panel 9 will be used in step 16.

WPSDD3 Instruction Sheet

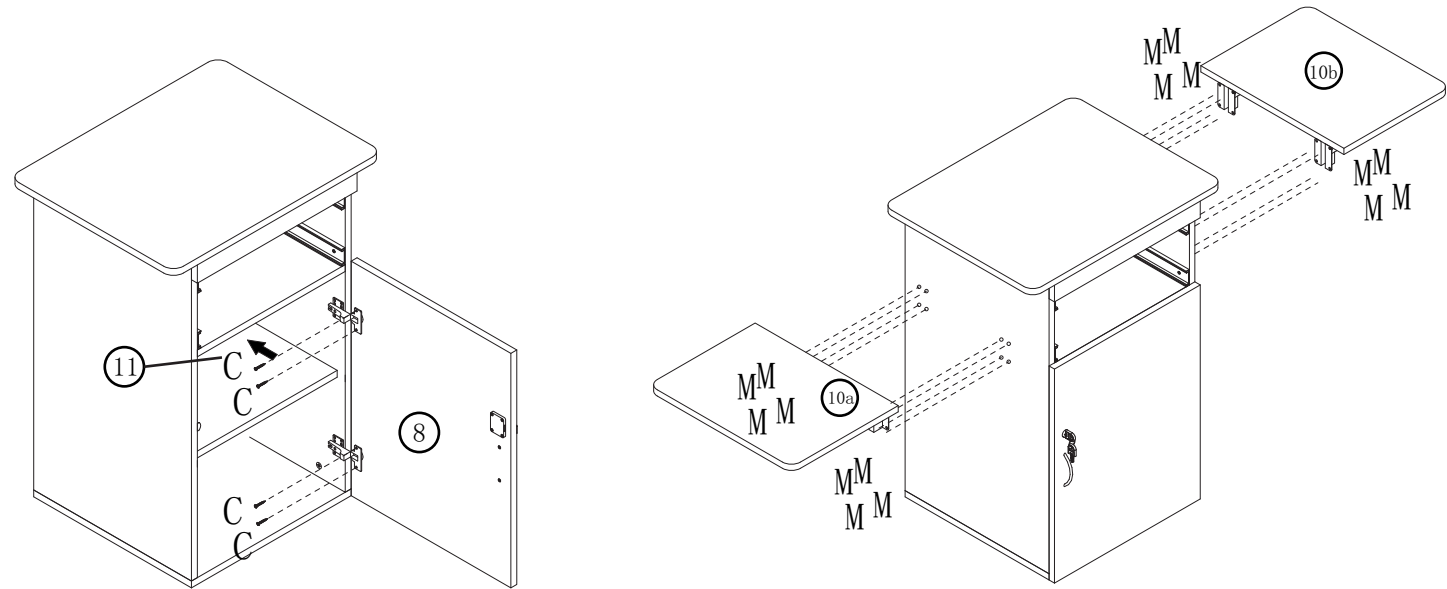


H. Wilson Company
 Address: 2245 Delany Rd.
 Waukegan, IL
 Phone: 800.245.7224
 Fax: 800.245.8224
 Email: sales@hwilson.com
 web: www.hwilson.com

APRIL 2010 - REV00



Step 10: Attach shelf brackets (N) to panel 10a and panel 10b with 4 screws (C) per bracket. Panels 10a and 10b will be used in step 14.

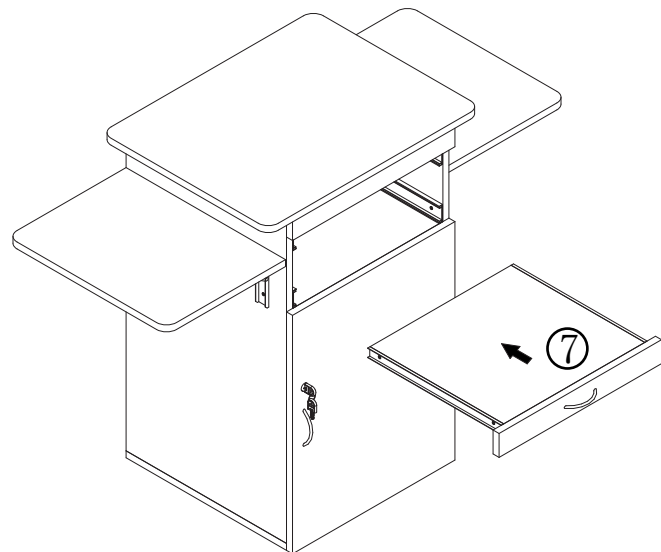


Step 11: Attach Panels 1, 2, 3, 4 and 5 together. Using a Phillips screw driver turn the cams to lock the panels together.

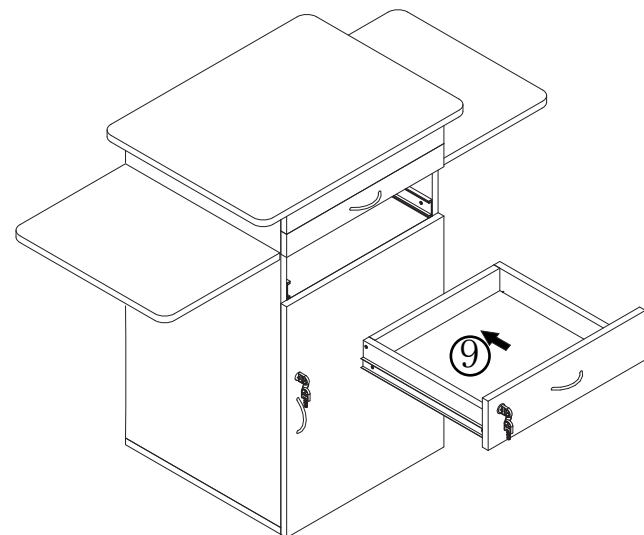
Step 12: Attach Panels 6a and 6b to the main unit. Using a Phillips screw driver turn the cams to lock the panels together.

Step 13: Insert the 4 shelf pins (H). Insert the shelf (panel 11). Attach the door (panel 8) to the main unit with 2 screws (C) per hinge.

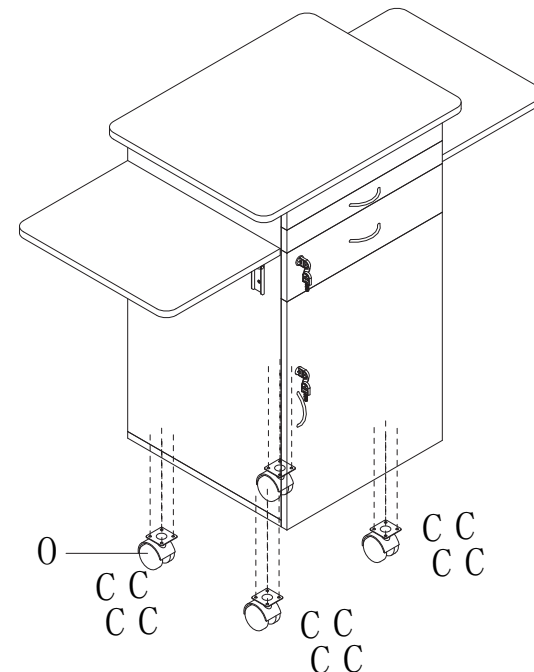
Step 14: Attach the pop-up shelves (panels 10a and 10b) to the main unit with 4 bolts, 8 washers and 4 nuts (M) per hinge.



Step 15: Insert the pull-out shelf (7) in the main unit.



Step 16: Insert the drawer (9) into the main unit.



Step 17: Attach the casters (O) to the main unit with 4 screws (C) per caster.

