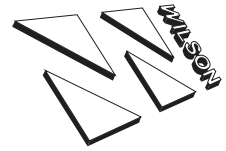


WPVC65E Instruction Sheet



H. Wilson Company
 Address: 2245 Delany Rd.
 Waukegan, IL
 Phone: 800.245.7224
 Fax: 800.245.8224
 Email: sales@hwilson.com
 web: www.hwilson.com

Part List:

Box 1:

- Panel 1. Vertical Divider
- Panel 2. Horizontal Divider - 2
- Panel 3. Back Panel
- Panel 4. Right Side Panel
- Panel 5. Left Side Panel
- Panel 8. Adjustable Shelves - 2
- Panel 9. Left Door Panel
- Panel 10. Right Door Panel
- Panel 11. Drawer Box

Box 2:

- Panel 6. Bottom Panel
- Panel 7. Top Panel

Box 3:

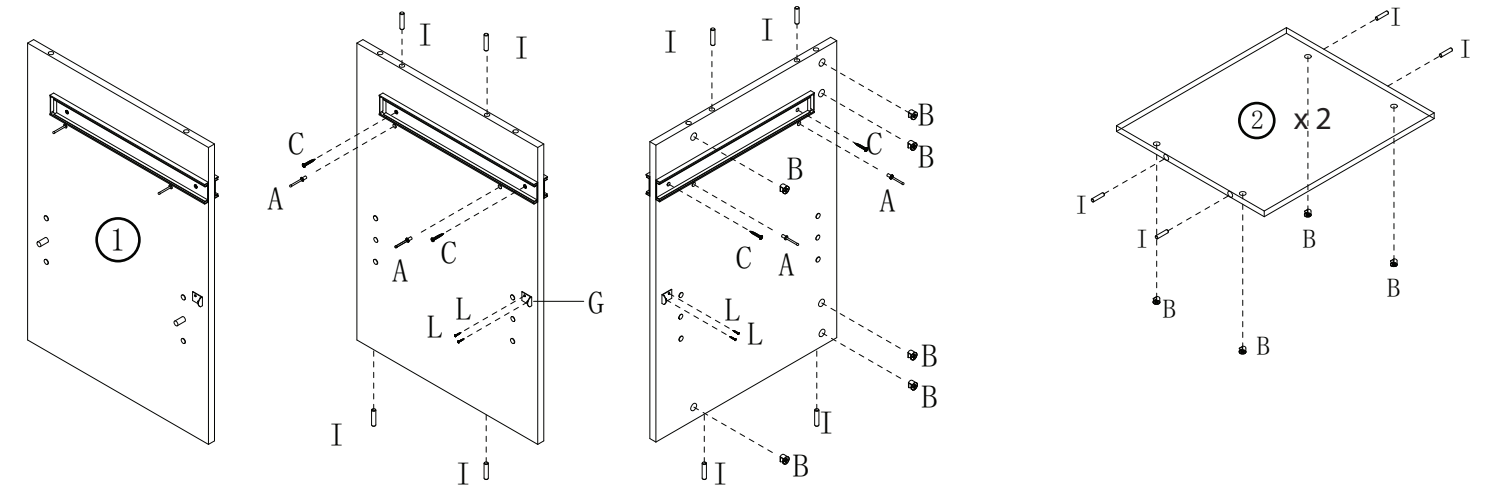
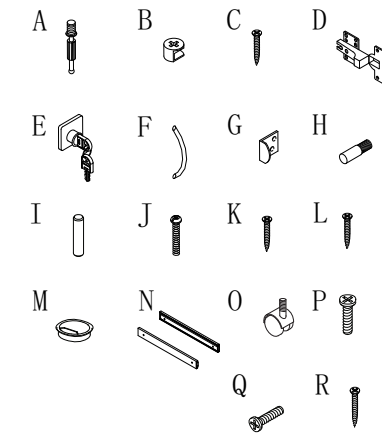
- 12. Metal Frame
- 13. Adjustable Tilt Brackets
- 14. Hardware -

Hardware:

- A. Metal Dowel - 36
- B. Cam - 36
- C. Wood Screw - 24
- D. Door Hinge - 4
- E. Lock and Key Pack - 4
- F. Handle - 4
- G. Lock Catch - 4
- H. Shelf Pin - 8
- I. Wooden Dowel Pin - 28
- J. M4x22 screw - 8
- K. M4X35 screw - 8
- L. M3x12 screw - 8
- M. Grommet - 2
- N. Drawer Glide Pair - 2
- O. Caster Pack (2 w/ Brake & 2 w/o Brake)
- P. M6x38 screw - 4
- Q. M8x55 screw - 2
- R. M4x20 screw - 16

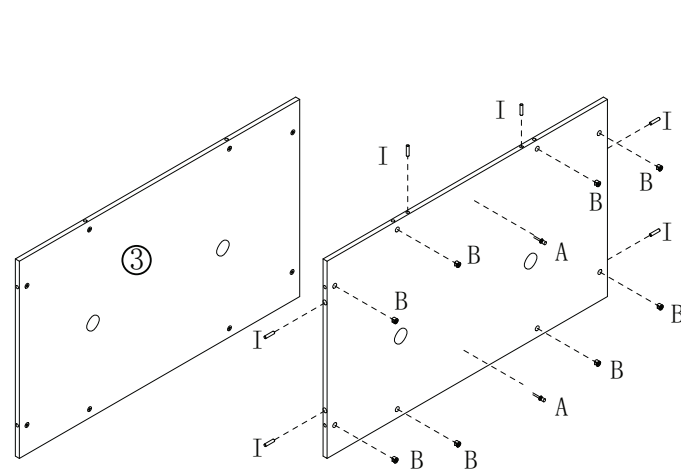
Tools Included:

- Caster Wrench
- Tools Required:
- Phillips Screw Driver

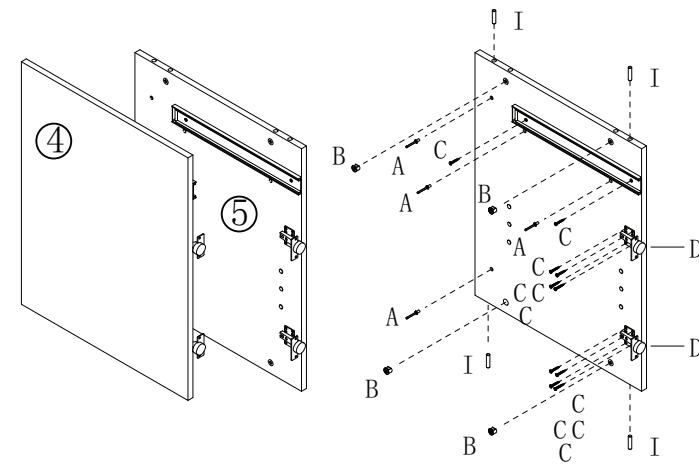


Step 1: Attach drawer glides (N) with 2 screws (C) per slide to panel 1. Insert 4 wooden dowels (I), 4 metal dowels (A) and 6 cams (B). Attach 2 lock catches (G) with 2 small screws (L) per catch.

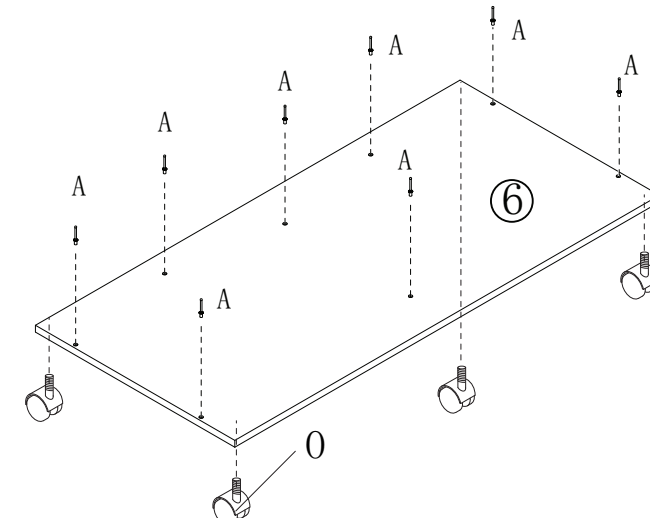
Step 2: Insert 4 cams (B) and 4 wooden dowels (I) each panel 2.



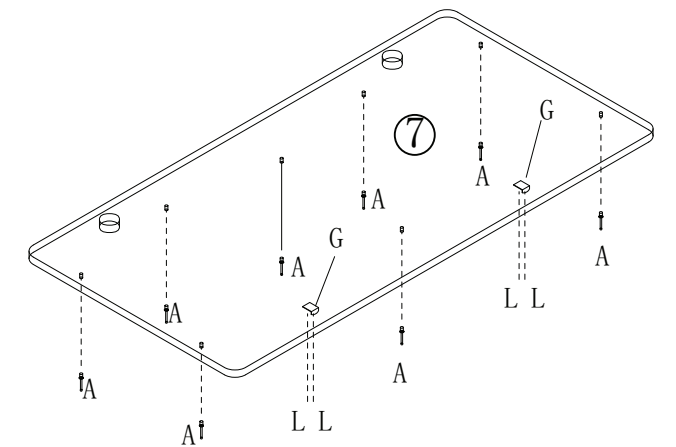
Step 3: Insert 2 metal dowels (A), 8 cams (B) and 6 wooden dowels (I) into panel 3.



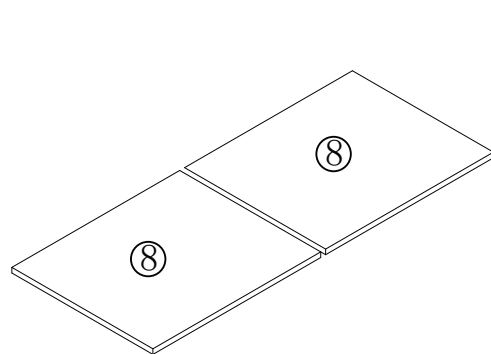
Step 4: Attach 1 drawer glide (N) with 2 screws (C) to both panel 4 and panel 5. Attach 2 hinges (D) with 4 screws (C) per panel. Insert 4 wooden dowels (I), 4 metal dowels (A) and 4 cams (B) per panel.



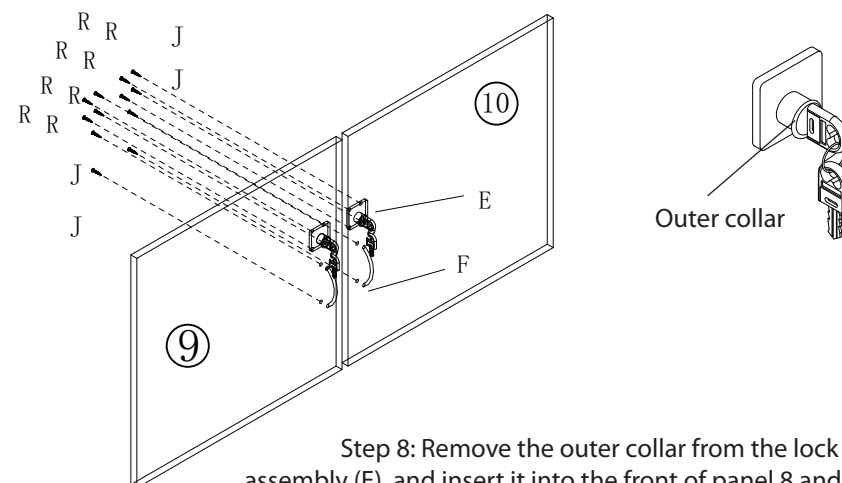
Step 5: Insert threaded casters into panel 6, and tighten down with the supplied wrench. Attach 8 metal dowels (A) to panel 6.



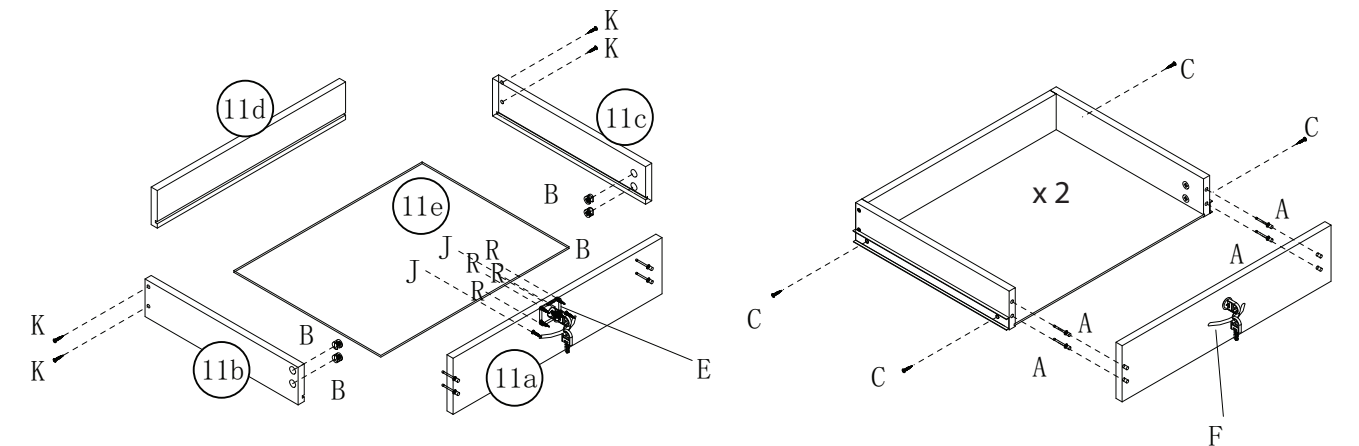
Step 6: Attach 8 metal dowels (A) to panel 7. Install 2 lock catches (G) with 2 small screws (L) per catch.



Step 7: Locate adjustable shelves (panel 8).

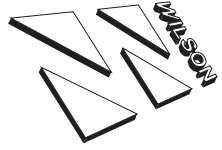


Step 8: Remove the outer collar from the lock assembly (E), and insert it into the front of panel 8 and panel 9. Insert the lock assembly into the back of the panel, and attach with 4 screws (R) per panel. Install the handle (F) with 2 handle screws (J) per panel.



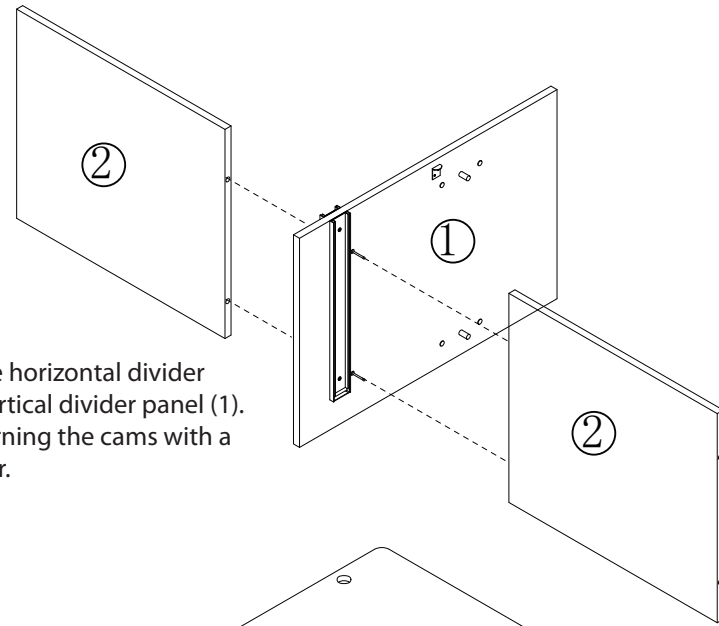
Step 9: Remove the outer collar from the lock assembly (E), and insert it into the front of panel 11a. Insert the lock assembly into the back of panel 11a, and attach with 4 screws (R). Install the handle (F) with 2 handle screws (J). Insert 4 metal dowels (A) into panel 11a. Insert 2 cams (B) into panel 11b and panel 11c. Place panel 11e into the groves of panel 11a, panel 11b, panel 11c and panel 11d. Tighten cams with Phillips screw driver and attach panel 9b and 9c to panel 9d with 2 screws (K) per side. Attach inner glides to drawer box with 2 screws (C) per side.

WPVC65E Instruction Sheet

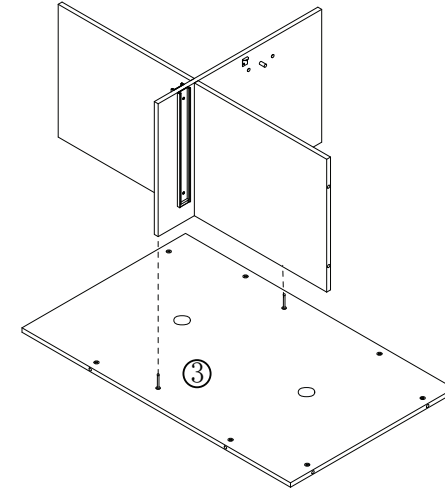


H. Wilson Company
 Address: 2245 Delany Rd.
 Waukegan, IL
 Phone: 800.245.7224
 Fax: 800.245.8224
 Email: sales@hwilson.com
 web: www.hwilson.com

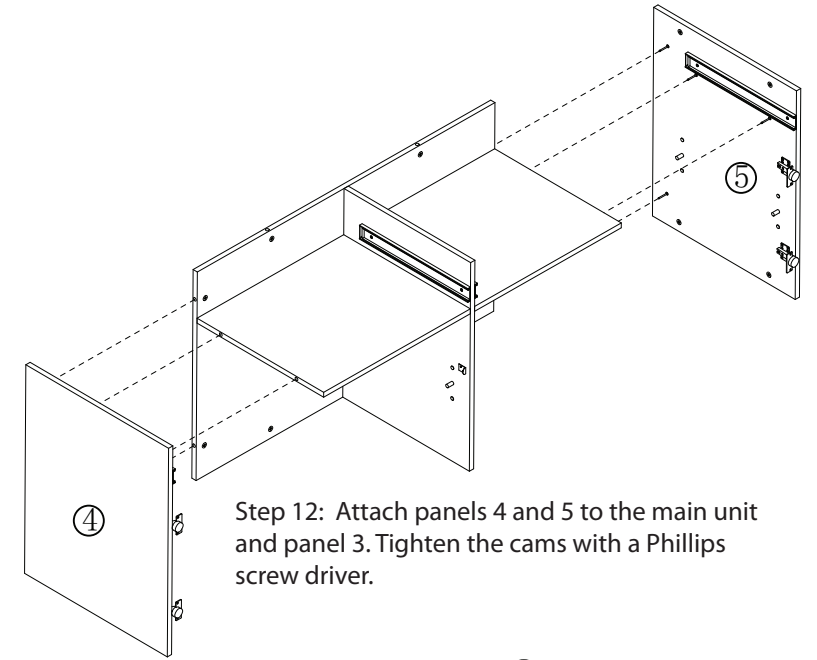
APRIL 2010 - REV01



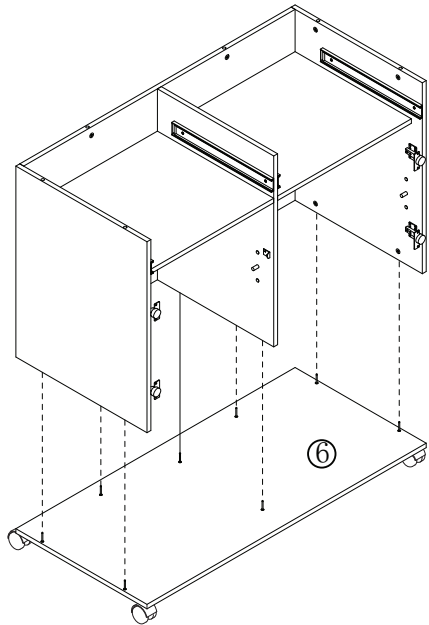
Step 10: Attach the horizontal divider panels (2) to the vertical divider panel (1). Lock in place by turning the cams with a Phillips screw driver.



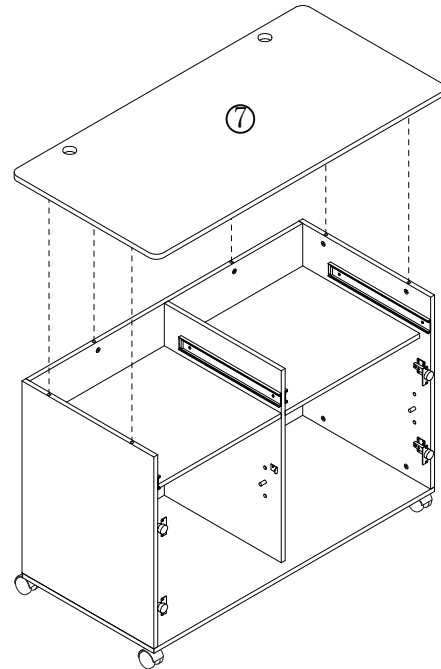
Step 11: Attach the back (panel 3) to the main unit, and tighten the cams with a Phillips screw driver.



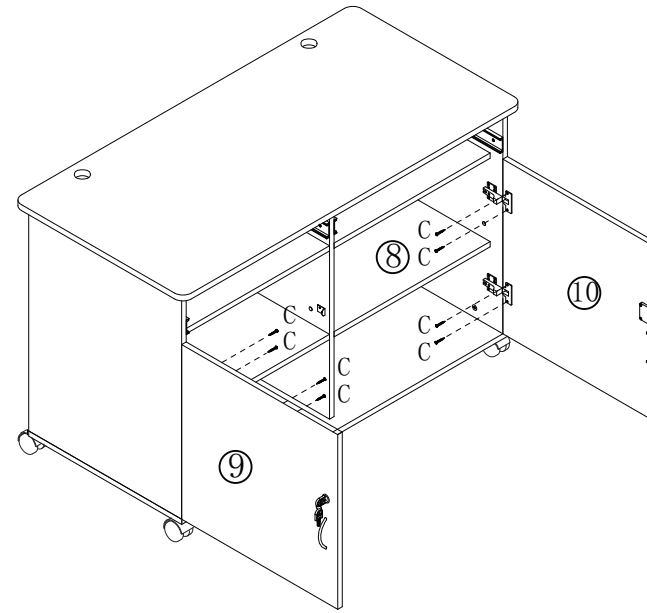
Step 12: Attach panels 4 and 5 to the main unit and panel 3. Tighten the cams with a Phillips screw driver.



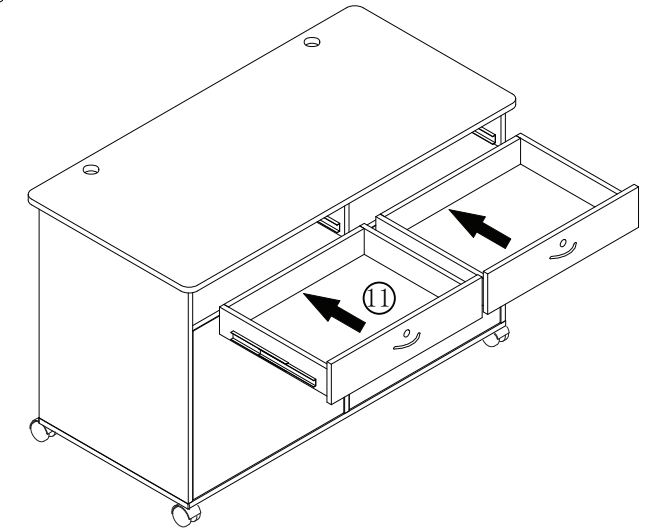
Step 13: **With 2 people**, attach the main unit to the base panel (panel 6). Tighten cams with a Phillips screw driver.



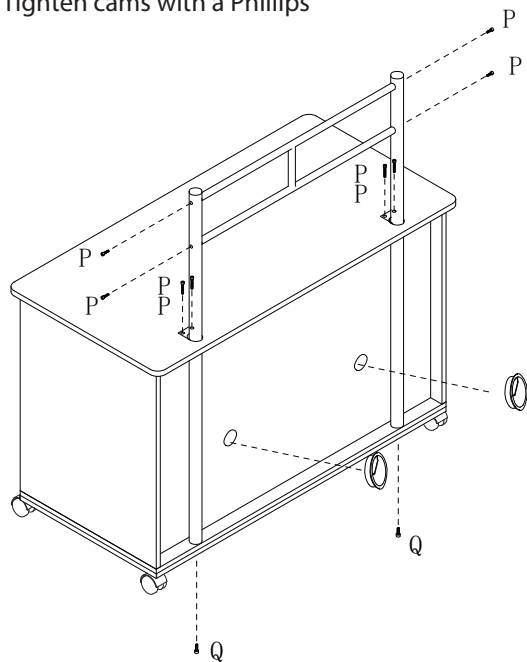
Step 14: Attach the top panel (panel 7), and tighten cams with Phillips screw driver.



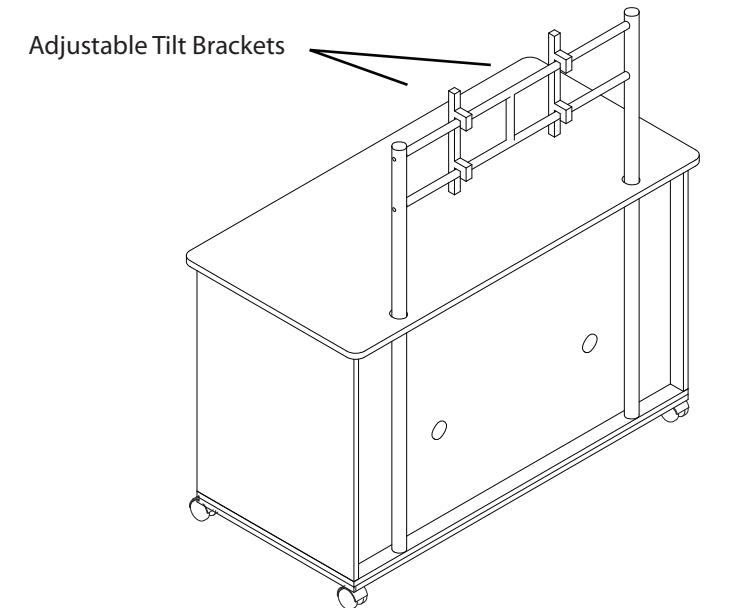
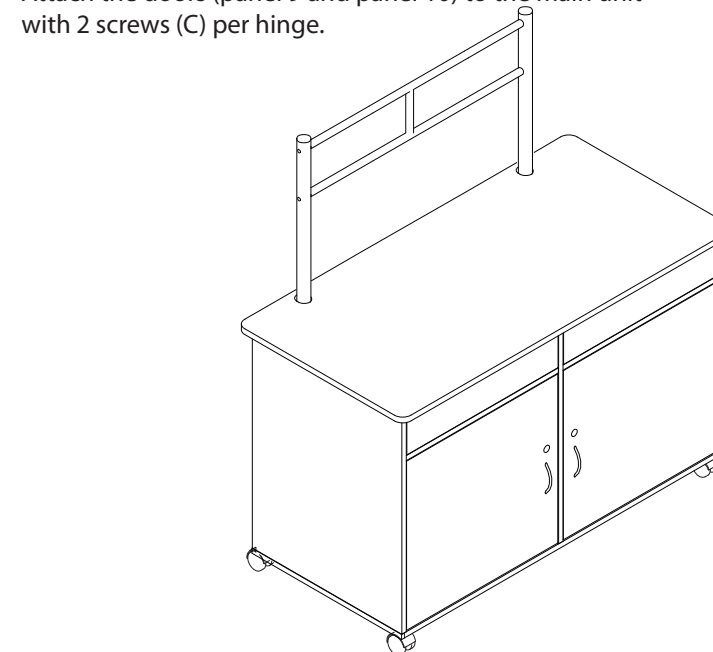
Step 15: Insert shelf pins (H) and place adjustable shelves into main unit. Attach the doors (panel 9 and panel 10) to the main unit with 2 screws (C) per hinge.



Step 16: Insert the drawers (11) into the main unit.



Step 17: Using 2 screws (P) per side assemble the metal frame (12). Insert the metal frame into the main unit, and secure it into place with 2 screws (P) per side on the top, and 1 screw (Q) per side on the bottom. Insert the cable grommets (M) into the back panel.



Adjustable Tilt Brackets