



H. Wilson Company
2245 Delany Road
Waukegan, IL 60087
Phone: 800-245-7224
www.hwilson.com
sales@hwilson.com

WTFS91 Flat Panel TV Stand



Parts List

- (3) Top Shelves - no handle (18" x 24")
- (3) Middle Shelves (18" x 24")
- (3) Bottom Shelves with caster sockets (18" x 24")
- (6) Sets of fluted legs (4 each set)
- (8) 4" Swivel Casters
- (1) Electrical Assembly (if ordered)
- Hardware pack

SHELF ATTACHMENT



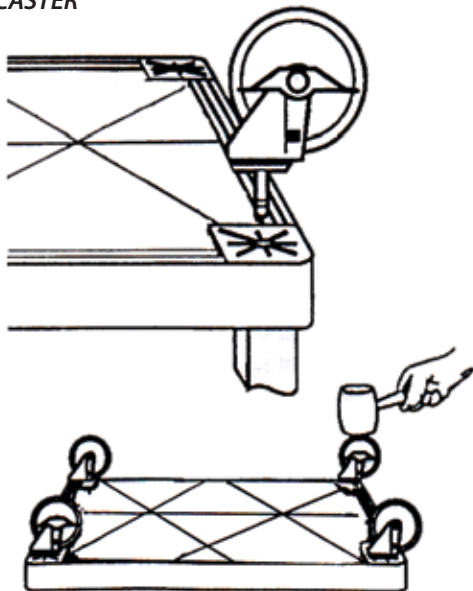
The shelves need to be bolted together as shown in photo.

1. Match up shelves. Bottom shelves have caster sleeves. Line up holes and bolt together with enclosed hardware. Middle shelves have leg bosses on both upper and lower parts of shelves. Center middle shelf has predrilled holes for the TV stand base. Line up holes and bolt together with enclosed hardware. Top 18" x 12" shelf has 2 bosses on the underside only. Center top shelf has predrilled holes for the TV stand base.

2. Turn bottom shelf set to expose caster sleeves. you have 8 casters. where the shelves are joined, place one non locking caster on one side and one on the other side of the join.

Tap remaining casters into place until fully seated.

CASTER



Required Tools
(not included)

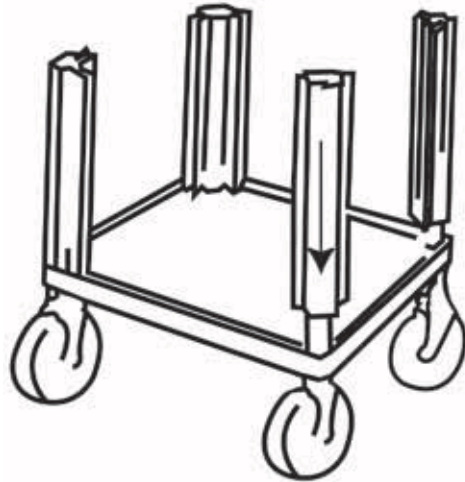


Rubber Mallet

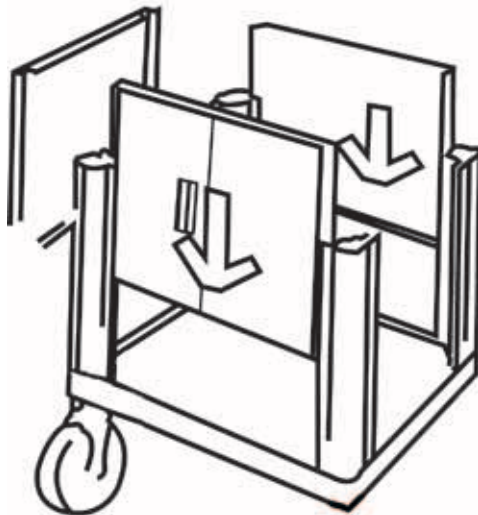


Optional: metal hammer with block of wood to cushion impact.

LEG (Onto Bottom OR Middle Shelf)

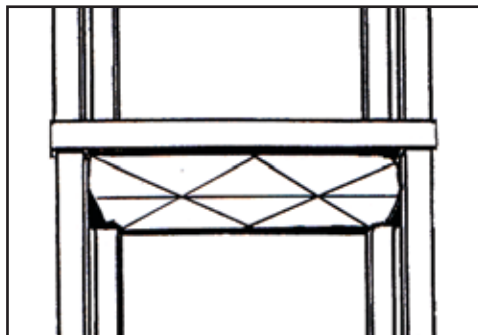


(Bottom) Turn over shelf (shelves).
(Any) Press fit legs over bosses. Gently tap with mallet if necessary.



Insert panels in your chosen configuration.

MIDDLE SHELF SET



Middle shelf set will have 24 bosses, 12 up & 12 down. Place the bosses on the underside (ribbed) into the top of the lower legs. Make sure you position the predrilled holes at the rear of the unit. Press fit first and tap with mallet if necessary.

Put base on middle shelf secure with bolts.

Press fit legs over all bosses. Gently tap with mallet if necessary.

Insert panels in your chosen configuration.

Place top shelf set onto the top of the legs, lining the predrilled holes up with the base on the middle shelf.

Put inlays on top shelves.

Place poles through the holes in the top shelf and seat in the uprights on the base that is on the middle shelf. Secure with bolts.

Place mounting bracket for Pedestal over pole ends at desired height. Secure with bolts.

Open box for WFST, Single Stud Plasma Mount, and take out the Large plate, Attach to Pedestal Mounting Bracket, by lining up the 4 holes and securing with (4) 5/16-18" bolts, washers and nuts.

Put mounting arms onto back of TV and secure with appropriate hardware (included with WFST mount).

Follow instructions included with WFST mount.

***** Final Step For all - Attach Electrical Assembly To
Molded Bracket As Shown In Packaged Instructions
If Ordered.**