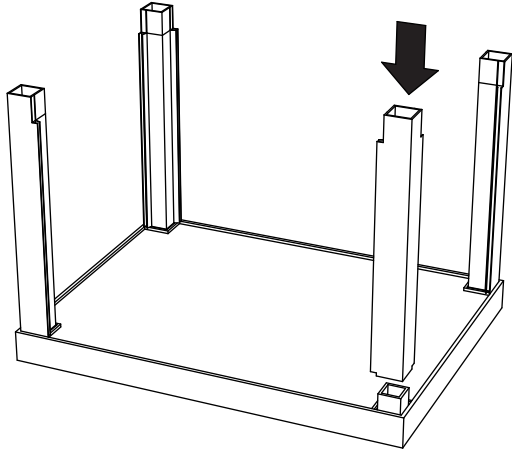


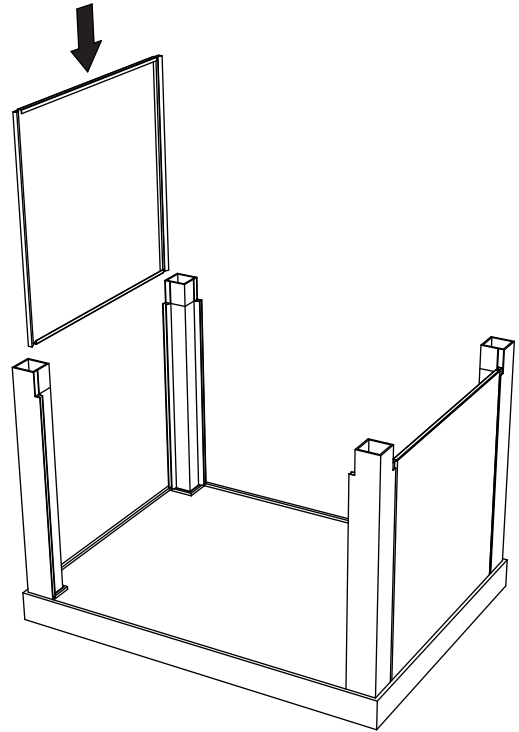
Cabinet Panel Assembly Instructions

1



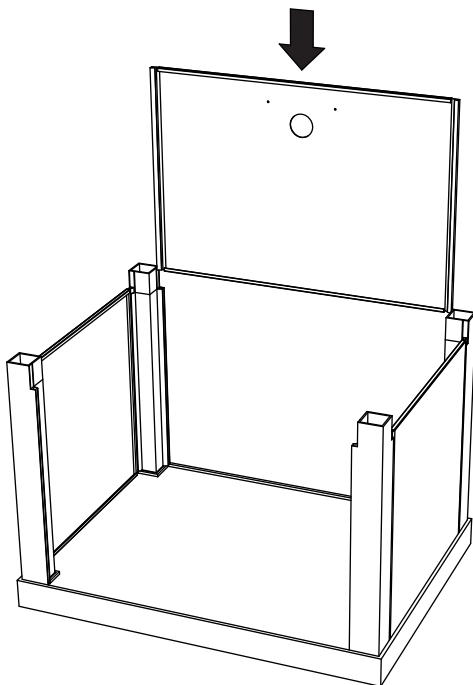
With flutes facing each other, insert fluted legs into the shelf per cart instructions. With a rubber mallet, tap the legs firmly into place.

2



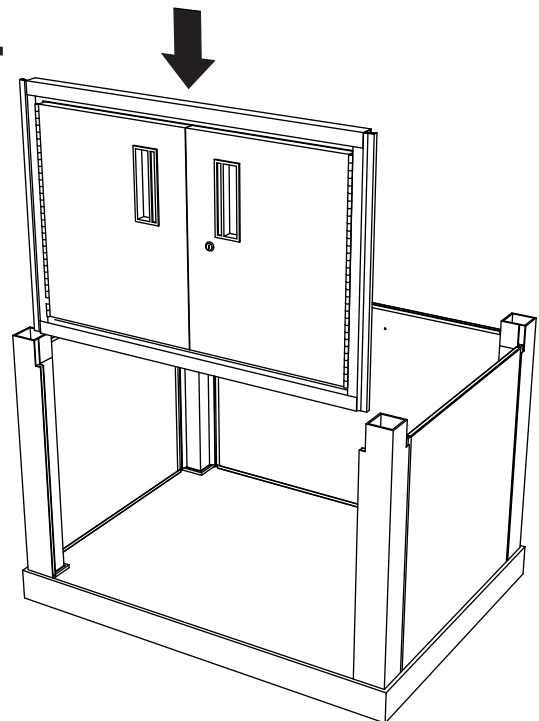
Insert the side panels.

3



Insert the back panel.
Note: Cable pass-through towards the top.

4



Insert the front panel.
Note: Lock towards the bottom.
Continue following your cart instructions.