

Instruction Sheet

Model - LEW29C

Customer Service Dept
Luxor
2245 Delany Rd
Waukegan, IL 60087
Ph: 847/244-1800 • 800/323-4656
Fax: 847/244-1818 • 800/327-1698



PARTS LIST:

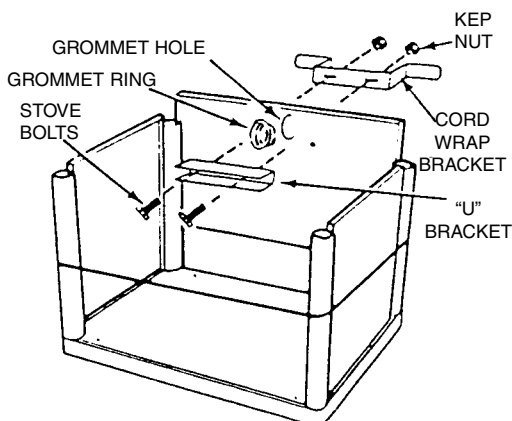
- 1 - Cabinet back panel
- 1 - Cabinet door
- 2 - Cabinet side panels
- 2 - Caster with brake
- 2 - Caster without brake
- 1 - Bottom shelf
- 1 - Top shelf
- 1 - Set of legs
- 1 - Set of keys
- 1 - Electric cord assembly
- 2 - Grommets

TOOLS NEEDED:

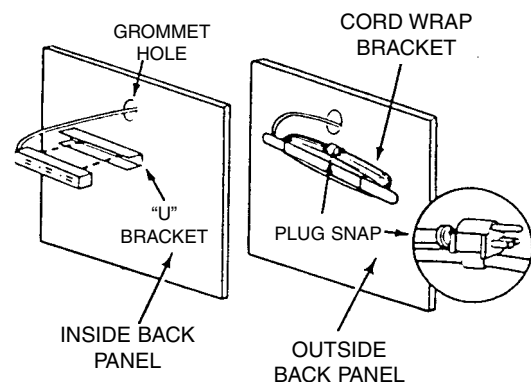
Rubber Mallet

1. Take the bottom shelf and insert casters.
2. Turn the bottom shelf onto the casters and insert the legs onto the shelf post.
3. Next install the cabinet back panel, the two side panels, and the door. (see instructions below for installing cabinet and electric assembly).
4. Then insert the top shelf leg post into the legs and tap with a rubber mallet until shelf is fully in.

Cabinet and Electric Assembly Instructions



Install the back panel in the same manner as side panels. Insert two stove bolts as illustrated through "U" bracket into back panel and through slots in cord wrap bracket. Align the cord wrap bracket onto stove bolts from the outside of back panel, and secure with two keps nuts.



Press 3-outlet power cord into "U" bracket and feed remaining cord through grommet hole and wrap remaining cord around cord wrap bracket. For safety and neat appearance, secure cord plug to cord with plug snap.



LUXOR