

WILSON TV MOUNT SYSTEMS

Congratulations!

You have selected an excellent Wilson product. The assembly instructions on the following pages should be carefully observed. Please note which model you have and refer to the Parts List to be sure you have all the necessary parts. Wilson TV mounts are carefully manufactured to serve your needs for many years to come.

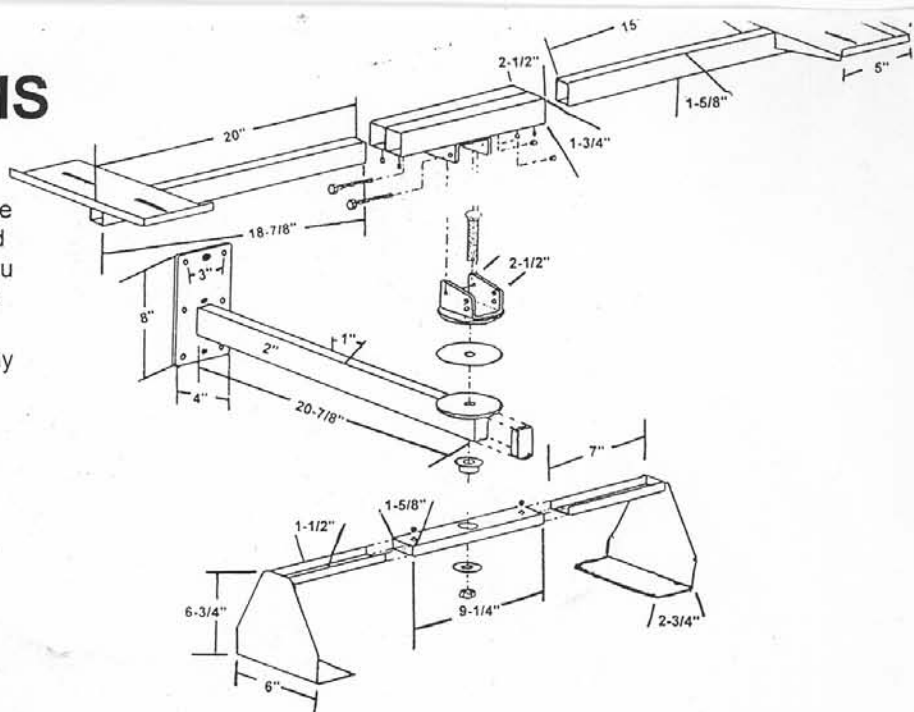
- * Easy to install
- * Heavy gauge steel assembly
- * Adjustable
- * Durable black powder coat finish
- * Expands to accept up to 25" Screen TV
- * Tilts forward 12 degrees
- * VCR bracket expands 14" to 21" wide

Parts List for WM13A

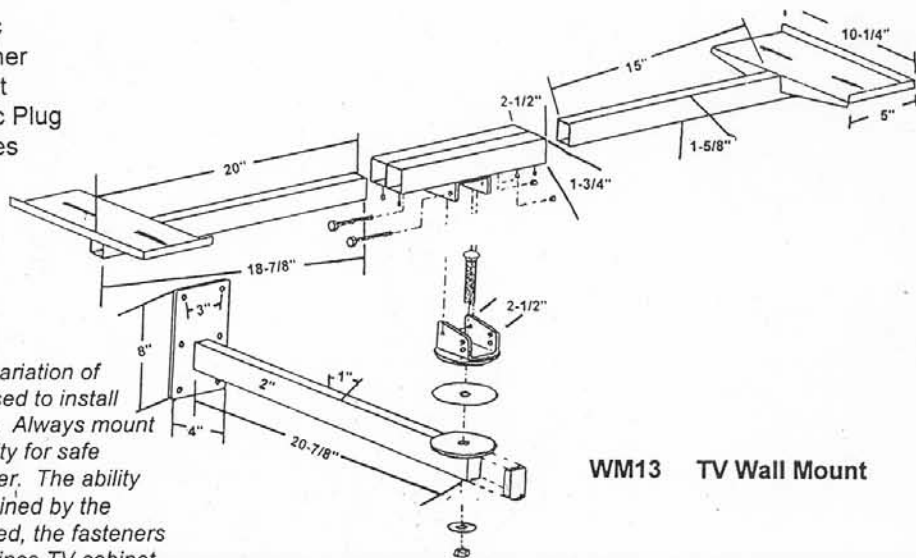
- (1) Wall Bracket
- (1) Center Support Bar
- (2) Side Support Bars
- (4) 1/4"-20 Set Screws
- (2) 5/8"-32 Set Screws
- (2) 1/4"-20 x 3-1/2" Bolts
- (2) 7/16" Lock Nuts
- (1) 3/4"-16 x 4" bolt
- (1) Tilt Base
- (1) 3" Plastic Disc
- (1) 1" Metal Washer
- (1) 9/16" Lock Nut
- (1) Square Plastic Plug
- (1) 1-1/4" nylon washer
- (2) VCR Side Supports
- (1) VCR Center Support
- (1) Set Scratch Retardant Strips
- (2) Allen Wrenches

Parts List for WM13

- (1) Wall Bracket
- (1) Center Support Bar
- (2) Side Support Bars
- (4) 1/4"-20 Set Screws
- (2) 1/4"-20 x 3-1/2" Bolts
- (2) 7/16" Lock Nuts
- (1) 3/4"-16 x 4" bolt
- (1) Tilt Base
- (1) 3" Plastic Disc
- (1) 1" Metal Washer
- (1) 9/16" Lock Nut
- (1) Square Plastic Plug
- (2) Allen Wrenches



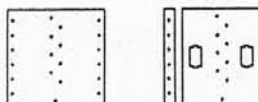
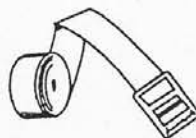
WM13A Wall Mount with VCR Bracket



WM13 TV Wall Mount

PLEASE NOTE BEFORE INSTALLING: Due to the variation of surface requirements and building codes, hardware used to install these mounts to wall must be supplied by the installer. Always mount to a structural member; concrete or stud. Responsibility for safe installation of Wilson TV Wall Mounts rests with installer. The ability for mount to support its intended weight will be determined by the integrity of the surface to which the mounts are attached, the fasteners used and the overall quality of the installation. Also, since TV cabinet construction varies, the installer must determine the most appropriate method of securing the TV cabinet to the TV wall mount. H. Wilson Company does not bear responsibility for installation. Installation should be made by qualified professional installer. Additionally, H. Wilson Co. cannot and does not bear any form of responsibility for misuse which includes people attempting to support themselves from the installed mount.

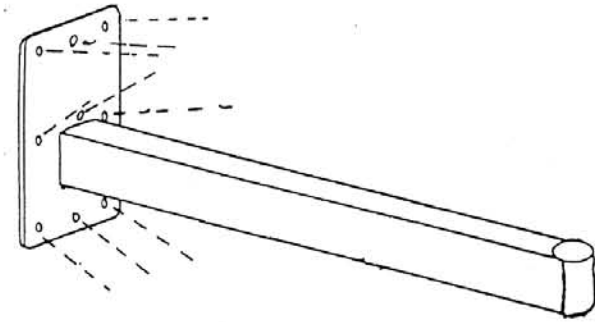
For additional assurance, the use of a Wilson Equipment Security Strap is recommended. Interior and Exterior mounting plates are also available. These optional products may be purchased from your local Wilson dealer.



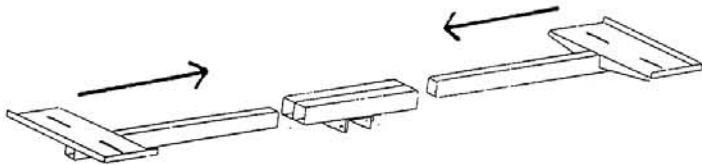
H. Wilson Co.
555 West Toff Drive
South Holland, IL 60473
Toll-Free Fax 800-245-8224
Toll-Free Phone 800-245-7224

Installation of WM13 Wall Mount

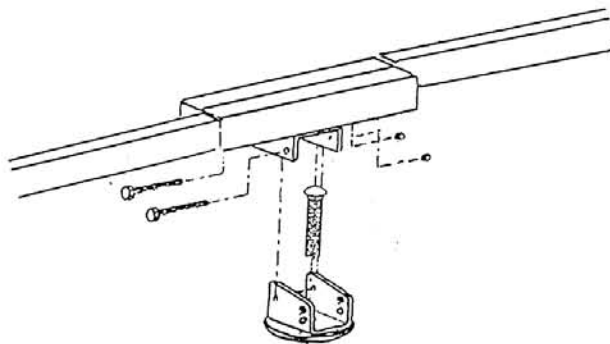
1. Review **PLEASE NOTE BEFORE INSTALLING** paragraph found on page 1. Using hardware supplied by the installer, fasten wall bracket to wall in a secure manner. Longest part of mounting plate should be on top. **IMPORTANT NOTE: External and internal mounting plates are available.**



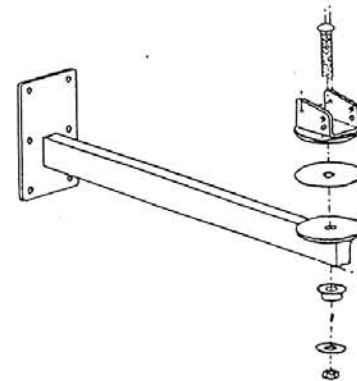
2. It is recommended that you identify the center of gravity of your TV. To do this, place a 2 x 4 length of lumber on a flat surface. Place TV on the 2 x 4 and move forward or backward until the TV balances securely on the board. (Most TV's are front heavy.) With strips of masking tape or other easily removable tape, mark center of gravity on both sides of TV. Measure for fit at these points. Measure width of TV chassis. Identify center support bar and two side support bars. Slide the side support bars into center support bar. Adjust so that the distance between is equal to the width of the chassis. **CAUTION: SUPPORT BRACKETS SHOULD NEVER BE EXTENDED BEYOND WIDTH LIMITS. MAXIMUM EXPANDED INTERIOR DIMENSION SHOULD NOT EXCEED 30".** Be sure that center support bar is centered equally between the side support bars. Secure together by inserting set screws into welded nuts found on the bottom of center support bar. Tighten set screws using appropriate Allen wrench.



3. Identify the tilt base. Insert 4" bolt through center of base as shown. Align holes found on side of tilt base with holes found on underside of center support bar. If TV is to be in a tilt position, align with lower holes. If TV is to be in straight forward position, align with upper holes. Insert 3-1/2" bolts and secure with 7/16" lock nuts.



4. Place 3" plastic disc on top of metal welded disc on wall mount. Put mount assembly on top of wall mount bracket, aligning 4" bolt through plastic and metal disc. From the bottom, slip metal washer over end of bolt and secure with lock nut.

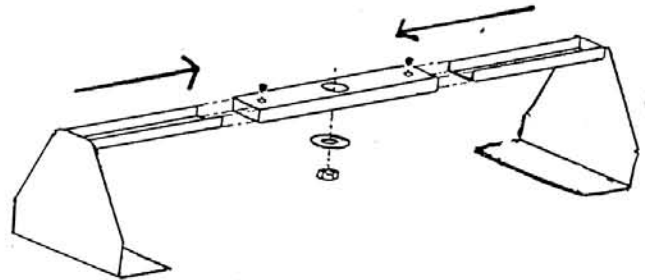


5. It is recommended that you have two or more people for this step, depending on size and weight of TV. Position TV into mount opening.

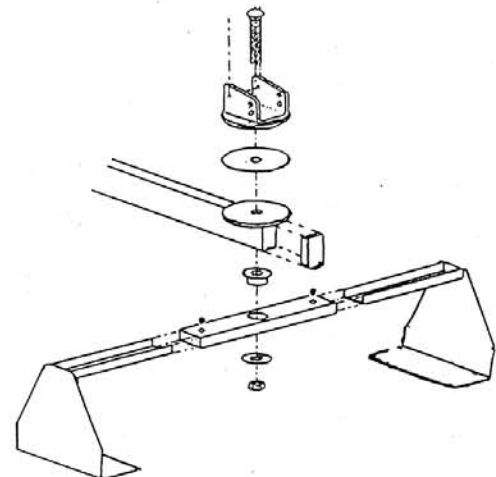
Installation of WM13A Wall Mount with VCR Bracket

Follow steps 1 through 3 for installation of WM13 Wall Mount.

4. Measure width of VCR chassis. Identify center support bar and two side support bars. Slide the side support bars into center support bar. Adjust so that the distance between is equal to the width of the chassis. Be sure that the center support bar is centered equally between the side support bars. **CAUTION: SUPPORT BRACKETS SHOULD NEVER BE EXTENDED BEYOND WIDTH LIMITS. MAXIMUM EXPANDED INTERIOR DIMENSION SHOULD NOT EXCEED 20"** Secure together by inserting set screws into welded nuts found on the top of center support bar. Tighten set screws using appropriate Allen wrench.



5. Place 3" plastic disc on top of metal welded disc on wall mount. Put mount assembly on top of wall mount bracket, aligning 4" bolt through plastic and metal disc then through VCR bracket. From the bottom, slip metal washer over end of bolt and secure with lock nut.



HOLES, HOLES, WHY ALL THE HOLES?

The Wilson television mount you have purchased has a universal wall or ceiling mounting plate. It is designed to offer maximum strength and holding power whether mounting to wood studs, concrete walls or ceilings, or concrete block walls.

Figure 1 indicates the recommended hole pattern to use for mounting into a wood joist structured wall. Three of the appropriate wood screws should be used and installed according to directions.

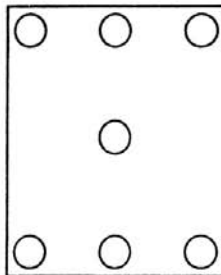
As Figure 2 indicates, when anchoring into solid concrete or concrete block, a minimum of 4, and up to 7, anchoring points should be used. Again, the manufacturer's installment and assembly instructions must be followed.

Included with each mount are sufficient hole caps that can be used to "dress" the holes not used.

It is extremely important that all of the manufacturer's directions are followed, to the letter, to help insure that these mounts are correctly installed.

Thanks,

THE H. WILSON COMPANY



H. Wilson universal television mounting plate showing all available holes.

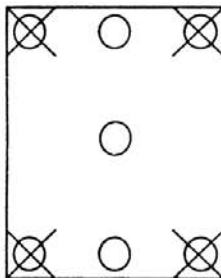


Figure 1. Hole pattern to be used for mounting onto wood joists. Use hole caps for holes marked with an "X".

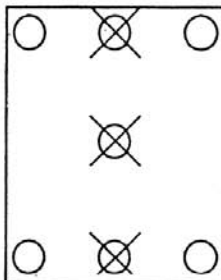


Figure 2. Hole pattern used for mounting onto concrete block. Use hole caps for holes marked with an "X".