

# WILSON TV MOUNT SYSTEMS

## Congratulations!

You have selected an excellent Wilson product. The assembly instructions on the following pages should be carefully observed. Please note which model you have and refer to the Parts List to be sure you have all the necessary parts. Wilson TV mounts are carefully manufactured to serve your needs for many years to come.

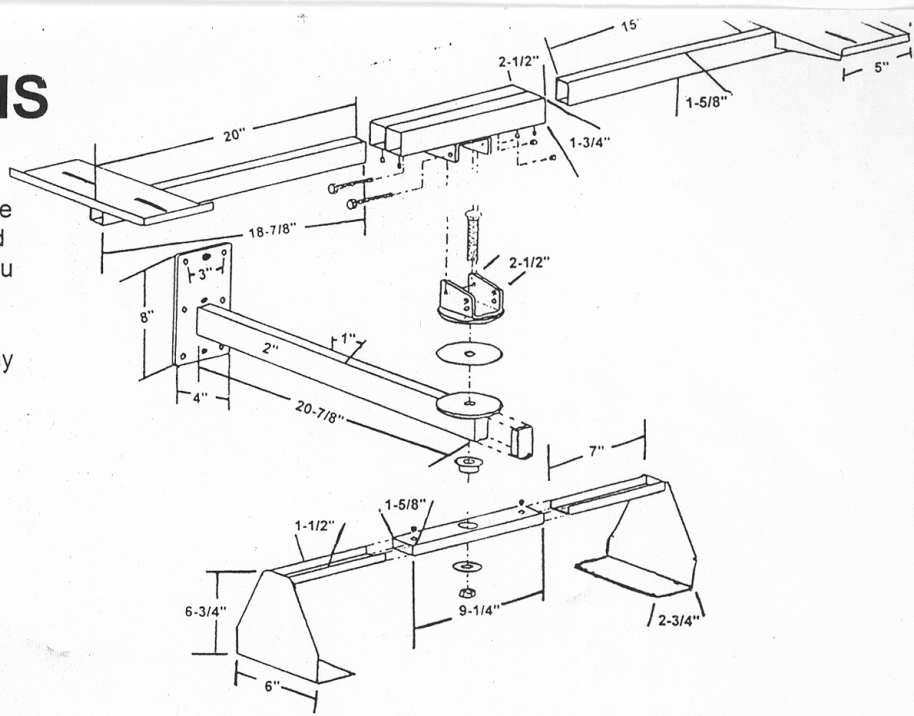
- \* Easy to install
- \* Heavy gauge steel assembly
- \* Adjustable
- \* Durable black powder coat finish
- \* Expands to accept up to 25" Screen TV
- \* Tilts forward 12 degrees
- \* VCR bracket expands 14" to 21" wide

### Parts List for WM13A

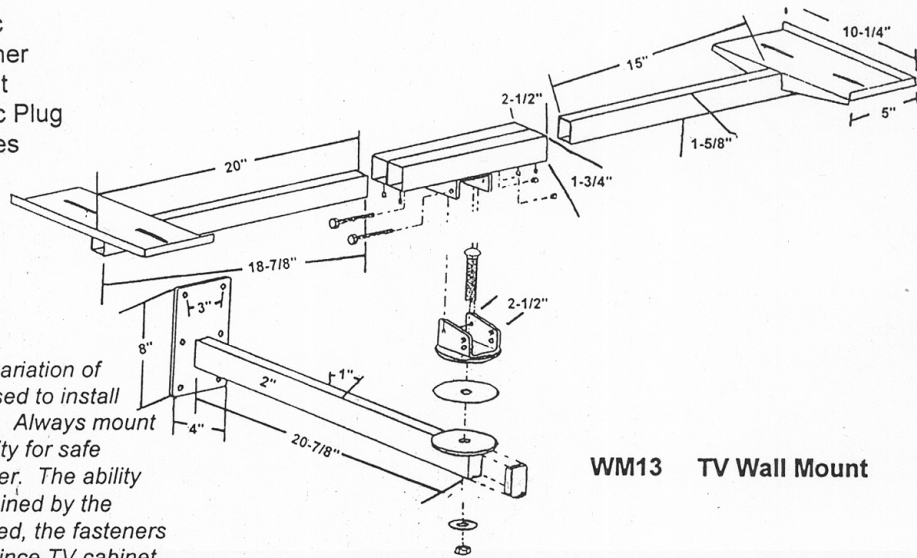
- (1) Wall Bracket
- (1) Center Support Bar
- (2) Side Support Bars
- (4) 1/4"-20 Set Screws
- (2) 5/8"-32 Set Screws
- (2) 1/4"-20 x 3-1/2" Bolts
- (2) 7/16" Lock Nuts
- (1) 3/4"-16 x 4" bolt
- (1) Tilt Base
- (1) 3" Plastic Disc
- (1) 1" Metal Washer
- (1) 9/16" Lock Nut
- (1) Square Plastic Plug
- (1) 1-1/4" nylon washer
- (2) VCR Side Supports
- (1) VCR Center Support
- (1) Set Scratch Retardant Strips
- (2) Allen Wrenches

### Parts List for WM13

- (1) Wall Bracket
- (1) Center Support Bar
- (2) Side Support Bars
- (4) 1/4"-20 Set Screws
- (2) 1/4"-20 x 3-1/2" Bolts
- (2) 7/16" Lock Nuts
- (1) 3/4"-16 x 4" bolt
- (1) Tilt Base
- (1) 3" Plastic Disc
- (1) 1" Metal Washer
- (1) 9/16" Lock Nut
- (1) Square Plastic Plug
- (2) Allen Wrenches



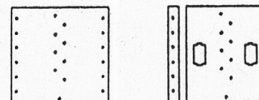
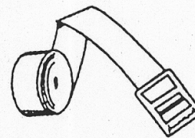
**WM13A Wall Mount with VCR Bracket**



**WM13 TV Wall Mount**

**PLEASE NOTE BEFORE INSTALLING:** Due to the variation of surface requirements and building codes, hardware used to install these mounts to wall must be supplied by the installer. Always mount to a structural member; concrete or stud. Responsibility for safe installation of Wilson TV Wall Mounts rests with installer. The ability for mount to support its intended weight will be determined by the integrity of the surface to which the mounts are attached, the fasteners used and the overall quality of the installation. Also, since TV cabinet construction varies, the installer must determine the most appropriate method of securing the TV cabinet to the TV wall mount. H. Wilson Company does not bear responsibility for installation. Installation should be made by qualified professional installer. Additionally, H. Wilson Co. cannot and does not bear any form of responsibility for misuse which includes people attempting to support themselves from the installed mount.

For additional assurance, the use of a Wilson Equipment Security Strap is recommended. Interior and Exterior mounting plates are also available. These optional products may be purchased from your local Wilson dealer.



H. Wilson Co.  
555 West Toff Drive  
South Holland, IL 60473  
Toll-Free Fax 800-245-8224  
Toll-Free Phone 800-245-7224