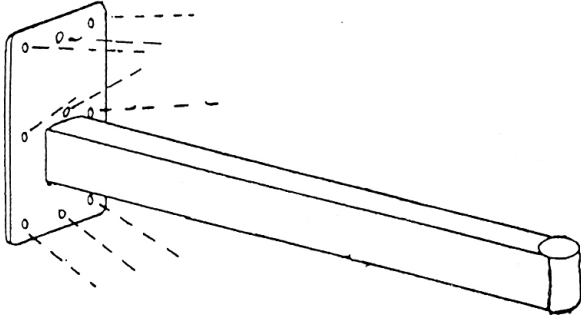
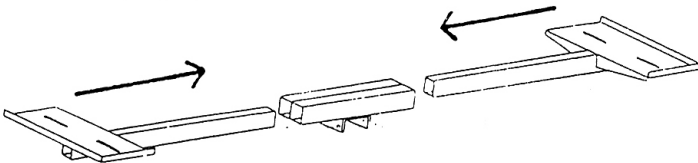


Installation of WM13 Wall Mount

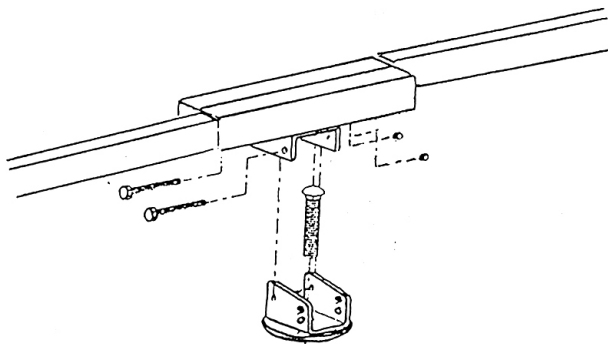
1. Review **PLEASE NOTE BEFORE INSTALLING** paragraph found on page 1. Using hardware supplied by the installer, fasten wall bracket to wall in a secure manner. Longest part of mounting plate should be on top. **IMPORTANT NOTE: External and internal mounting plates are available.**



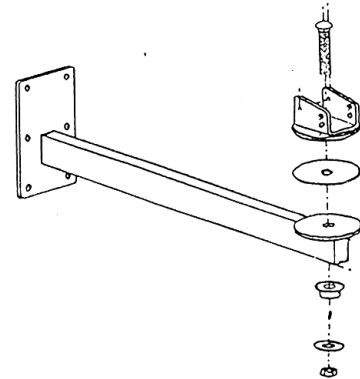
2. It is recommended that you identify the center of gravity of your TV. To do this, place a 2 x 4 length of lumber on a flat surface. Place TV on the 2 x 4 and move forward or backward until the TV balances securely on the board. (Most TV's are front heavy.) With strips of masking tape or other easily removable tape, mark center of gravity on both sides of TV. Measure for fit at these points. Measure width of TV chassis. Identify center support bar and two side support bars. Slide the side support bars into center support bar. Adjust so that the distance between is equal to the width of the chassis. **CAUTION: SUPPORT BRACKETS SHOULD NEVER BE EXTENDED BEYOND WIDTH LIMITS. MAXIMUM EXPANDED INTERIOR DIMENSION SHOULD NOT EXCEED 30".** Be sure that center support bar is centered equally between the side support bars. Secure together by inserting set screws into welded nuts found on the bottom of center support bar. Tighten set screws using appropriate Allen wrench.



3. Identify the tilt base. Insert 4" bolt through center of base as shown. Align holes found on side of tilt base with holes found on underside of center support bar. If TV is to be in a tilt position, align with lower holes. If TV is to be in straight forward position, align with upper holes. Insert 3-1/2" bolts and secure with 7/16" lock nuts.



4. Place 3" plastic disc on top of metal welded disc on wall mount. Put mount assembly on top of wall mount bracket, aligning 4" bolt through plastic and metal disc. From the bottom, slip metal washer over end of bolt and secure with lock nut.

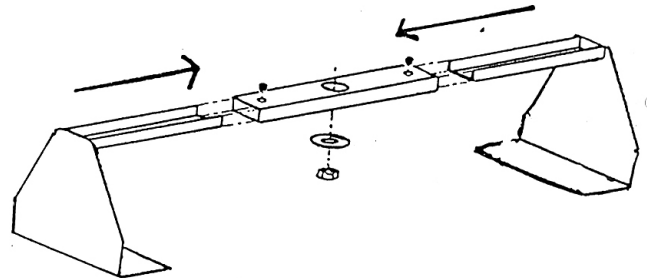


5. It is recommended that you have two or more people for this step, depending on size and weight of TV. Position TV into mount opening.

Installation of WM13A Wall Mount with VCR Bracket

Follow steps 1 through 3 for installation of WM13 Wall Mount.

4. Measure width of VCR chassis. Identify center support bar and two side support bars. Slide the side support bars into center support bar. Adjust so that the distance between is equal to the width of the chassis. Be sure that the center support bar is centered equally between the side support bars. **CAUTION: SUPPORT BRACKETS SHOULD NEVER BE EXTENDED BEYOND WIDTH LIMITS. MAXIMUM EXPANDED INTERIOR DIMENSION SHOULD NOT EXCEED 20"** Secure together by inserting set screws into welded nuts found on the top of center support bar. Tighten set screws using appropriate Allen wrench.



5. Place 3" plastic disc on top of metal welded disc on wall mount. Put mount assembly on top of wall mount bracket, aligning 4" bolt through plastic and metal disc then through VCR bracket. From the bottom, slip metal washer over end of bolt and secure with lock nut.

