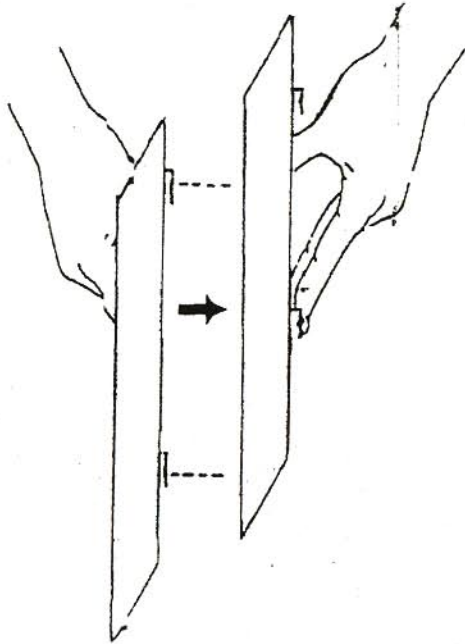
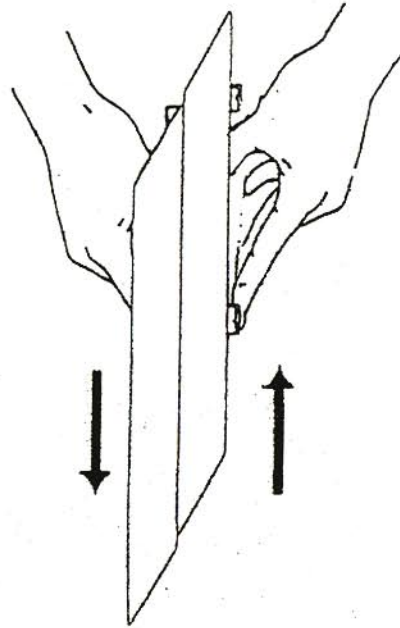


MAGAZINE RACK POCKET ASSEMBLY

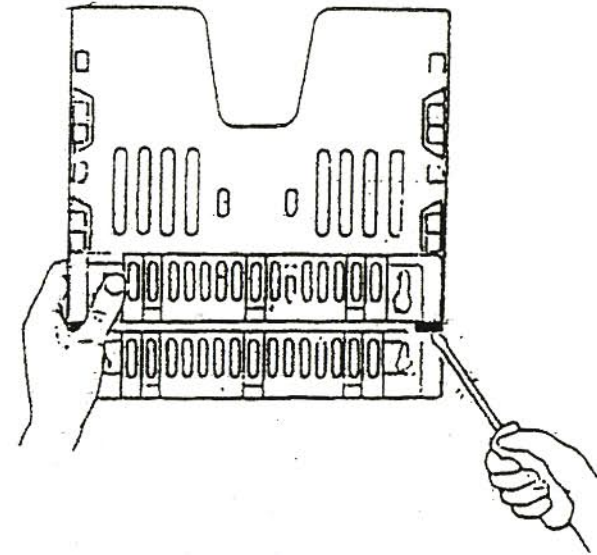
1. Align Clips With Holes



2.



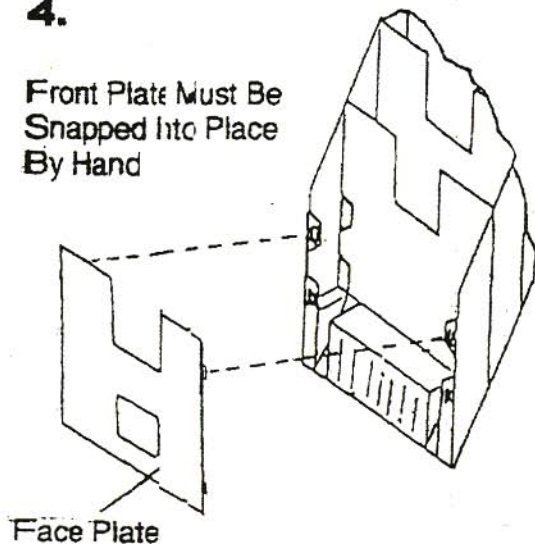
3.



Use a Screwdriver To "Snap"
Parts Together

4.

Front Plate Must Be
Snapped Into Place
By Hand



1. Using diagrams as a reference, put two pockets together by inserting clips on the backside of one pocket into holes on the frontside of the other pocket.
2. Push pockets in opposite directions to join the parts.
3. Look at back of pockets. On each end there will be a small gap. Insert a screwdriver into this gap and twist screwdriver until you hear the parts "snap" together.
4. Following the above three steps continue to snap parts together. Front plate must be snapped into place by hand.