



H. Wilson Company
PO Box 290
Waukegan, IL 60079
Phone: 800-245-7224
Fax: 800-245-8224
www.hwilson.com
sales@hwilson.com


WMZ20

WMZ27

WMZ32

TV Wall Mounts

WARNING: Please read **all** instructions **before starting assembly**.
Improper installation can result in **serious damage or injury**.
Check parts list to make sure that all necessary parts have
been include. Please call customer service at 800-245-7224 if you
are missing any parts

The  symbol indicates notes of caution which if neglected may
result in an unstable installation.

Recommended Tools for Installation and Assembly:

Small Regular Screwdriver	Stud Finder
Phillips Screwdriver	Level
7/16" Wrench	Tape Measure
Electric Drill	Hammer
Rubber Mallet	5/32" Drill Bit
Long Nose Pliers	

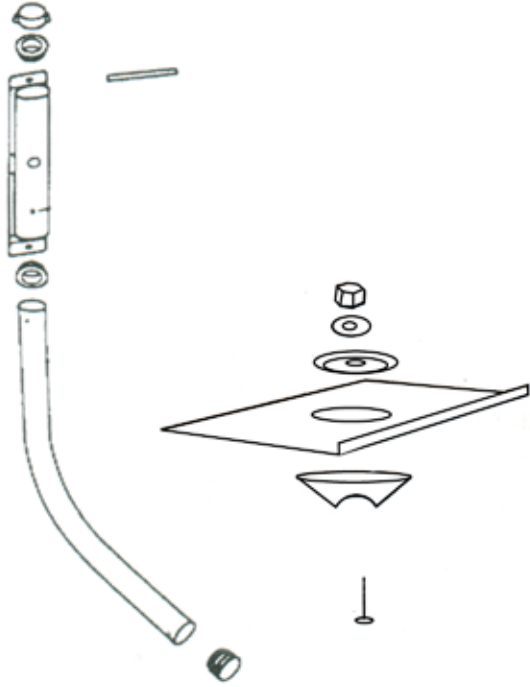
Additional Tools and Optional Hardware is needed for
concrete wall or ceiling installation.

MODELS

WMZ20 Wall mount for maximum
20" diagonal measured TV.
Maximum weight - 100 lbs.
WMZ27 Wall mount for maximum
27" diagonal measured TV.
Maximum weight - 125 lbs.
WMZ32 Wall mount for maximum
32" diagonal measured TV.
Maximum Weight 150 lbs.

COMPONENTS SUPPLIED

For Wall Mount



THE WALL AND CEILING BRACKETS

It is important to find the center of the wall stud

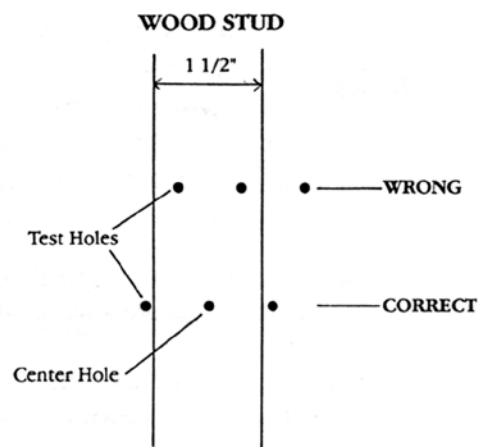
USE A STUD FINDER TO LOCATE THE STUD.

Always use the correctly sized drill bit. A bit too large will not allow for the screw to grip the wood properly. A drill bit too small may cause the wood to split when the screw is inserted. Always use a drill bit of the size recommended by the manufacturers instructions.

Most wall and ceiling studs are 2" x 4" for the wall studs and 2" x 8" for the ceiling studs. The common size for both is the 2" which is the side of the stud you are working with. Note - a piece of wood designated 2" is not actually 2". Wood is sized smaller than the actual number designation. A 2" x 4" piece of wood is actually 1 1/2" x 3 1/2". This means that you have to find the exact center of a 1 1/2" stud within your wall or ceiling.

Here is a helpful hint on how to be sure you are in the center of the stud or close to it.

After your stud finder locates the center of the stud, use a 1/16" bit and drill a hole 7/8" from each side of your center. If one hole has no resistance after you drill through the wall and the other side does have some resistance with some wood shavings on your drill bit, you are not centered. Properly centered, the center hole will have drill resistance all the way through the drilling process and the holes on each side will not, nor will they have wood shavings on the drill bit. Be careful not to drill the main wall/ceiling bracket holes right next to your test holes. Move them a little up or down. These test holes can be filled with plaster and spot painted.



WALL ATTACHMENT

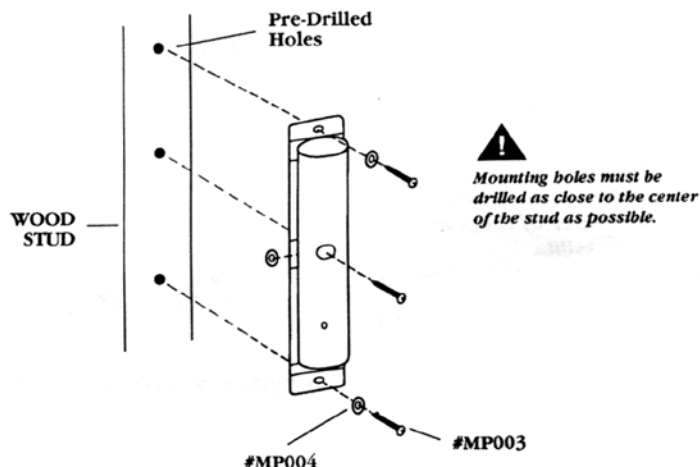
CAUTION:



DO NOT use wood screws to attach bracket to a concrete or cinder block wall. Hardware is supplied for wood stud wall only. For concrete or cinder block installation optional concrete fastener kit #MP010 must be purchased. **DO NOT** attach to a metal stud wall.

WOOD STUD WALL INSTALLATION

- Wall must be strong enough to support a 500 lb. static load.
- Use a stud finder to locate a wood stud in the area where you want to mount the T.V. bracket.
- Mark the three holes using the wall bracket as a template. Attachment should be as close to the center of the stud as possible. Use a level to ensure precise vertical alignment.
- Drill three 5/32" holes to a depth of three inches.
- Secure the wall bracket with three Phillips head screws (#MP003) and three 1/4" washers (#MP004). Recheck level vertical alignment before tightening screws.

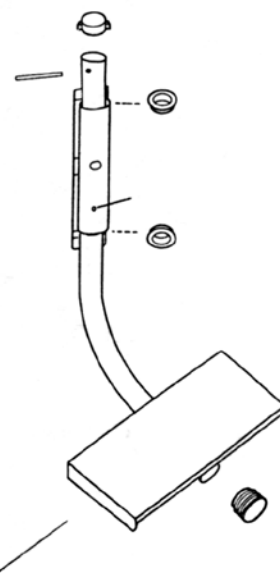


WALL MOUNT

- Insert bushings on top and bottom of wall bracket.
- Install set screw on wallbracket. *Do not tighten all the way yet.*
- Insert support arm and pre-assembled support tray into wall bracket.

- Insert pin through hole on top of support arm.
- Push top end cap over support arm and pin.

! Make sure top end cap snaps into place, fully covering pin and support arm tube.

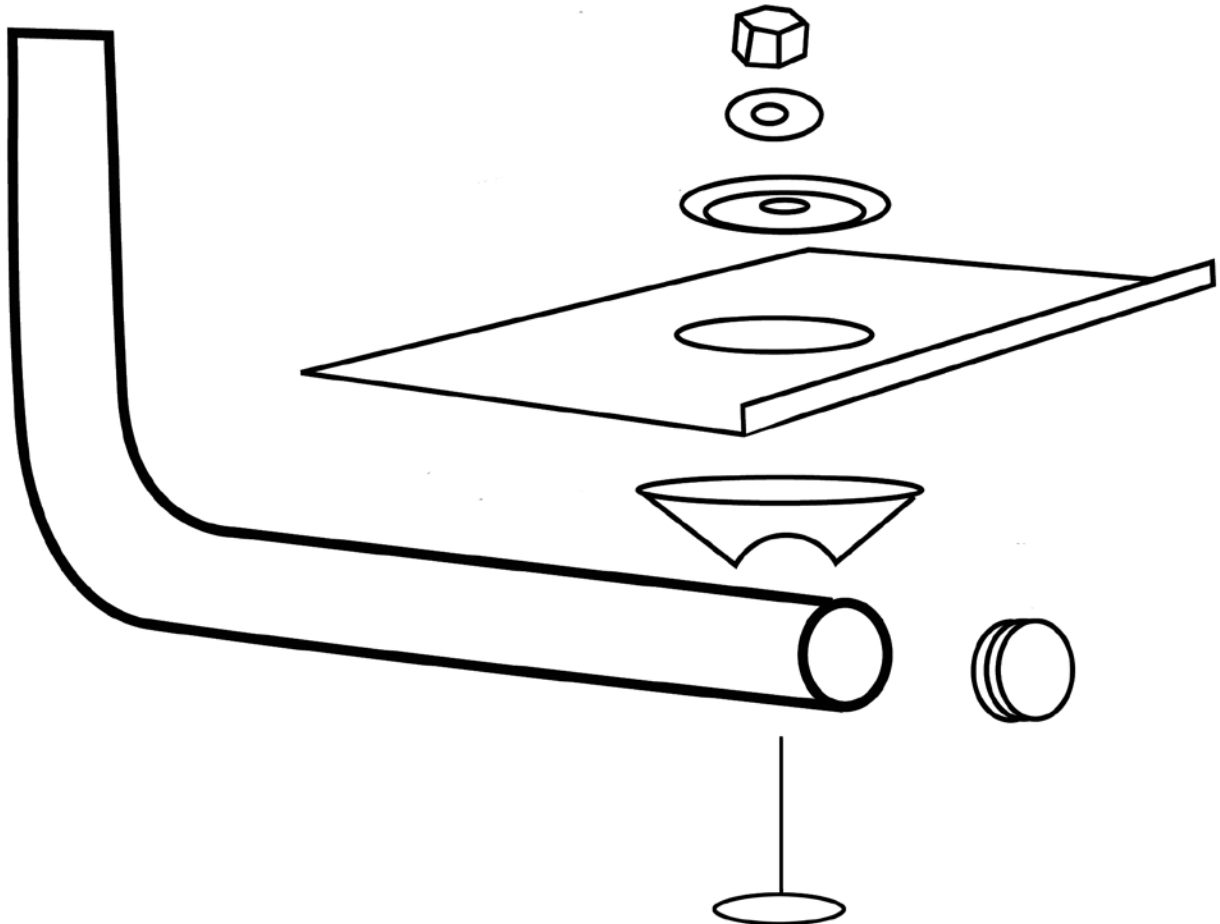


Tray portion will be assembled on page 5.

SUPPORT TRAY ASSEMBLY

Preassembly of support tray is recommended to insure all parts are included and fit properly.

- A. If optional VCR bracket is being installed, please refer to those instructions first.
- B. Use a rubber mallet to insert front tube plug into front of support arm tube.
- C. Insert round head bolt (#MP016) through support tray cover (#MP018), support tray, support bracket (#MP019) and wall bracket/support arm as shown in diagram below.
- D. Align support tray to the desired TV viewing angle. Securely fasten with 7/8" washer and nut. Make sure that nut and bolt are firmly tightened.



MOUNTING THE TV/MONITOR AND SECURITY STRAP

- A. Place the T.V./monitor on the support tray.
- B. Make sure the front edge of the T.V. is behind the front lip of the support tray.
- C. Wrap the security belt around the T.V. and insert each end into the appropriate slot on the side of the support tray and pull snug.
- D. Draw belt tight and insert spring clip (tooth side up) through slot on side of support tray. Snap spring clip into place (Note - This is a very tight fit - pliers can be used to facilitate locking of spring clip into place). Repeat for other side.
- E. Belt can be pulled tighter if necessary after spring clip is attached. Trim excess belt with scissors.
- F. To remove spring clips, apply upward pressure on the blunt end of clip with a screwdriver.

! Two people are recommended to install 20" & 27" T.V.'s or monitors.

