



WPCM-2 Dual Monitor Ceiling Mount

H. Wilson Company 555 West Taft Drive South Holland, IL 60473
 Phone (800) 245-7224 E-mail sales@hwilson.com

Qty	Description	Part
1	Ceiling Mount Bracket	M
1	Pole	P
2	Upright Bracket A (see diagram)	A
2	Upright Bracket B (see diagram)	B
2	Center Brackets	C
4	TV Brackets	D
4	Arms for 10 degree Tilt	T
4	Stud Straps	S
2	"U" Channel Brackets	U
18	1/4" Screws	
18	Washers	
8	3" Screws & Washers	
4	3" Wood Stud Phillips Head Screws	
4	Small Washers	
1	Tube Plug	
2	Plastic Collars	
1	Mounting Pole Pin	
1	Mounting Pole Cap	
1	Set Screw (10/32 x 1/4")	
1	3/8 x 2.5" long Hex Head Bolt	
1	Nylock Nut for 3/8 x 2.5" Bolt	
8	Nylock Nuts 5/16 for stud straps	

Before you begin: It is advised to have the assembled unit mounted to the ceiling by a professional. It would be helpful to have two people assemble the unit.

Although this unit is designed to hold up to 300 lbs, it is imperative that the finished unit is mounted securely to the ceiling. Ceiling installation hardware must be determined on an individual basis and therefore is NOT included. This item ships in three boxes. All three boxes contain bagged hardware.

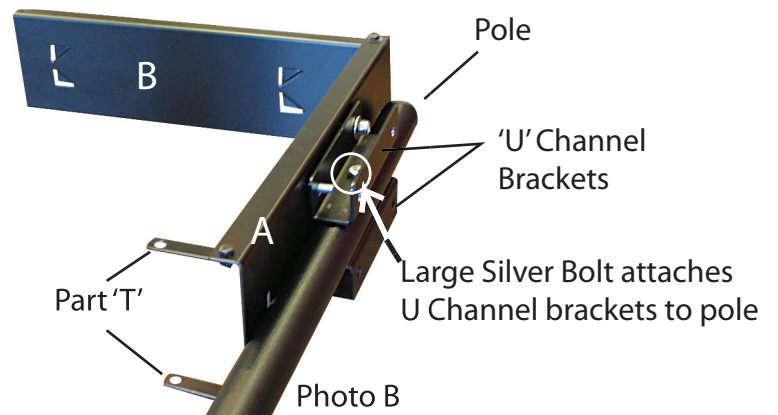
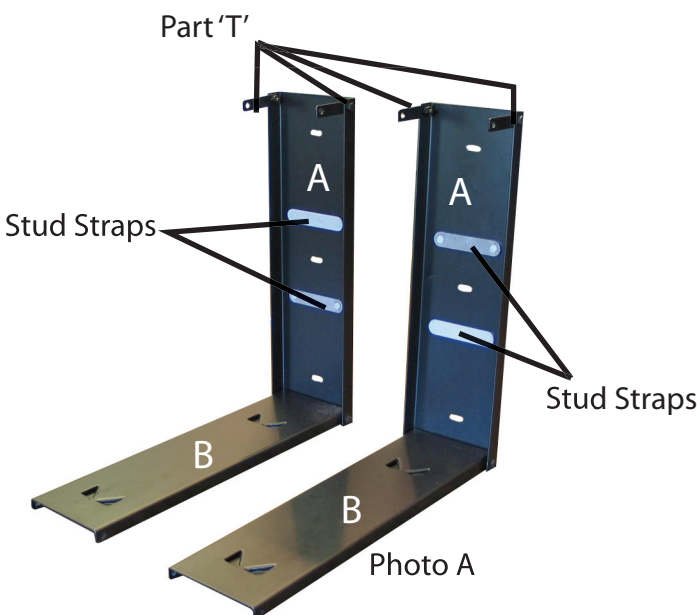
Instructions for a WPMSS are included. Please do not follow those instructions but you may find the parts diagrams helpful.

Instructions:

1. Remove all items from boxes and identify all parts.
2. Review these instructions completely before proceeding.
3. Make sure that Parts A & B are oriented in the same direction as the diagrams for A & B. Attach Part A to Part B using (2) 1/4" screws at the bottom of the mount by inserting the screws from the outside through the hole on the flange into the weld nut. (**See Part B diagram of WPMSS Instructions)

****** If you are not using the 10° tilt, proceed to Step 5. ******

4. Repeat steps 3 for second pair of brackets. Set one pair aside.
5. Determine which of the three height options to use and attach both Parts U to Part P using the silver 2 1/2" long bolt and Nylock nut. Tighten. Place black tube plug into the bottom (end with no hole) of Part P.



6. Place two stud straps through holes on part A of first bracket pair and attach first bracket pair to pole assembly using washers and Nylock nuts.
7. Place two stud straps through part A of second bracket pair and thread through other side of pole assembly making sure to allow enough room to place washers and nuts. Tighten second bracket assembly to pole assembly.
8. Determine whether you are utilizing the 10° tilt.
 - a. If you are NOT using the tilt feature, close the bracket assemblies and fasten the tops together using the 1/4" screws.
 - b. If you are utilizing tilt, Attach Part T to the top of Part A using (2) 1/4" screws, by inserting the screws from the outside through hole on flange into weld nut on the arm. Repeat on other side. Close the bracket assemblies & fasten the tops using 1/4" screws.
9. Place plastic collars into the top and bottom of receiving tube on Part M.
10. Place the pole assembly with A & B brackets attached upright and insert the top of the pole through the receiving tube on Part M (ceiling mount bracket).
11. Push the Mounting Pole Pin (located in bagged hardware) through the hole in the top of the Pole assembly. Place Mounting Pole Cap over Pin and pole being sure it seats firmly.



*****At this point you may want to "dry fit" Part C into part B to familiarize yourself with the hanging mechanism.*****

12. Attach parts D – flat side down - to back of each TV using hardware specific to your TV. (Hardware not included for this step.)
13. Attach part C with the flat side down and the notch oriented at the top to parts D using (2) two 1/4" screws and washers for each TV.
14. Install the completed ceiling mount assembly to the ceiling using the appropriate hardware and method for your particular needs.
15. With the WPCM-2 properly and safely installed to the ceiling, hang each TV by aligning Part C with the receiving tabs on Part B and gently lower into the bracket assembly.
16. Insert security screw into top of Part C, securing it to B.
17. Determine that the assembly is at the desirable position and tighten the set screw located near the bottom of the receiving tube on the ceiling mount bracket.



Pole assembly with TV Bracket attached - side view

