



H. Wilson Company
 555 West Taft Drive
 South Holland IL 60473
 Phone: (800) 245-7224
 sales@hwilson.com

ASSEMBLY INSTRUCTIONS

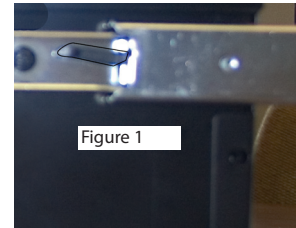
Tuffy Seat With Drawer

DRAWER PARTS LIST:

1. (1) Left Bracket
2. (1) Right Bracket
3. (2) Side panels (L & R)
4. (1) Front Panel w/handle
5. (1) back panel
6. (1) Bottom Panel
7. (2) Extension Rails & Screws
8. (17) Drawer Screws

CART PARTS LIST:

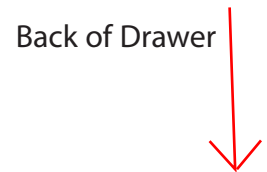
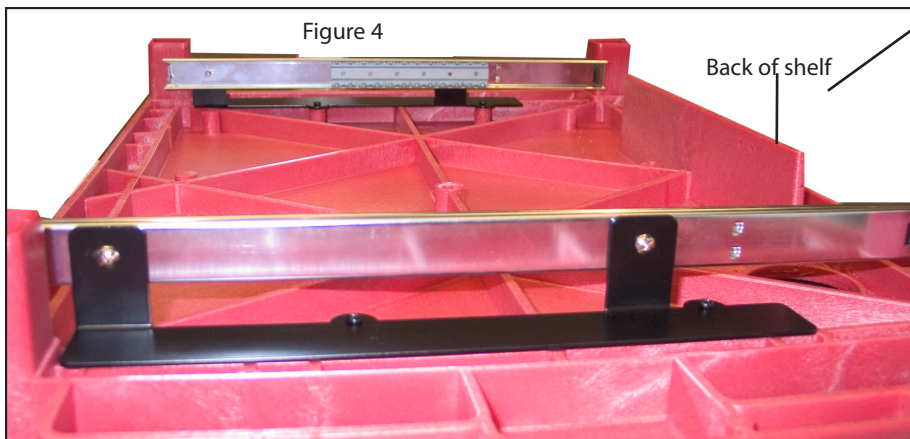
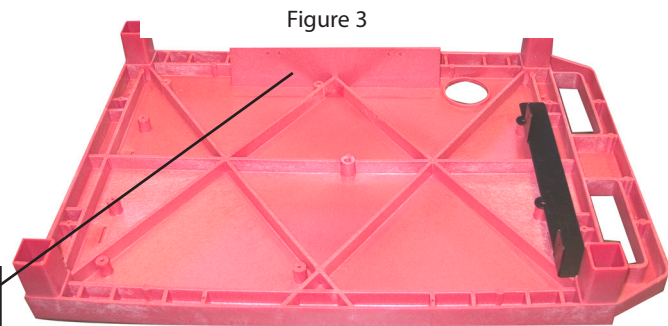
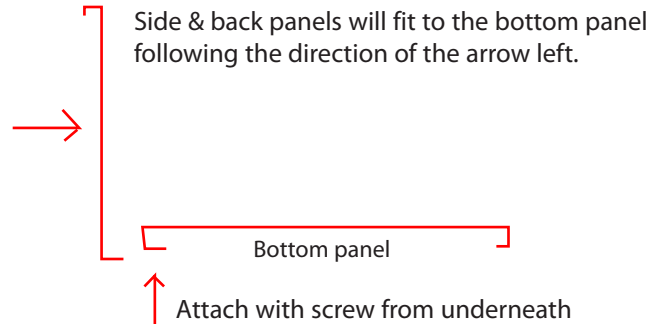
1. (1) shelf with handle
2. (1) bottom shelf with caster inserts
3. (4) legs
4. (4) 4" casters, two with brake



*****READ INSTRUCTIONS BEFORE BEGINNING ASSEMBLY**
*****USE POWER DRILL IF POSSIBLE**

THE EXTENSION RAIL NEEDS TO BE DISASSEMBLED FOR INSTALLATION. Extending the rails as far as possible & push the black lever right to left, then pull the two pieces apart. (Figure 1)

- STEP 1: Place bottom of drawer on flat surface, flat side up.
 STEP2: Attach back panel to bottom panel matching the wider lip of the panel to the bottom and the thinner lip is facing what will be the outside of the drawer. (Diagram right). Attach side and bottom panel from underneath with screws (direction of lower arrow shown right)
 STEP 3: Attach brackets to underside of top shelf as shown in figure 3 (right)
 STEP 4: Attach 1/2 of rail assembly without the black lever to brackets as shown in figure 4 below.



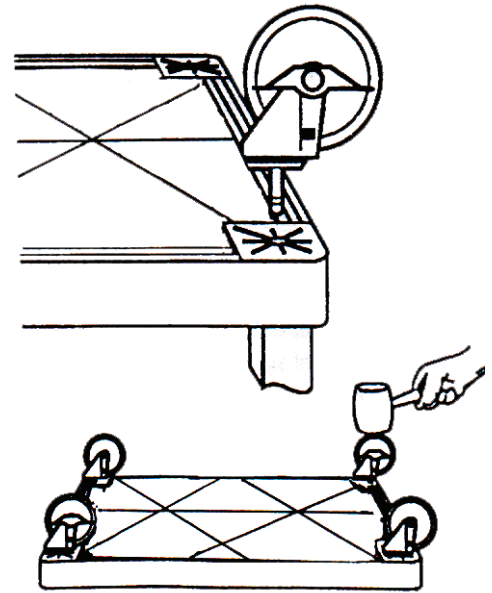
- STEP 5 - Attach 1/2 of rails with black lever to assembled drawer as shown right.
 STEP 6 - Fit rails together to slide drawer underneath shelf

Step 6. Place bottom shelf with the caster sockets facing up on a solid surface. Insert casters by hand, (casters with brake should be on the same 18" long side). Fully seat casters with mallet if necessary by tapping gently.

Step 7. Turn over so casters are on the solid surface. Place legs over shelf bosses, one at a time and seat as far as possible by hand. Fully seat with rubber mallet if necessary.

Step 8. Take top shelf assembly and place bosses into the holes at the top of the legs. Seat as far as possible by hand, tapping with a mallet if needed to fully seat.

Step 9. Affix velcro to the 4 corners of the underside of the cushion and to the 4 corners of the top of the top shelf, so that they will match up. Place cushion on top of shelf and press firmly in all 4 corners.



Finished WT16SC