


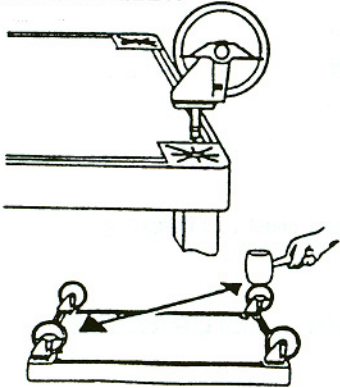
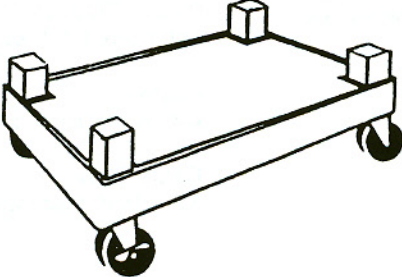
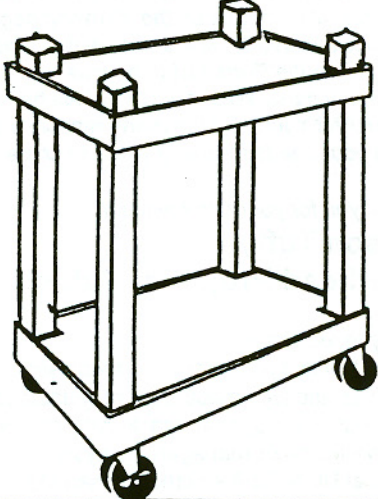
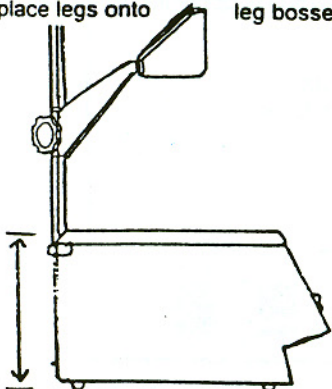
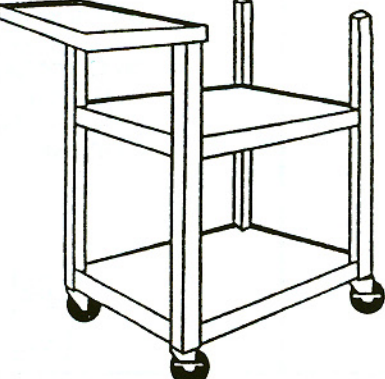
*Note - please follow the assembly instructions that came with the electrical assembly


FOR YOUR CONVENIENCE...

The **ELECTRICAL ASSEMBLY** should be attached to the middle shelf before beginning the regular assembly of your **Tuffy Overhead Projector Table**.

Turn the middle shelf, bottom side up, and follow the instructions found in the sealed **ELECTRICAL ASSEMBLY** packet.

If you ordered your **Tuffy Overhead Projector Table** without an **ELECTRICAL ASSEMBLY**, proceed with regular assembly of table.

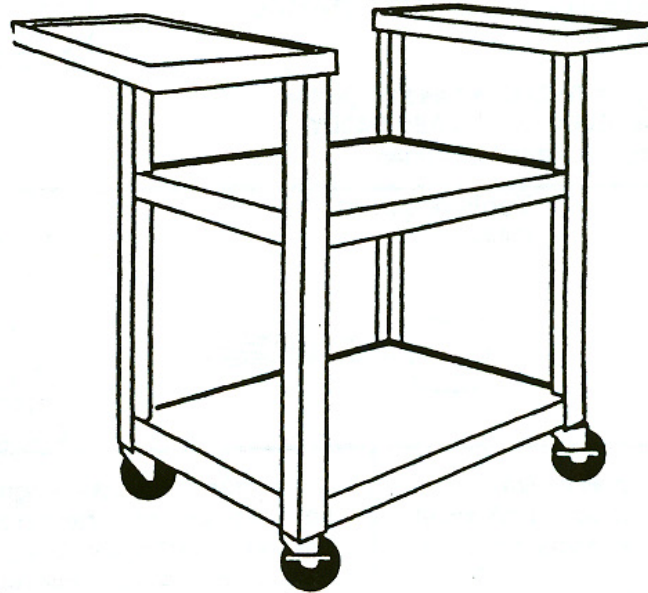
| | | |
|---|---|--|
| <p>Tools required</p> <p>Rubber mallet</p> <p>(Optional metal hammer with block of wood to cushion impact)</p>  | | |
| <p>1. Place bottom shelf on firm surface, underside up. Firmly insert Casters into caster sockets found in corners of bottom shelf. NOTE: CASTERS MUST BE FULLY SEATED. POUND FIRMLY WITH RUBBER Mallet.</p>  | <p>2. Turn shelf with casters right side up. Place locking casters in lock position. Insert legs onto leg bosses. Pound firmly with rubber mallet.</p>  | <p>3. Position middle shelf, right side up, onto legs. Using rubber mallet, firmly seat shelf onto legs.</p>  |
| <p>4. To determine the leg size to use in this step, measure the chassis height of the overhead projector to be used with this table. The leg size closest to this height is recommended. After determining the desired height, place legs onto leg bosses.</p>  | <p>5. Position side shelves onto legs. Using rubber mallet, firmly seat legs into shelves.</p>  | <p>Note: The parts of your Tuffy Overhead Projector Table were engineered for a tight fit and permanent assembly. Disassembly is discouraged. Shelves may have a slight bow. This bow is designed into the mold to create a tighter fit and will straighten after assembly.</p> |



H. Wilson Co.
555 West Toff Drive
South Holland, IL 60473
Toll-Free Fax 800-245-8224
Toll-Free Phone 800-245-7224

Assembly Instructions:

WILSON TUFFY OVERHEAD PROJECTOR TABLES



Congratulations!

You have selected an excellent Wilson product. The assembly instructions on the following pages should be carefully observed. Please note which model you have and refer to the Parts List to be sure you have all the necessary parts. Wilson Tuffy Tables have a **LIFETIME WARRANTY** and, for the many reasons listed below, will serve your needs for many years to come.

Thank you for your confidence in

Wilson Tuffy Overhead Projector Tables

- *Easy to assemble
- *Durable injection molded thermoplastic
- *Shelves and legs made from recyclable material
- *Won't chip, warp, dent, crack, rust, or peel
- *Innovative cable management system
- *3 outlet UL or CSA electrical assembly
- *Lifetime Warranty

Shelf and Leg Size

Black 18"D X 24"W shelves
with black 1 1/2" square legs

Casters

4-4" swivel casters (2 with locking brakes)

Cable Clips

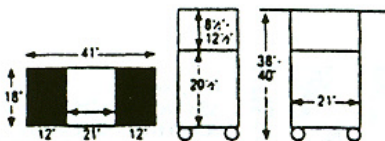
Standard: Black with black shelves and black legs

TUFFY OVERHEAD PROJECTOR TABLES

| | | |
|---------|--------------|---------|
| WTOH40E | 38"/40"H | 30 lbs. |
| WTOH30E | 29"/32 1/2"H | 29 lbs. |

Parts List For: WTOH40E

- (2) Overhead Shelves (12"W x 18"D)
- (1) Middle Shelf (24"W x 18"D w/ 8 leg bosses)
- (1) Bottom Shelf (24"W x 18"D w/caster inserts)
- (4) 8 1/2" Legs
- (4) 12 1/2" Legs
- (4) 20 1/2" Legs
- (3) Cable Management Clips
- (2) 4" Swivel Casters with Brakes
- (2) 4" Swivel Casters



Parts List For: WTOH30E

- (2) Overhead Shelves (12"W x 18"D)
- (1) Middle Shelf (24"W x 18"D w/ 8 leg bosses)
- (1) Bottom Shelf (24"W x 18"D w/caster inserts)
- (4) 8 1/2" Legs
- (8) 12 1/2" Legs
- (3) Cable Management Clips
- (2) 4" Swivel Casters with Brakes
- (2) 4" Swivel Casters

