



## Instructions for 30 Gallon Leg Bracket and Pole Kit

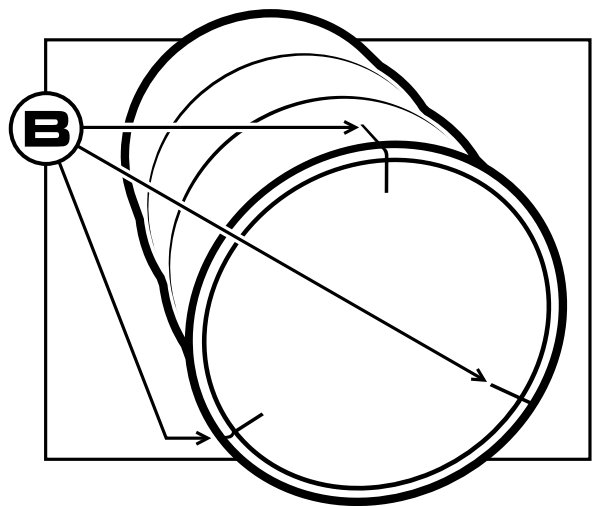
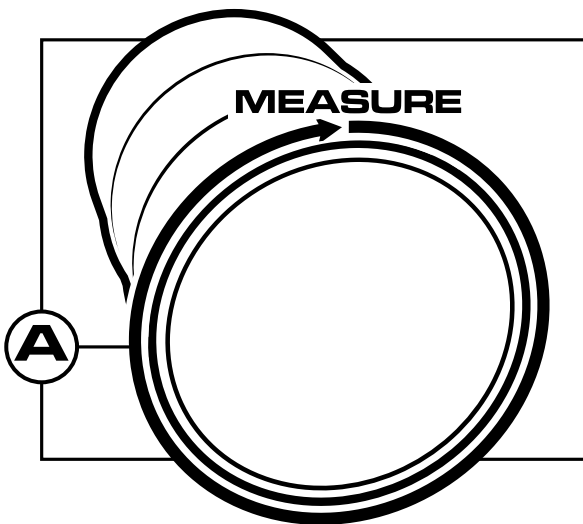
**THANK YOU** for your purchase of the **Leg Bracket and Pole Kit**, a top quality Moultrie product. Please read this sheet before assembling the unit. If you should have any questions about this or any other Moultrie product, please contact us using the information at the bottom of the page. To help us to better serve you, please complete and mail the enclosed Warranty Card.

### I MEASURE, MARK AND DRILL HOLES

**NOTE:** If you purchased a Moultrie Drum, go to II

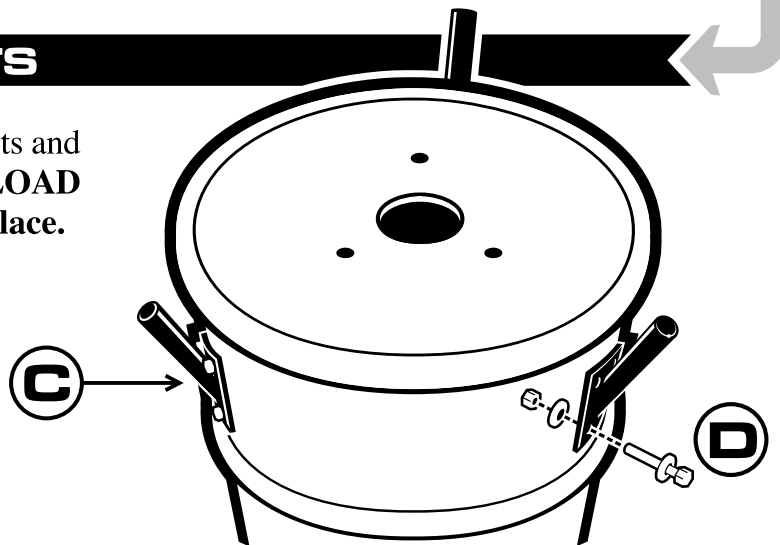
*NOTE: A STEEL DRUM IS RECOMMENDED*

- 1 Measure the distance **(A)** around the bottom of the **Drum**. Divide that distance by 3, marking the drum in those 3 locations **(B)**. Using a marker or pencil, mark the centerline locations for all three **Leg Brackets**.
- 2 Using your 3 marks as centerlines, position **Leg Brackets** on the side of the **Drum** (as shown in **(C)**, below). Mark and drill 4 holes per bracket using a 3/8" drill bit.



### II INSTALL LEG BRACKETS

Bolt **Leg Brackets** to **Drum** using nuts, bolts and washers provided **(D)**. **NOTE: DO NOT LOAD FEEDER** until it is standing up and in place.



### III ASSEMBLE POLES & STAND FEEDER UP

Using four **Poles** per leg, install the poles inside each of the **Leg Brackets**. With the **Drum** on the side and two **Poles** against the ground, carefully stand up Feeder assembly. To prevent tipping, the Feeder must be placed on a level location.



**DO NOT EXCEED 250 POUNDS OF FEED**



Our Service Department will gladly answer any questions you have.  
Call 205-664-6700 Monday – Friday, 8:00 AM to 5:00 PM CST.  
[www.moultriefeders.com](http://www.moultriefeders.com)