



Instructions for Spot Sprayer

THANK YOU for your purchase of the Moultrie Spot Sprayer. Please read this sheet before assembling the unit. If you should have any questions about this product or any other Moultrie product, please contact us using the information on the back of this sheet. To help us to better serve you, please complete and mail the enclosed Registration Card.

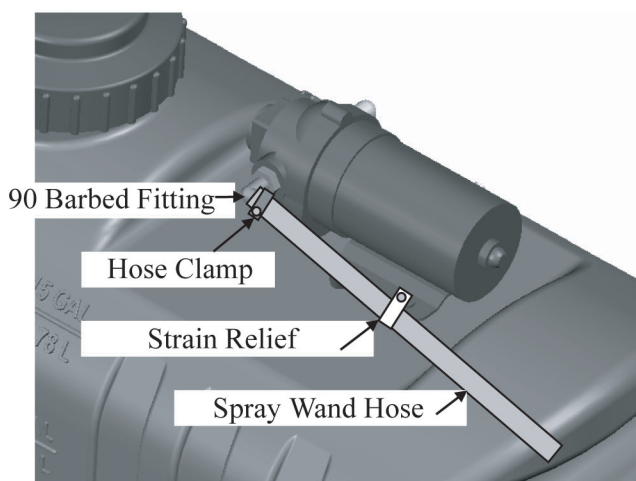
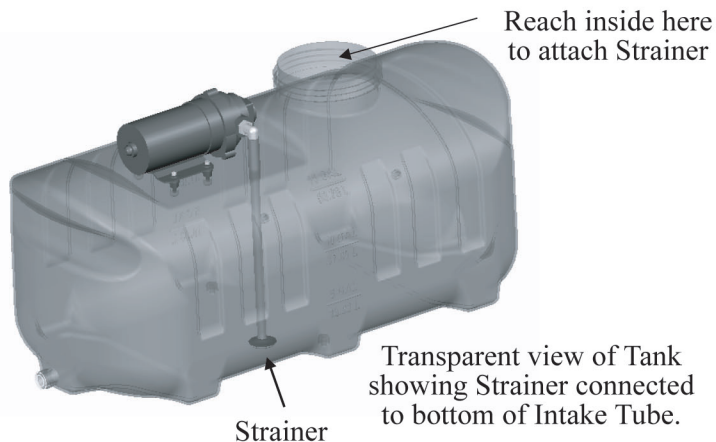
I ASSEMBLING UNIT

1 Attach Intake Tube to Pump by rotating it in a clockwise direction as shown. When Intake Tube gets snug, stop rotation when tube is pointing downward as shown.



2 Slide Intake Tube into the hole on top of Tank. When Intake Tube is slid approximately halfway down, reach inside tank and push provided Strainer onto the bottom of Intake Tube as shown below. Align Pump with four holes on top of Tank.

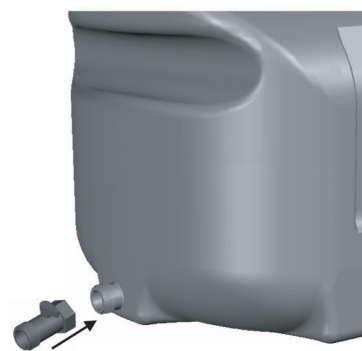
Place provided Strain Relief around Spray Wand Hose approximately four inches from the connection to the pump. Slide provided Screw through hole in Strain Relief and into mounting hole on pump as shown. Secure Pump to Tank using provided Screws.



3 Rotate the 90 Degree Barbed Fitting onto the Pump Outlet. Slide the provided Hose Clamp over the Hose from the Spray Wand. Slide the Hose from the Spray Wand over the Barbed Fitting and secure using Hose Clamp.

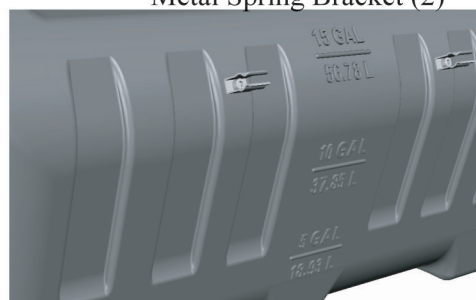
4 Screw provided Shut-off valve onto Drain Outlet on lower side of tank. Assure Shut-Off valve is in the off position.

Shut-Off Valve shown in closed position



5 Use provided Screws to secure provided Metal Spring Brackets onto side of Tank as shown. These Brackets will be used for holding the Spray Wand.

Metal Spring Bracket (2)



6 Connect the Electrical Wire Harness to the Pump. Make sure the Electrical Harness's In-Line Switch is in the "O" position and plug the Electrical Wire Harness into the ATV's power outlet.

7 Secure Sprayer to ATV carrier rack using ratchet straps (not included).

II OPERATING INSTRUCTIONS



Check the vehicle load rating before using this sprayer. Use extreme caution when operating vehicle due to weight of sprayer when tank is full.

The pump draws solution from the tank, through the strainer and forces it out to the Spray Wand. The Spray Wand is enabled by squeezing the lever.

- 1** FILL: Open large lid on top and pour desired solution into tank. If using a mix, carefully read the chemical label to determine handling, mixture, and disposal.

Consider weather and terrain conditions when setting the sprayer. Do not spray on windy days. Wear protective clothing if necessary.

- 2** APPLY POWER: Plug the lighter plug into your ATV's accessory receptacle and turn the in-line power switch to the "1" position.

III MAINTENANCE AND STORAGE



Some chemicals can damage the pump assembly if exposed over an extended period of time. Always flush the pump with water after use. Follow chemical manufacturers instructions on disposal of all waste water from the sprayer.

AFTER-USE CLEANING: Fill the sprayer part way with water, start the sprayer and allow clear water to be pumped through the nozzles and wand. Refill the tank about half full with plain water and use a chemical neutralizer such as Nutra-Sol or equivalent and repeat cleaning instructions above. Follow the chemical manufacturer's disposal instructions of all wash or rinsing water.

WINTER STORAGE: Drain all water out of sprayer.



Our Service Department will gladly answer any questions you have. Call 205-664-6700 or 800-653-3334, Monday - Friday, 8:00 AM to 5:00 PM CST. www.moultreiefeeders.com